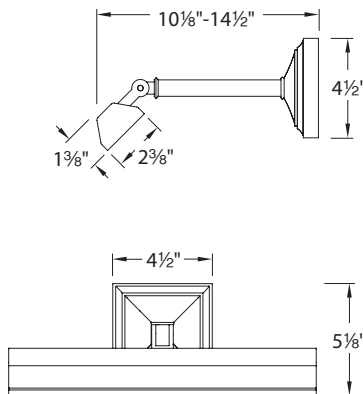


HEMMINGWAY - model: PL-LED

LEDme® Picture Light

WAC LIGHTING

Responsible Lighting®



Fixture Type:

Catalog Number:

Project:

Location:

PRODUCT DESCRIPTION

Recognized by the Lighting for Tomorrow LED luminaire design competition, Hemmingway illuminates fine artwork utilizing the optimal spectrum of colors. Unlike conventional luminaires, these LED picture lights provide full spectrum illumination without damaging infrared and ultraviolet rays. Available in four designer finishes and two sizes to complement upscale art framing.

FEATURES

- Chronophoton™ Technology preserves artwork while providing vibrant color rendering
- Head rotates 90° up or down and extends out 14" from mounting surface
- Portable Versions are CEC Title 20 compliant
- Replaceable LED module
- For portable models, 8 foot cord & plug with 18" wire cover in matching finish included
- 90 CRI
- 70,000 hour rated life

SPECIFICATIONS

Construction: Aluminum with frosted glass lens.

Power: Direct wiring, no remote driver needed. 120V input / 24V output.

Light Source: 24 (14") or 48 (24") 2700K high power LEDs.

Mounting: Hard wired or plug-in models available.

Dimming: Dimmable to 10% with electronic low voltage (ELV) dimmer.

Finish: Antique Nickel (AN), Burnished Brass (BB), Polished Nickel (PN) and Rubbed Bronze (RB).

Standards: ETL, cETL, CSA Listed.

FIXTURE PERFORMANCE

Model #	Watt	LED Lumens	Delivered Lumens	Efficacy
PL-LED14-27	9.4	595	302	32 Lm/W
PL-LED24-27	16.9	1186	605	36 Lm/W

ORDER NUMBER

	Model	Length	Finish	
Hard Wired	PL-LED	14-27 14 1/16"	AN <i>Antique Nickel</i> BB <i>Burnished Brass</i> PN <i>Polished Nickel</i> RB <i>Rubbed Bronze</i>	
		24-27 24 7/8"		
	Portable, Title 20	PL-LED	14P-27 14 1/16"	AN <i>Antique Nickel</i> BB <i>Burnished Brass</i> PN <i>Polished Nickel</i> RB <i>Rubbed Bronze</i>
			24P-27 24 7/8"	

FINISHES



PL-LED -

Example: **PL-LED14-27-RB**

WAC Lighting
www.waclighting.com
Phone (800) 526.2588 • Fax (800) 526.2585

Headquarters/Eastern Distribution Center
44 Harbor Park Drive • Port Washington, NY 11050
Phone (516) 515.5000 • Fax (516) 515.5050

Western Distribution Center
1750 Archibald Avenue • Ontario, CA 91760
Phone (800) 526.2588 • Fax (800) 526.2585