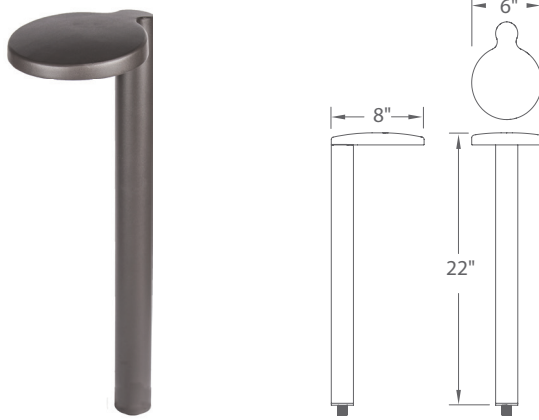


# ECLIPSE LED PATH LIGHT

6031

# WAC

## LANDSCAPE LIGHTING



Fixture Type:

Catalog Number:

Project: \_\_\_\_\_

Location: \_\_\_\_\_

### PRODUCT DESCRIPTION

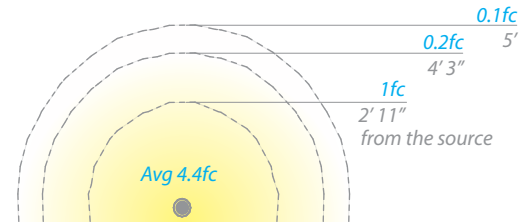
Sturdy side mount design works well in applications where directional illumination is desired

### SPECIFICATIONS

**Input:** 9-15VAC (Transformer is required)  
**Power:** 2.9W / 4.7VA  
**Brightness:** 125 lm  
**CRI:** 90+  
**Rated Life:** 60,000 hours

### FEATURES

- IP66 rated, Protected against powerful water jets
- Factory sealed water tight fixtures
- Translucent lens provides uniform light distribution
- Solid diecast corrosion resistant aluminum alloy
- Recommended spacing for installation: Residential: 8 to 10ft; Commercial: 5 to 7ft
- 6 foot lead wire, and direct burial gel filled wire nuts are included
- Maintains constant lumen output against voltage drop
- UL & cUL 1838 Listed
- **Guardian mount accessory included in Bronze on Brass;**  
**Mounting stake accessory included in Bronze and Black on Aluminum**



### ORDERING NUMBER

		Color Temp	Finish
<b>6031</b>	<i>Eclipse</i>	<b>27</b> 2700K Warm White	<b>BBR</b> Bronze on Brass
		<b>30</b> 3000K Pure White	<b>BZ</b> Bronze on Aluminum <b>BK</b> Black on Aluminum

**6031-\_\_\_BZ**

Example: **6031-30BZ**

wacighting.com  
 Phone (800) 526.2588  
 Fax (800) 526.2585

Headquarters/Eastern Distribution Center  
 44 Harbor Park Drive  
 Port Washington, NY 11050

Central Distribution Center  
 1600 Distribution Ct  
 Lithia Springs, GA 30122

Western Distribution Center  
 1750 Archibald Avenue  
 Ontario, CA 91760

# ECLIPSE LED PATH LIGHT

6031

# WAC

## LANDSCAPE LIGHTING

### Surface Mount Flange/Stake



Includes three 7 inch threaded stainless steel stabilizing pins for ground mounting or surface mounts with four screws or over a junction box

**5000-SCP-BZ**  
Bronze on Aluminum

### Additional Mounting Stake



**9000-ST9-BK**  
Durable PVC stake



### Guardian Mount

Heavy duty stainless steel spike to position fixture.  
Formed from a single piece of metal

**9000-SP9-BZ**  
Stainless Steel

### Magnetic Transformers

Stainless Steel, 12-15V output, IP65 rated, UL 1838 listed  
See transformer spec sheet for details and its accessories

**9075-TRN-SS**  
75W Max

**9150-TRN-SS**  
150W Max

**9300-TRN-SS**  
300W Max

**9600-TRN-SS**  
600W Max



### TESTED MAGNETIC LOW VOLTAGE (MLV) DIMMERS

Luminaire	Dimmer					
	Manufacturer	Family	Model	Power Rating	Range*	Note
6031	Lutron	Diva	DVLV-600	600W	33% - 100%	Output maxes at 50% dimming level
		Skylark	SLV-600P	600W	28% - 100%	Output maxes at 50% dimming level
		Skylark	S-10P	1000W		Not recommended

\*Low end of this range is determined by output current which may not directly translate to the perceived light output

WAC Lighting fixtures are compatible with a variety of dimmers. For your convenience we have included a compatibility chart showing dimmers which have been tested with our products. The recommended list below is based upon testing conducted in a lab, and the results can vary in certain field applications due to a number of factors. Exclusion from the list does not imply incompatibility, just that it has not been tested by WAC Lighting. Please reference the dimmer manufacturer's instructions for installation, or contact a WAC lighting professional at 800-526-2588.

waclighting.com  
Phone (800) 526.2588  
Fax (800) 526.2585

Headquarters/Eastern Distribution Center  
44 Harbor Park Drive  
Port Washington, NY 11050

Central Distribution Center  
1600 Distribution Ct  
Lithia Springs, GA 30122

Western Distribution Center  
1750 Archibald Avenue  
Ontario, CA 91760

WAC Lighting retains the right to modify the design of our products at any time as part of the company's continuous improvement program.