

Artis - Surface-mounted Washbasin

Features

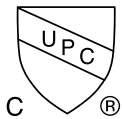
- Surface-mounted Washbasin
- 16 1/8" x 16 1/8" (410 x 410 mm)
- Without faucet hole
- Without overflow
- Centered drain

Optional CeramicPlus - CeramicPlus is a particularly easy-care and dirt-repellent surface. With ceramicplus water immediately forms droplets that simply flow off the surface, taking the dissolved dirt and limescale with them.



Codes / Standard applicable

- Meets and exceeds ASME A112.19.2/CSA B45.1 ASME A112.19.14
- Code Compliance: UPC, IPC, NSPC, NPC Canada and others
- Certifications: IAPMO(cUPC), State of Massachusetts



Product Specification

This surface-mounted washbasin is made of finefire clay. The surface-mounted washbasin is 16 1/8" x 16 1/8" (410 x 410 mm). The product is without overflow. The surface-mounted washbasin is Villeroy & Boch model 4178U4.

Components

Included	
4104 U1 XX	Vanity washbasin 47", fastening set included
9223 00 61	Tailpiece Drain Assembly
Required	
9223 10 61	Pop-up assembly, incl. extended ball rod for pop-up waste

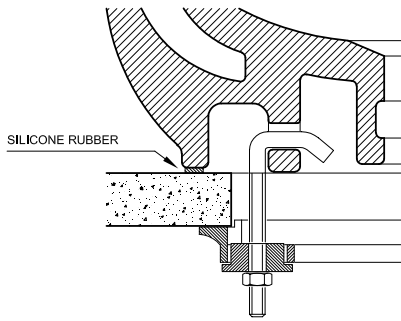


Colors - XX

- R1 = White Alpin CeramicPlus
- BCT0 = Powder
- BCT1 = Ballet
- BCT2 = Rose
- BCT3 = Macaroon
- BCT4 = Lemon
- BCT5 = Mustard
- BCT6 = Full Moon
- BCT7 = French Linen
- BCT8 = Coal Black
- BCW0 = Fog
- BCW1 = Frost
- BCW2 = Ocean
- BCW3 = Mint
- BCW4 = Sencha
- BCW5 = Cedar

Installation Notes

Install this product according to the installation manual.



Technical Information

Material	Finefire clay
Warranty	One year limited warranty
Waste diameter	1 1/4" O.D.
Basin dimensions	16 1/8" x 16 1/8" (410 x 410 mm)
Shipping dimensions	16 3/8" x 16 3/8" x 8 1/4" (415 x 415 x 210 mm)
Shipping weight	9.6 kg
Net weight	8.1 kg

Technical Drawing

