

## SOU330X1

### classic

76CM (30") "Classic" Electric Multifunction Oven Stainless Steel

EAN13: 8017709204501

#### Classic design

Multifunction oven with 11 cooking modes

Finger-print proof stainless steel

Ergonomic control knobs

#### Electronic display

Electronic temperature control

#### True European Double convection

Adjustable temperature 87 - 554° F

Fast preheat cycle (8 to 12 minutes)

#### Self-Cleaning

Door lock during self cleaning

Automated oven switch-off when door is open

6 rack positions

Double-insulated cavity

Air-cooled door

Safe-touch cooling

Triple-glazed removable door

2 Halogen lights (3 x 20 W)

Oven capacity: 4.34 cu ft

Interior dimensions: W 24" x H 16,15" x D 16,34"

Voltage rating: 240/208V 60 Hz

Connected load (nominal power): 240/208V - 3,535 W

Amps @ 240/208V: 15.6 Amps

#### Accessories Included:

2 grids with back and side stops

1 insert grid

1 enamel tray

1 telescopic guide

1 meat probe



### Functions




**Main Oven**

**Convection broil:**

The fan reduces the fierce heat from the broiler, providing an excellent method of grilling various foods, chops, steaks, sausages etc. giving even browning and heat distribution, without drying out the food. The top two levels recommended for use, and the lower part of the oven can be used to keep items warm at the same time, an excellent facility when cooking a grilled breakfast.


**Bake:**

Ideal for slow baked cakes and casseroles. This traditional static heat will ensure food remains moist when cooked for longer periods of time.


**Broiler:**

For rapid cooking and browning of foods. Best results can be obtained by using the top shelf for small items, the lower shelves for larger ones, such as chops or sausages. For half grill heat is generated only at the centre of the element, so is ideal for smaller quantities.


**Lower heating element only:**

Ideal for foods that require extra base temperature without browning, e.g. pastry dishes, pizza. Also suitable for slow cooking of stews and casseroles. For Gas oven: Bake: traditional convection cooking.


**Convection Bake:**

The elements combined with the fan aim to provide more uniform heat, a similar method to conventional cooking, so pre-heat is required. Most suitable for items requiring slow cooking methods.


**Convection broil:**

The fan reduces the fierce heat from the broiler, providing an excellent method of grilling various foods, chops, steaks, sausages etc. giving even browning and heat distribution, without drying out the food. The top two levels recommended for use, and the lower part of the oven can be used to keep items warm at the same time, an excellent facility when cooking a grilled breakfast. Half broiler (centre portion only) is ideal for small quantities of food.


**Convection:**

This combination completes cooking more quickly of foods that are ready on the surface, but require more cooking inside, without further browning. For Gas Oven: Convection with lower elements: The fan is added to the gas burner to distribute the heat quickly and evenly throughout the oven cavity, avoiding flavour transfer when cooking a number of different dishes at the same time.


**European convection:**

Hot air fan cooking that provides quick, multi layered cooking with excellent browning results. Due to the effective circulation of hot air, there is no flavour transfer between foods. Delicate and strongly fragranced foods can be cooked at the same time.

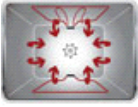

**Turbo:**

Facilitates the cooking of large joints, due to heat coming from all three elements. Similar to rotisserie cooking the meat is sealed, and juices are held within the joint of meat. The results are both tender and juicy.


**Defrost:**

The circulation of air at room temperature enables quicker thawing of frozen food, (without the use of any heat). Ideal for use prior to cooking of readymade dishes, or cream filled products etc.





**Pizza function:**

The simultaneous operation of these three elements ensures an optimum cooking facility, ideal not only for pizza but also for cookies, quiches and flans.

---



**C**

**Self-cleaning system:**

The self cleaning system cleans at a maximum of 864°F destroying all the dirt deposits inside the oven.

---

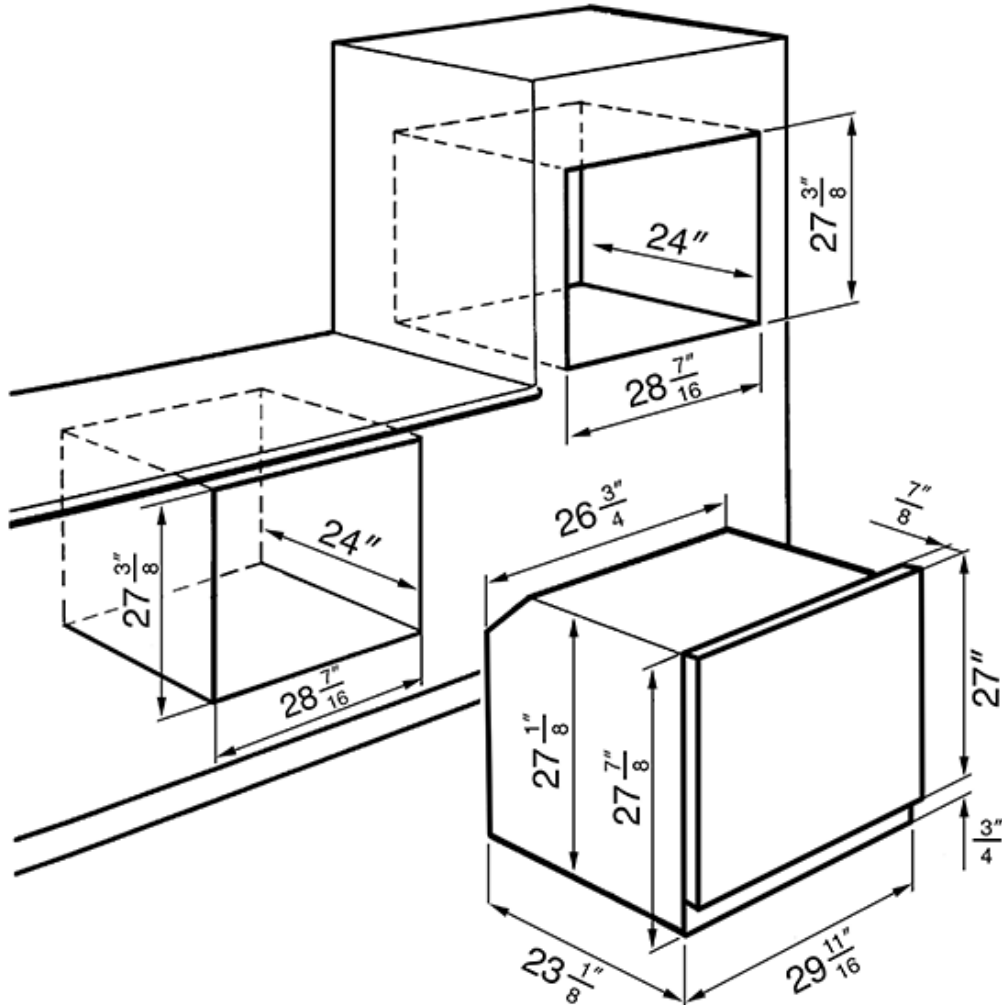
**SMEG U.S.A. INC.  
A&D BUILDING  
150 EAST 58th STREET, 7th FLOOR  
NEW YORK, NY, 10155  
Tel. +1 212 265 5378  
Fax +1 212 265 5945**



SOU330X1

classic

electric multifunction  
30"  
stainless steel



SMEG U.S.A. INC.  
A&D BUILDING  
150 EAST 58th STREET, 7th FLOOR  
NEW YORK, NY, 10155  
Tel. +1 212 265 5378  
Fax +1 212 265 5945