

IMPORTANT SAFETY INSTRUCTIONS

How to read the User Manual	3
For this appliance	8
Purpose of the appliance	9
Disposal	9
This user manual	10
Manufacturer's liability	10
Identification plate	10
Energy label	10
To save energy	10
Light sources	10

DESCRIPTION

General description	11
Control panel	11
Accessories	12

USE

Preliminary operations	13
First use	13
Temperature setting	13

Temperature format	14
Super cold function	14
Alarm for door open	14
Using the accessories	14
Ventilation	15
Using the refrigerator compartment	15
Using the freezer compartment	16
Noises during operation	16
Heated front surface	16
Turning the appliance off	16
Storage advice	17

CLEANING AND MAINTENANCE

Cleaning the appliance	17
Defrosting	17
Interior lighting	17
What to do if...	18

INSTALLATION

Electrical connection	18
Hydraulic connection	19
Positioning	21

We advise you to read this manual carefully, which contains all the instructions for maintaining the appliance's aesthetic and functional qualities. For further information on the product: www.smeg.com

IMPORTANT SAFETY INSTRUCTIONS

WARNING: If the instructions in this manual are not carefully followed, fire or explosion may occur resulting in property damage, personal injury or death.

How to read the User Manual

This User Manual uses the following definitions of terms:

DANGER

- failure to follow instructions immediately may result in death or serious injury.

WARNING

- failure to follow instructions may result in death or serious injury.

PRECAUTION

- indicates a potentially hazardous situation which, if not avoided, may result in minor to moderate injury.

NOTE: important information

Notice: Proposition 65 of the State of California



This product may expose you to chemicals including vinyl chloride, which is known to the State of California to cause cancer and prenatal defects or other reproductive harm. See www.P65Warnings.ca.gov for more information.

Injury to persons



WARNING

- Read all instructions.
- This appliance is not intended for use by persons (including children) with reduced physical, sensory or mental capabilities, or lack of experience and knowledge, unless they have been given supervision or instruction concerning use of the appliance by a person responsible for their safety.
- Do not leave children unattended: Children should not be left alone or unattended in the area where the appliance is used.
- Never allow children to sit or stand on any part of the appliance.
- Never allow children to play with the refrigerator and have them use the drawers, shelves and other parts of the appliance only as described in this manual.
- Never attempt to extinguish flames/fire with water. Turn off the appliance and cover the flame with a fire-proof blanket or a dry or foam fire-extinguisher.
- Do not attempt to repair, disassemble, or modify the appliance yourself.
- Do not damage the coolant circuit.
- Do not use this appliance if the power plug or cord are damaged.
- CAUTION: do not use electrical equipment inside the food storage compartments of the appliance unless it is of the type recommended by the manufacturer.
- Use a non-flammable cleaner.
- Do not climb, stand or stick to refrigerator shelves. This could result in serious injury or damage to the appliance.
- Cleaning and maintenance operations to be performed by the operator should not be carried out by children without supervision.
- Do not modify the appliance.
- Do not insert sharp metal objects (knives and utensils) into the slots.
- Do not touch (especially with wet hands) or place in your mouth a frozen product taken directly from the freezer. This can cause burns due to very low temperatures.
- Do not store explosive or

flammable substances, such as petrol, in or near this refrigerator or use petrol or other flammable vapors or liquids in the vicinity of this or any other appliance.

- Do not store or use gasoline or other flammable vapors, liquids, or materials near this or any other appliance.
- Bottles with high alcohol content should be tightly closed and upright.
- Organic, acidic substances and ethereal oils can corrode plastic surfaces and seals if in contact for a long time.
- Before cleaning or servicing, turn off the appliance and disconnect it from the power supply.
- Do not insert the plug into the electrical outlet with wet hands.
- Do not pull the cable to remove the plug.

- Do not lean or sit on the door or on open drawers.
- Do not use steam jets to clean the appliance.
- CAUTION: do not defrost or clean the appliance with a steam cleaner.
- WARNING: do not use electrical appliances (e.g., hair dryers, etc.) or defrosting sprays to accelerate defrosting, as they may deform plastic parts, unless they are recommended by the manufacturer.
- Do not store liquids in cans or glass containers in the freezer.
- Do not remove ice or frost with sharp objects to avoid damage to the walls of the appliance.
- CAUTION: Do not place portable power strips or portable power supplies in the rear of the appliance.
- Do not place heavy objects on top of the appliance.

Damage to the appliance

 **WARNING**

- While in use, do not place metal objects on the appliance, such as knives, forks, spoons and lids.
- Do not use abrasive or corrosive detergents on the glass parts (e.g. powder products, stain removers or metal scouring pads).
- Do not sit on the appliance.

 **PRECAUTION**

- For safety reasons and to prevent damage to the appliance, never sit, stand or lean on the refrigerator door.
- CAUTION: never cover or block any ventilation openings on the appliance.
- Do not refreeze frozen foods that have partially or completely thawed.
- Do not strike or press too hard

on glass surfaces.

- Do not pry open the door or handle to move the appliance.
- Under no circumstances should the appliance be used to cool the room.
- Wear appropriate clothing. Never wear loose or dangling clothing when using the appliance.
- Comply with maximum storage times and expiration dates for frozen products.

Installation and maintenance



WARNING

- It takes two or more people to move and install this appliance.
- This appliance is heavy and must be secured during transport and installation.
- Do not place the appliance outdoors.
- CAUTION: When positioning the appliance, make sure the power cord is not caught or damaged.
- To prevent instability of the appliance, install and secure it properly according to the instructions in this manual.
- Do not install this appliance in prefab (mobile) homes, recreational vehicles (RV), or boats.
- Do not install this appliance in a room where there is a risk of freezing.
- The appliance should not be exposed to sunlight.
- The appliance should not be

placed near any heat sources or flammable materials. If this is not possible, a suitable insulation panel should be used.

- Always place the appliance in a dry, well-ventilated room.
- If installed near another refrigerator or freezer, maintain a minimum clearance of 2 cm - ³/₄".
- Depending on the climate class to which it belongs, the appliance can be used in different temperature conditions. The climate class is specified on the appliance nameplate.
- Observe all applicable regulations and ordinances.
- The ground connection must be completed in the manner indicated in the regulations on electric installations.
- Insert the plug into a 3-pin grounded outlet.
- Do not remove the grounding pin.
- Do not use an adapter plug.
- Do not use an extension cord.
- Do not twist or tie the power cord.
- Do not pull or bend the power cord.
- Do not damage the power cord when moving the appliance.
- To avoid any danger, if the power supply cable is damaged, contact the technical assistance service immediately, that will replace the cable to prevent any risk.
- Never unplug an appliance device by pulling on the power cord. Always grasp the plug firmly when pulling it out of the outlet to avoid damaging the power cord.

- Always disconnect the appliance from the power supply when troubleshooting, servicing, replacing bulbs, or cleaning.
- Have a qualified electrician check the wall outlet and circuit to make sure the outlet is properly grounded.
- Qualified personnel should carry out the installation and servicing in compliance with existing regulations. Service personnel should disconnect power before working on this appliance.
- A qualified technician must complete the electrical connection.
- Before any operation on the appliance (installation, maintenance, positioning or movement) always wear PPE.
- Do not attempt to repair or replace any part of this appliance unless specifically recommended in this manual. Any other maintenance must be performed by a qualified technician.
- Do not damage or drill the coolant pipes.
- Do not damage the coolant circuit.
- Do not use sharp instruments, alcohol, flammable liquids, or abrasive cleaners to remove tape glue. Clean only with warm water.
- **WARNING:** Keep ventilation openings in the appliance enclosure or built-in structure free from obstructions.
- **WARNING:** Do not use mechanical, electrical, or

chemical products other than those recommended by the manufacturer to speed up the defrosting process.

- Do not dispose of packaging material. Separate the various scraps by type and consign them to the nearest separate waste collection center.



PRECAUTION

- Before turning on the appliance for the first time, leave it in the upright position for at least 2 hours.
- Leave enough space around the appliance and install it on a flat surface.
- Do not use the open door as a lever to move the appliance into place.
- Do not apply excessive pressure to the door when it is open.
- When installing the appliance be careful not to scratch or damage the floor.
- Do not move back and forth or drag the appliance when trying to move it, as you may damage the floor.
- Never cover or block any ventilation openings on the appliance.
- This equipment can be used up to a maximum height of 2000 meters/6562 feet above sea level.

For this appliance



PRECAUTION

- The appliance contains a small amount of isobutane (R600a), take care during transport, assembly or cleaning not to damage the refrigeration circuit.
- In case of damage to the refrigeration circuit, avoid using open flames and ventilate the room appropriately.
- Do not operate the equipment or any part of it other than as specified in this manual.
- Caution: Fire hazard/flammable materials.



- Opening the door for long periods of time can cause a significant temperature increase in the appliance compartments.
- Regularly clean surfaces that may come in contact with food and accessible drainage systems.
- Store raw meat and fish in suitable containers in the refrigerator so that it does not come in contact with other foods or drips on them.
- If the appliance is left empty for long periods, turn it off, defrost,

clean, dry, and leave the door open to prevent the development of mold inside.

- Connections to the water inlet, filter, and reservoir should be made by qualified personnel.
- Disconnect the product and water pump, if available, when connecting.
- CAUTION: connect only to drinking water supply.
- After opening the tap, check that there are no water leaks anywhere on the water pipe. In the event of a leak, close the valve and tighten all connections using pliers or a wrench.
- Do not attach the filter to the product.
- The appliance's water system must only be connected to the cold water line. Do not connect to hot water line.
- The ice storage box is designed solely to hold ice. Do not fill with water. This may cause it to break.
- Use only the hoses supplied with the appliance. Any existing old hoses should not be used or readapted with this unit.
- The cold water inlet pressure shall be a minimum of 21 psi (147 kPa) and a maximum of 121 psi (834 kPa).

Purpose of the appliance



PRECAUTION

- This appliance is not intended for use as a built-in appliance.
- The appliance is not intended for professional and commercial use.
- This appliance is designed for cooling or preserving fresh and frozen food at home. Any other use is inappropriate.
- This appliance is intended for use in household and similar applications such as:
 - The kitchen area intended for staff in stores, offices and other work environments;
 - farmhouses, holiday farms and by customers in hotels, motels and other residential settings;
 - bed and breakfasts;
 - catering services and similar non-retail applications.
- This appliance is not designed to work with external timers or remote control systems.

Disposal



DANGER

- Entrapment risk for children. Before you throw away an old refrigerator/freezer:
 - Remove the doors.
 - Leave the shelves positioned so that children cannot easily climb inside.

- Destroy or recycle cardboard, plastic bags, and any outer packaging material immediately after unpacking the refrigerator. Children should NEVER use these items for play. They can cause suffocation and death.

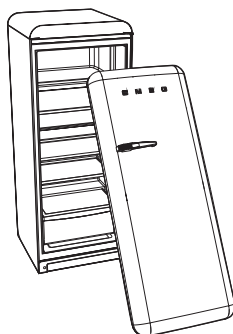


WARNING

- Take the appliance to a suitable recycling center for electric and electronic waste, or return it to the dealer when purchasing an equivalent product, as a one-on-one exchange.

Before you throw away an old refrigerator/freezer:

- Unplug the power cord plug.
- Cut the power cord.
- Have the coolant removed and disposed of by a qualified technician.
- Do not let children climb, stand or stick to refrigerator shelves.
- Do not allow children to play with the refrigerator.



This user manual

- This user manual is an integral part of the appliance and must therefore be kept in its entirety and within the user's reach for the whole working life of the appliance.
- Read this user manual carefully before using the appliance.

Manufacturer's liability

The manufacturer declines all liability for damage to persons or property caused by:

- use of the appliance other than that specified;
- failure to comply with the instructions in the user manual;
- tampering with any part of the appliance;
- use of non-original spare parts.

Identification plate

The identification plate bears the technical data, serial number and brand name of the appliance. Do not remove the identification plate for any reason.

Energy label

To be informed about the performance of your device via the EU EPREL database visit the following web address and enter the model name (available on the identification plate):

<https://eprel.ec.europa.eu>

On the energy label there is a QR code for a quick access to the web address. Use a device equipped with an appropriate reading program.

The energy label must be kept together with all documents supplied with the appliance.

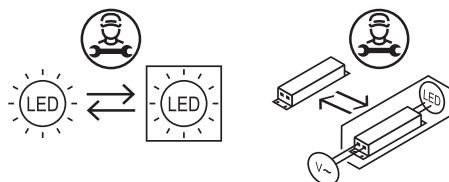
To save energy

- Correct use of the appliance, correct packaging of foodstuffs, a constant temperature and food hygiene have effects on the quality of storage.
- Reduce the number of times that the doors are opened and the length of time they remain open to prevent the compartments from heating up excessively.
- Clean the condenser (if it can be accessed) at the rear of the appliance periodically to prevent the appliance from losing efficiency.
- Defrost frozen food in the refrigerator compartment in order to make use of the cold stored in the frozen foods.

- Placing the shelves at different heights does not affect the stated energy consumption.

Light sources

- This appliance contains light sources which cannot be replaced by the user and must only be replaced by the technical assistance service.

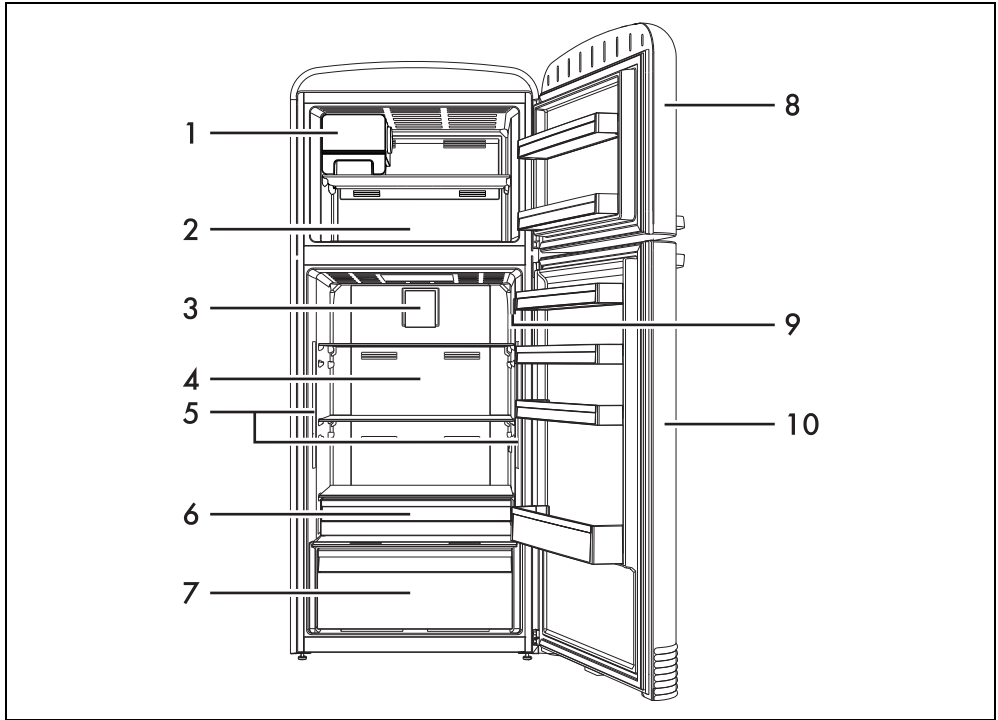


- This appliance contains light sources of efficiency class "E".

READ AND KEEP THESE INSTRUCTIONS

DESCRIPTION

General description



1 Ice maker

2 Freezer cell

Useful for storing frozen foods, freezing fresh foods and making ice cubes.

3 Fan

Useful for temperature distribution and decreasing condensation on support surfaces.

4 Refrigerator compartment

Useful for the preservation of fresh food.

5 Internal lighting

The interior lighting of the appliance comes into operation when the door is opened.

6 Super cold drawer

Useful for preserving the freshness and flavor of delicate foods such as meat and fish for longer.

7 Crisper drawer

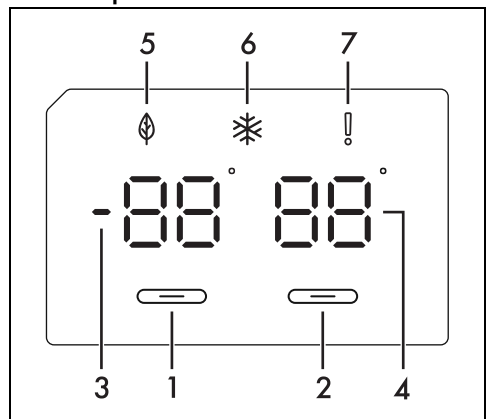
8 Freezer door

9 Control panel

Useful for programming temperatures inside the refrigerator compartment and freezer cell.

10 Refrigerator door

Control panel



1 Freezer cell temperature setting button

- 2 Refrigerator compartment temperature setting button
- 3 Freezer cell temperature display
- 4 Refrigerator compartment temperature display
- 5 "Eco" function indicator on/off
- 6 Freezer cell super cold function indicator
- 7 Alarm warning indicator

Accessories



Not all accessories are available on some models.

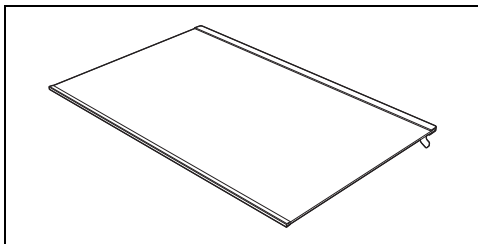


The accessories intended to come into contact with food are made of materials that comply with the provisions of current legislation.



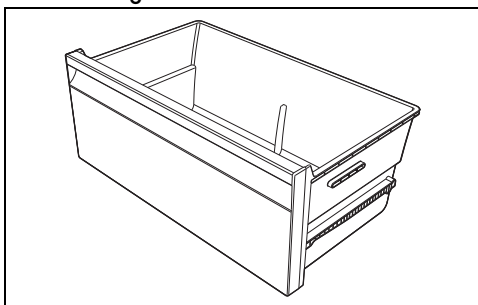
Original supplied and optional accessories can be requested to Authorised Assistance Centres. Use only original accessories supplied by the manufacturer.

Shelves



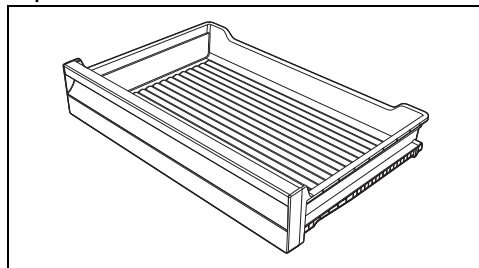
For optimising fridge space and placing foodstuffs inside the refrigerator compartment.

Fruit and vegetable drawer



For storing fruit and vegetables, maintaining a constant humidity level.

Super cool drawer

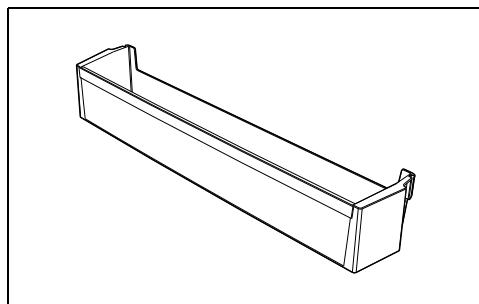


Useful for preserving the freshness and flavor of delicate foods such as meat, fish and lightly frozen foods for longer, as the temperature is consistently maintained between 28°F/ -2°C and 37°F/3°C.



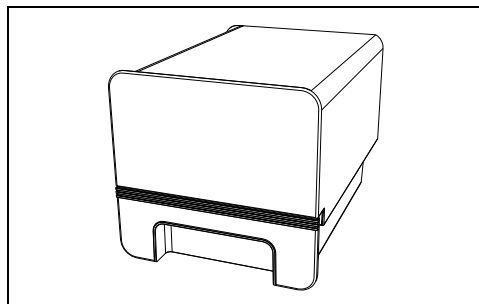
Do not store food items to be frozen or trays to make ice in the chill drawer.

Door balconies and shelves



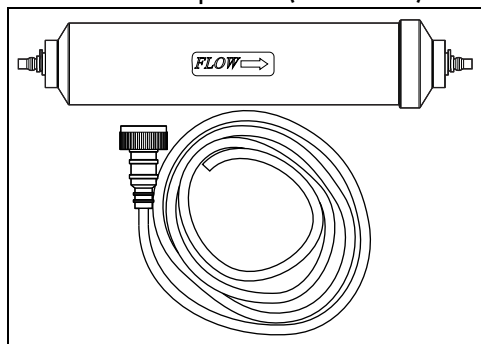
For storing foodstuffs in small containers. The shelf in the lower part of the door is useful for storing bottles.

Ice maker



Useful for the automatic production of ice cubes, ready to put on the table thanks to the removable collection tray.

External filter components (for installer)




To be used to connect the appliance to the

water supply.


USE

Preliminary operations


 See General safety instructions.


- Remove any protective film from the outside or inside of the appliance, including accessories.
- Remove any labels (apart from the technical data plate) from the accessories and shelves.
- Remove and wash all the appliance accessories (see chapter "CLEANING AND MAINTENANCE").

First use


 After installing or relocating the appliance, wait at least two hours before operating it.

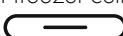

Make sure the appliance is plugged into an electrical outlet.



 After a power failure, the appliance will automatically switch to the previously selected settings.

 The appliance is set with the recommended temperatures of 39°F/4°C for the refrigerator and 0°F/-18°C for the freezer.

Temperature setting

 The refrigerator temperature can be set from 36°F/2°C to 46°F/8°C.
The freezer temperature can be set from 3°F/-16°C to -11°F/-24°C.

1. To set the temperature of the refrigerator compartment or freezer cell, press the relevant button .
2. The corresponding display shows the current temperature flashing.
3. Press the  button again to select the desired temperature.

 Economy mode  is automatically activated when the freezer cell temperature is set to 0°F/-18°C.




Temperature table

	cell	°F	°C
refrigerator		36	02
		39	04
		41	05
		43	06
		46	08
freezer		03	-16
		00	-18
		-04	-20
		-08	-22
		-11	-24

Temperature format




The procedure explained below allows you to set the scale of temperature in degrees Fahrenheit (°F) or in degrees Celsius (°C).

1. Using the  button for the freezer cell, set the temperature to 0°F/-18°C.
2. Using the  button for the refrigerator compartment, set the temperature to 39°F/4°C.
3. Wait for the flashing to end.
4. Press and hold the  button for the refrigerator compartment for about 10 seconds to perform the temperature format change.

Super cold function



The super cold function is useful for quick freezing large quantities of food.

1. To activate/deactivate the super cold function, press and hold down the freezer cell temperature setting button for 3 seconds. The indicator  will turn on/off.
2. After 24 hours, the super cold function is automatically deactivated.



For best performance, it is recommended to activate the super cold mode 3 hours before storing food inside the freezer cell.

Alarm for door open

When the refrigerator compartment door remains open for a long time, the appliance sounds to warn the user that door should be closed.

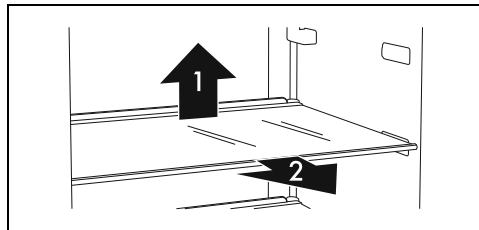
Using the accessories

Shelves

These can be positioned at different heights on the guides according to requirements. Each shelf has a safety fitting to prevent it from being accidentally removed.

To extract them fully, lift up the rear part (1) and

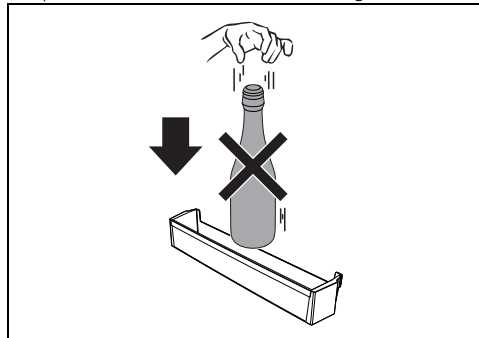
remove them (2).



Perishable foods should be placed on the rear part of the shelves where the temperature is lower.

Door balconies and shelves

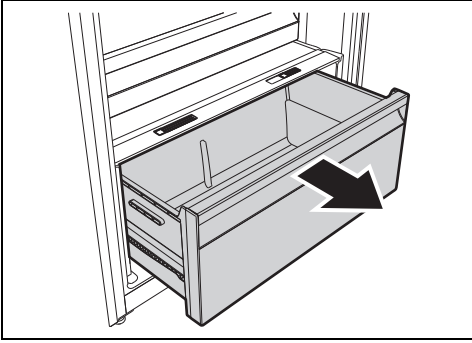
Suitable for storing eggs, butter, dairy products, conserves and other small food packages/containers. The lower part of the door has a shelf for bottles. Avoid placing excessively heavy bottles on the shelf and do not let them drop onto the bottom when inserting them.



Fruit and vegetable drawer

Located at the bottom of the refrigerator compartment, which is fitted with a glass shelf to cover fresh foods that require constant humidity

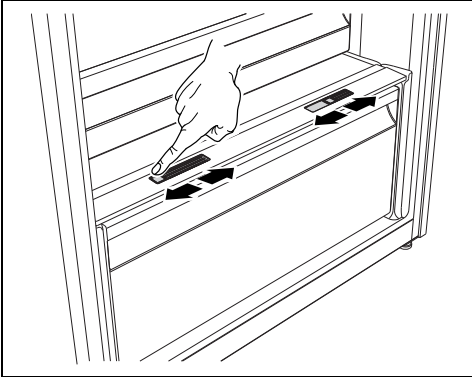
for optimum storage.



Storing vegetables with high content of water can generate condensation on the glass shelf. This is a natural phenomenon which does not affect the appliance's operation in any way.

Humidity regulator

Can be used to adjust the humidity level in the fruit and vegetable drawer. Slide the regulator horizontally to open or close the passage of air through the slots.



Ice maker



Misuse
Risk of damage to the appliance

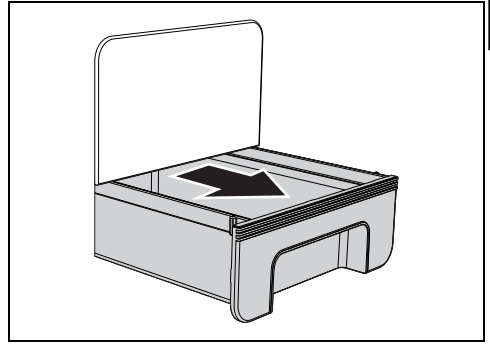
- Do not fill the ice tray with water.

The appliance is equipped with an automatic ice maker. The ice-making process begins whenever the collection tray below is empty.

When the ice cubes have formed, they are deposited in the collection tray.

- To remove the ice cubes, slide the collection

tray out of its housing.



Ventilation



Before introducing food into the appliance, seal it thoroughly.

The forced recirculation air in the appliance is free of humidity and quickly dries the food inside.

The inner ventilation system cools food more rapidly and keeps refrigeration homogeneous inside the appliance.

Using the refrigerator compartment

Arranging food

Arrange food on the various shelves, making sure that they are wrapped and covered hermetically. This precaution ensures that:

- the flavour, moisture and freshness of the foods is preserved;
- any contamination of foods with odours or tastes from other foods can be avoided;
- the humidity level inside the refrigerator is prevented from becoming too high as a result of the normal transpiration of food (especially fresh fruit and vegetables). In some operating conditions (rise in ambient temperature and humidity, more frequent opening of the door) this might cause condensation to form on the shelves.



Always allow hot foods and drinks to cool to room temperature before putting them in the appliance.

Storage life table

Foodstuff	Time
Eggs, smoked meats, marinated foods, cheese	max 10 days
Root vegetables	max 8 days
Butter	max 7 days
Pastries, fruit, ready meals, fresh meat	max 2 days
Fish, minced meat, seafood	max 1 day

Using the freezer compartment

To keep and freeze foods properly:

- pack fruit and vegetables in portions of no more than 1 kg; meat and fish in portions of up to 2 kg.
- small packages freeze quickly which means that the foods' nutritional properties are preserved better, including after defrosting/preparation.
- package foods in hermetically sealed packages, expelling air as much as possible.
- Do not use paper bags or shopping bags, use the suitable freezer bags/containers.



Always allow hot foods and drinks to cool to room temperature before putting them in the appliance.

Frozen foods storage life table

Foodstuff	Time
Fruit, beef	max 10-12 months
vegetables, veal, poultry	max 8-10 months
Game	max 6-8 months
Pork	max 4-6 months
Mince	max 4 months
Bread, desserts, cooked foods, oily fish	max 3 months
Offal	max 2 months
Sausages, lean fish	max 1 month

Defrosted foods

Food must be consumed as soon as possible once defrosted. Freezing foods preserves them, but it does not destroy any micro-organisms, which are activated after thawing, damaging the foods.

Partial defrosting lowers the nutritional value of the foodstuffs, particularly of fruit, vegetables

and ready meals.

Noises during operation

The refrigerator and freezer compartments are cooled by means of a compression system. In order to maintain the preset temperature inside the refrigerator and freezer compartments, the compressor comes into operation in response to the level of cooling required, and may operate continuously if necessary. When the compressor starts up a humming sound will be heard, tending to drop in volume after a few minutes.

Another normal operating noise of the appliance is a gurgling due to the coolant flowing through the pipes in the circuit. This noise is normal and does not indicate an appliance malfunction. If it becomes too loud, this may mean that there are other causes. Checks must then be made to ensure that:

- The refrigerator is properly levelled on the floor and does not vibrate when the compressor is in operation: if this is not the case, adjust the appliance's feet until it is level;
- The drawers, shelves and trays on the door are correctly positioned in their holders: if they are not, put them in correctly;
- Bottles and containers on the various shelves are stable and not touching each other: otherwise, the vibration resulting from compressor operation could generate noise;
- Do not place the fridge in such a way that it is in contact with furniture or other household appliances.

Heated front surface

There is a front surface heating system inside the cabinet to limit the formation of condensation around the door seal.

Turning the appliance off

Whenever the appliance is to remain unused for long periods, it should be switched off.

1. Unplug the appliance from the wall socket.
2. Empty the compartments.
3. Once the freezer has fully defrosted, dry any residual accumulated moisture with a tea towel.



Leave the door ajar to ensure that moisture and stagnant air do not cause unpleasant odours.

Storage advice

General advice

- Always check the expiry date on the food packaging.
- The foodstuffs must be stored in closed or pre-packaged containers and must not be able to emit or absorb moisture and odours.
- Remove perishable products from the appliance if you are going away for a long period.

Refrigerator compartment door

- Keep eggs, butter, cheese etc. in the upper and central parts.
- Keep drinks, bottles, cans etc. in the lower part.

Refrigerator compartment

- Keep preserves, wine, biscuits etc. in the upper part.
- Keep dairy products, ready meals, pastries, fruit juices, beer etc. in the central part.
- Keep meats, cold cuts etc. in the lower part.

- Keep fresh and tropical fruit, vegetables, carrots, potatoes, onions, etc. in the fruit and vegetable drawer.

Freezer compartment

- The type of food, quantity and date of freezing should be marked on the container/packaging.
- Use small containers, if possible already cold.
- The quantity of fresh foods which can be frozen at the same time is listed on the nameplate inside the refrigerator compartment.
- Use suitable freezer bags, tinfoil, cling-film for use with food, and freezer containers.
- Do not use paper bags, cellophane for non-food use, shopping bags or pre-used freezer bags.
- Avoid frozen food coming into contact with fresh food to be frozen.
- Keep bagged frozen vegetables, ice, ice cream etc.

CLEANING AND MAINTENANCE

Cleaning the appliance



See General safety instructions.

A special antibacterial protection on the appliance's interior walls prevents bacterial growth and keeps them clean. They must nevertheless be cleaned regularly in order to keep them in good condition.

Cleaning the outside of the appliance

- The appliance may be cleaned with water or alcohol-based liquid detergents (e.g. window cleaning products).
- Avoid aggressive detergents and rough sponges in order not to damage the surfaces.
- Use a soft brush to remove dust and fume deposits from the condenser on the rear of the appliance.
- Clean the tank above the compressor.

Cleaning the inside of the appliance

- Clean the inside of the appliance with diluted liquid detergent and warm water, adding a little bit of vinegar.
- The door balconies and shelves can be

removed: tap them upwards with your fist, first on one side and then on the other in the insertion zone.

- Remove any ice thicker than 3-5 mm. Do not use sharp objects or spray products.

Defrosting



Occasional presence of frost inside the freezer compartment is normal.



Do not use electrical appliances (e.g. hair dryers) or sprays for defrosting, the plastic parts could be damaged.

Defrosting the refrigerator compartment

The refrigerator/freezer compartment does not require defrosting, as any ice which forms on the refrigeration plate will melt when the compressor is switched off. The defrosting process is automatic.

Defrost water is channelled directly into the dedicated pan on the back of the appliance, which lets it evaporate by means of the heat generated by the compressor.

Interior lighting

Interior lighting, if damaged, must be repaired

by Technical Service only.

What to do if...

The appliance does not work:

- Make sure that the appliance is plugged in and that the main switch is turned on.

The compressor starts to function too often or functions continuously:

- The room temperature is too high.
- The door is being opened too often or for too long.
- The door is not closing/sealing properly.
- The freezer is loaded with too many fresh foods.
- Check that sufficient air can circulate around the sensor on the right-hand side of the refrigerator compartment.
- Check that the back of the refrigerator is properly ventilated and that the condenser is not too dirty.

Excessive ice or condensation has built up inside the refrigerator compartment:

- The door is being opened too often or for too long.
- Hot foods have been placed inside the refrigerator compartment.
- The foodstuffs or containers are in contact with the rear wall.
- The door seal is damaged or dirty. Clean or replace it.

The refrigerator compartment is not sufficiently cold:

- The thermostat is set at too high a temperature.
- The door is being opened too often or for too long.
- The door is not closing/sealing properly.
- The room temperature is too high.

The temperature inside the refrigerator compartment is too cold and the foodstuffs are freezing:

- The thermostat is set at too low a temperature.
- Foodstuffs not contained in suitable containers or bags.
- Fruit and vegetables might be too wet.
- Foodstuffs placed against the rear wall of the refrigerator compartment.

Temperature inside freezer compartment not low enough to freeze foods properly:

- The thermostat is set at too high a temperature.
- The door is being opened too often or for too long.
- The door is not closing/sealing properly.
- The door seal is damaged or dirty. Clean or replace it.
- The food to be frozen contains large quantities of sugar.

Excessive ice has built up inside the freezer compartment:

- The thermostat is set at too low a temperature.
- The room temperature is too high.
- The door is being opened too often or for too long.
- The door is not closing/sealing properly.
- The door seal is damaged or dirty. Clean or replace it.
- Hot foods have been placed inside the freezer compartment.

Doors are hard to open just after closing:

- If you attempt to open the door again just after closing it (especially the freezer door), considerable strength is required. This is due to the vacuum created by the cooling of the warm air which has entered the freezer.

The doors are misaligned:

- Check that the appliance is level.
- Level the appliance using its feet.

INSTALLATION

Electrical connection



See General safety instructions.

General information

- Check the mains characteristics against the data indicated on the plate. The

identification plate bearing the technical data, serial number and brand name is visibly positioned inside the appliance. Do not remove this plate for any reason.

- Make sure that the plug and socket are of the same type.
- Avoid using adapters, gang sockets or

shunts as these could cause overheating and a risk of burns.

- The plug must always be accessible when the appliance is installed.
- Leave the appliance standing vertically for at least two hours before turning it on for the first time.
- If it is necessary to replace the power cable, this must be performed by an authorised technician from Technical Support Service.

Hydraulic connection



See: General safety warnings.

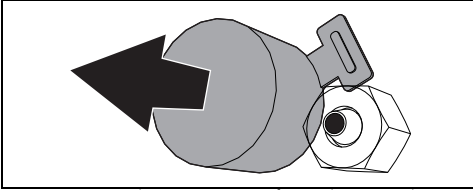


It is recommended that you take installation measurements and proceed to split the supplied pipe into two pieces as needed.

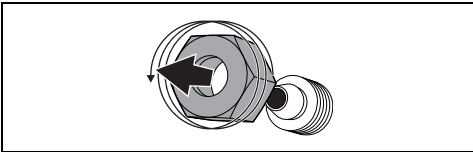
Connecting the water pipe to the appliance

To connect the water pipe to the appliance:

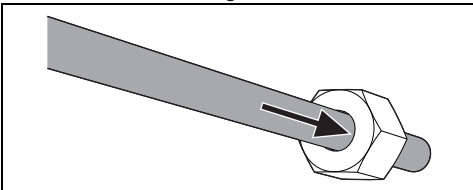
4. Remove the rubber cap from the connector.



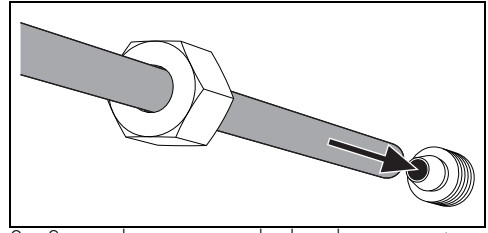
5. Unscrew the connector from the nozzle adapter located on the solenoid valve at the rear of the appliance.



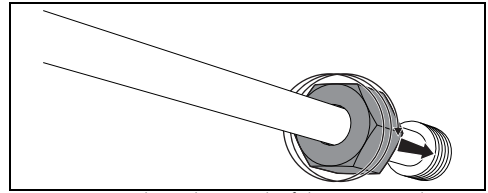
6. Pass the tube through the connector.



7. Press the water pipe firmly onto the nozzle adapter.



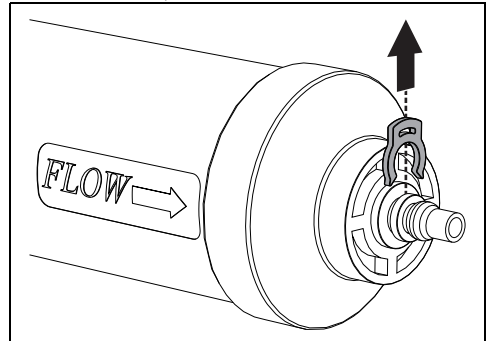
8. Screw the connector by hand to secure it to the pipe nozzle adapter. You can also tighten the connector using pliers or a wrench.



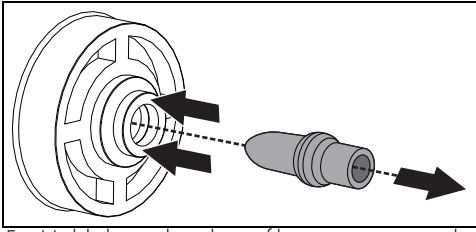
9. Connect the other end of the pipe to the external filter.

External filter connection

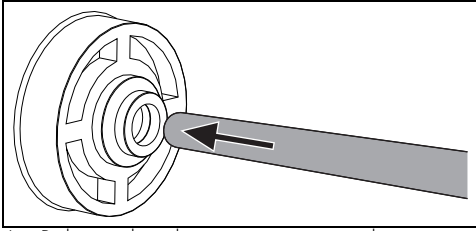
1. Measure the usable length of the pipe based on where you intend to place the filter.
2. Cut the pipe to the specified size.
3. On the external filter, on the side indicated by the arrow and by the word "FLOW", remove the plastic retainer.



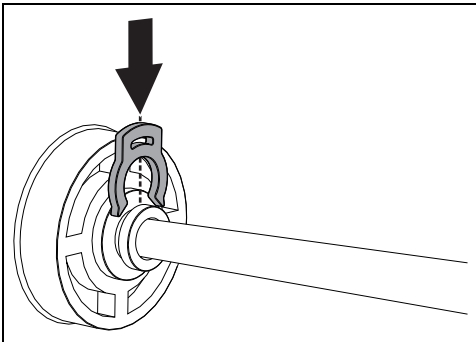
4. Press down on the plastic connector and pull off the rubber plug.



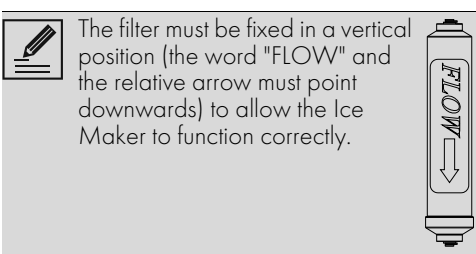
5. Hold down the plastic filter connector and insert the previously cut piece of pipe into it.



6. Release the plastic connector and reinsert the retainer into its seat to secure the pipe to the filter.

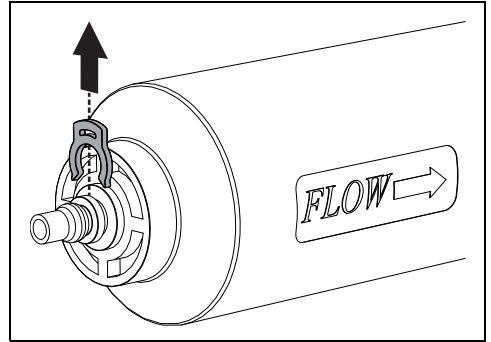


7. Determine the location to attach the external filter.

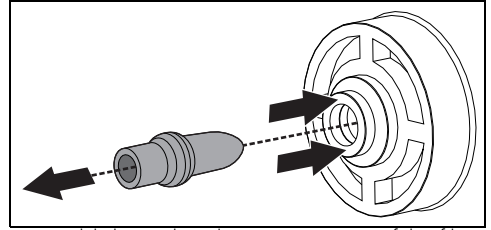


The filter must be fixed in a vertical position (the word "FLOW" and the relative arrow must point downwards) to allow the Ice Maker to function correctly.

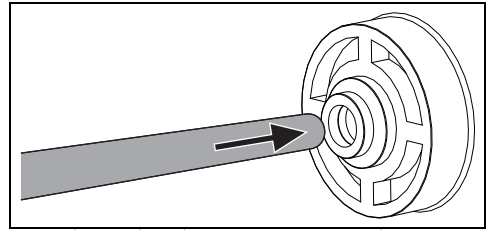
8. On the external filter, on the side opposite the arrow and the word "FLOW", remove the plastic retainer.



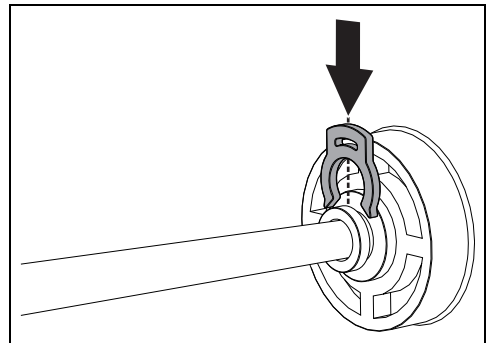
9. Press down on the plastic connector and pull off the rubber plug.



10. Hold down the plastic connector of the filter and insert the remaining piece of pipe (to the end of which the fitting is connected for connection to the water mains).



11. Release the plastic connector and reinsert the retainer into its seat to secure the pipe to the filter.



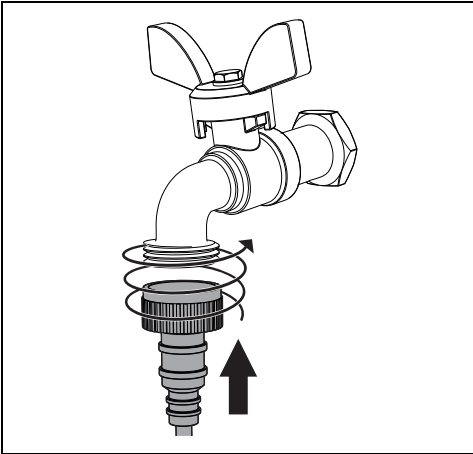
12. Attach the water pipe from the top of the filter to the water supply mains connection fitting.

Water supply mains connection

To use the appliance by connecting it to the cold water outlet, you will need to install a standard 1/2" valve connector on the cold water outlet at your home.

If the connector is not available or if you do not know how to proceed, contact qualified personnel.

1. Attach the connector to the tap adapter, and tighten by hand or using a tool.



To prevent damage, displacement, or accidental disconnection, secure the water pipe properly (such as to the wall).

Positioning



See: General safety warnings.

Location selection

The appliance should be located in a dry place with sufficient air exchange. Depending on the climate class to which it belongs (indicated on the rating plate applied inside the refrigerator compartment), the appliance can be used in different temperature conditions.

- Place the appliance at a distance of 1 3/16" - 3 cm from electric or gas cookers and at least 11 13/16" - 30 cm from combustion heating systems or heaters.
- The appliance should not be placed near

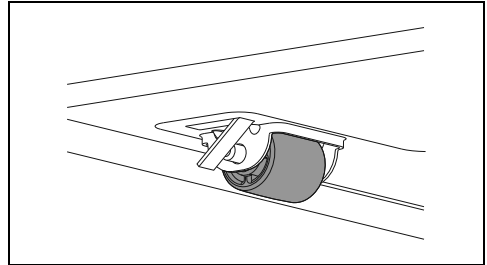
heat sources. If this is not possible, a suitable insulation panel should be used.

- If installed under a wall unit, maintain a clearance of at least 1 15/16" - 5 cm from it.
- Be sure to place the appliance where there is sufficient room to open the door and remove any internal shelves and drawers.

Class	Room temperature
SN (Sub-normal)	from 50°F to 90°F
	from 10°C to 32°C
N (Normal)	from 61°F to 90°F
	from 16°C to 32°C
ST (Subtropical)	from 65°F to 100°F
	from 18°C to 38°C
T (Tropical)	from 65°F to 109°F
	from 18°C to 43°C

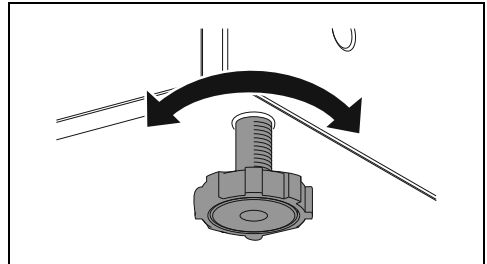
Positioning

Position the appliance on a firm, level surface. The appliance has two small wheels on the back to allow it to be moved and positioned more easily.



In any case, we recommend moving the appliance very carefully in order to avoid damaging the floor (especially in the case of wooden floors).

If the floor is not perfectly level, use the two adjustable feet on the front part of the appliance.



Level the appliance horizontally adjusting its

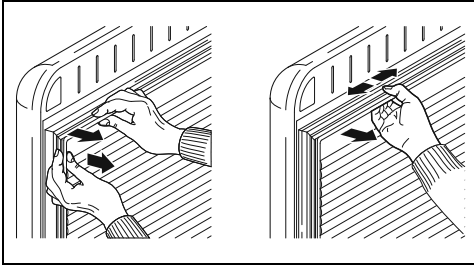
feet.



Lean the appliance slightly towards the rear part to facilitate proper door closure.



In order for the freezer to be installed correctly, the door must be able to close properly. Ensure that the door seals close hermetically, especially at the corners.



**Pressure on the seal
Risk of damage to the appliance**

- Do not press, do not tear or detach the seal from the door.

A few days after installation, check that the initial level adjustment is still correct. Make sure that the appliance is still stable and the door seals still close hermetically when it is in operation and loaded with food. If necessary, re-adjust the level and the seals.

Overall dimensions of the appliance

