



UNDERCOUNTER INSTALLATION INSTRUCTIONS



PERLICK RESIDENTIAL UNDERCOUNTER REFRIGERATION

To prevent appliance damage or injury, read these instructions thoroughly prior to installation.

HP15	15" SIGNATURE SERIES
HP24	24" SIGNATURE SERIES
HH24	SIGNATURE SERIES SHALLOW DEPTH
HC24	C-SERIES
HA24	ADA HEIGHT COMPLIANT SERIES



eco friendly
R600a Refrigerant

GENERAL INFORMATION

Introduction

Congratulations on your purchase of a Perlick Residential undercounter product. This manual has been prepared to assist you in the installation of your cabinet and to acquaint you with its operation and maintenance.

This manual has been prepared to assist you in the installation of your under counter refrigerator and to acquaint you with its operation and maintenance.

We dedicate considerable time to ensure that our products provide the highest level of customer satisfaction. If service is required, your dealer can provide you with a list of qualified service agents. For your own protection, never return merchandise for credit without our approval.

We thank you for selecting a Perlick product and assure you of our continuing interest in your satisfaction.

Warranty

To register your product, visit our web site at www.perlick.com. Click on "Residential", then "Resources". Click on the link "Warranty Registration Form". You must complete and submit this form or the installation date will revert back to the ship date.

Please record the purchase date and the dealer's name, address and telephone number below.

Model Number: _____

Serial Number: _____

Purchase Date: _____

Dealer Name & Address _____

Phone Number _____

TABLE OF CONTENTS

General Information	2
Safety	3
Refrigerant	3
Prior To Installation	3
Preparing the Cabinet for Use	
Uncrating and Inspection	4
Electrical	4
Use and Operation	4
Repair & Maintenance	5
Installing Casters or Legs	5
Installation	5
Preparing the Space	6
Placing the Cabinet	6
Installing the Unit.....	6
Toe Plate Installation.....	7
Adjusting Full Extension Shelving	8
Door Options/Adjustment.....	8
Handle/Lock Installation	11
Overlay Installation	12
Touch-Screen Control Operation.....	15
Checking Product Temperature.....	15
Digital Temperature Control	15
Programming Button Definitions	15
LED Functions	15

SAFETY

PLEASE READ all instructions completely before attempting to install or operate the unit. Take particular note of the DANGER, WARNING and CAUTION information in the manual. The information is important for the safe and efficient installation, operation and care of your Perlick unit.

DANGER Indicates a hazard that **WILL** result in serious injury or death if precautions are not followed.

WARNING Indicates a hazard **MAY** cause serious injury or death if precautions are not followed.

CAUTION Indicates a hazard where minor or moderate injury may occur if precautions are not followed.

NOTICE Indicates that property damage may occur if warnings or instructions are not followed.

IMPORTANT!

Read and understand all information in this manual before attempting the installation. All plumbing and electrical work must be performed by a qualified technician and conform to all applicable state and local codes.

Refrigerant

DANGER Take caution when handling, moving and using the product to avoid damaging the refrigerant tubing or increasing the risk of a leak

WARNING All service work shall be performed by factory authorized service personnel and all component parts shall be replaced with like components to minimize the risk of possible ignition due to incorrect parts or improper service.

CAUTION If service is necessary, repair work must be performed by a Perlick authorized servicer. Work done by unqualified individuals could potentially be dangerous and will void the warranty.

NOTICE This product contains blown foam insulation using blowing agent R-611 (Methyl Formate). The foam in this product does not contain HFC's, CFC's, or HCFC's.

All models covered in this user manual are manufactured using refrigerant R600a (Isobutane). R600a is a hydrocarbon. This refrigerant is flammable and is only allowed for use in appliances with fulfill the requirements of UL/IEC 60335-1 and UL/IEC 60335-2-24. (To cover potential risk originated from the use of flammable refrigerants). Consequently, R600a is only allowed to be used in refrigerating appliances with are designed for this refrigerant and fulfill the above-mentioned standard.

- R600a is heavier than air. The concentration will always be highest at the floor level.
- The explosion limits are as follows:
 - o Lower Limit: 1.8% by volume
 - o Upper Limit: 8.4% by volume
 - o Ignition Temperature: 460°C

Prior To Installation

Carefully inspect cabinet for hidden damage. If damage is discovered, file your claim immediately with the transport company. Perlick is not responsible for damage in transit.

CAUTION When moving the unit, be sure to protect finished flooring with appropriate material to avoid damage from moving the unit.

CAUTION Do not lift unit by drawer, shelving or door handles, as damage to the unit could occur if not moved as instructed.

WARNING To prevent personal injury, a minimum of two people are required to lift the unit. Larger units may require additional personnel.

Before moving the unit, secure the door shut with tape to prevent door from swinging open while being moved. Carefully move unit to installation site and place in front of opening.

CAUTION If unit has been laid on its back or sides, place unit upright and allow minimum of 24 hours before connecting power.

Preparing the Cabinet for Use

UNCRATING AND INSPECTION

Remove all crating material before operating. Carefully inspect cabinet for hidden damage. If damage is discovered, file your claim immediately with the transport company. Perlick is not responsible for damage in transit.

DANGER Do not use or store flammable liquids (ie; gasoline) or vapors near the appliance to avoid fire.

INSTALLATION

NOTICE The unit must NOT be totally enclosed or damage may occur. Air circulation must not be restricted. The condenser at cabinet front must be provided with a minimum of two inches air space. Be sure to provide access so front cover can be removed to clean the condenser.

NOTICE If unit has been laid on its back or sides, place unit upright and allow a minimum of 24 hours before connecting power. Failure to follow this procedure may damage the compressor and void the warranty.

NOTICE Use care when handling, moving and using the product to avoid damaging the refrigerant tubing or increasing the risk of a leak.

PLUMBING

No plumbing connections are required. Condensate from the cooling coil is automatically evaporated through a condensate pan located in the condensing section of the unit.

ELECTRICAL

For specifications, see data plate located on the cabinet. Also, see wiring diagram located in this publication.

WARNING Inspect the electrical cord and plug for damage prior to energizing the unit to avoid potential electric shock.

WARNING Use electrical grounding to avoid electrocution or electric shock. This appliance is equipped with a 3-prong (grounding) polarized plug for your protection against possible shock hazards. Failure to use grounding may result in death, serious injury, or property damage.

WARNING Never use an extension cord to connect the unit to the electrical source. Do not use a two-prong adapter or remove the power cord ground prong. Failure to use grounding may result in death, serious injury, or property damage.

NOTICE Using any voltage other than specified will result in serious damage to the unit.

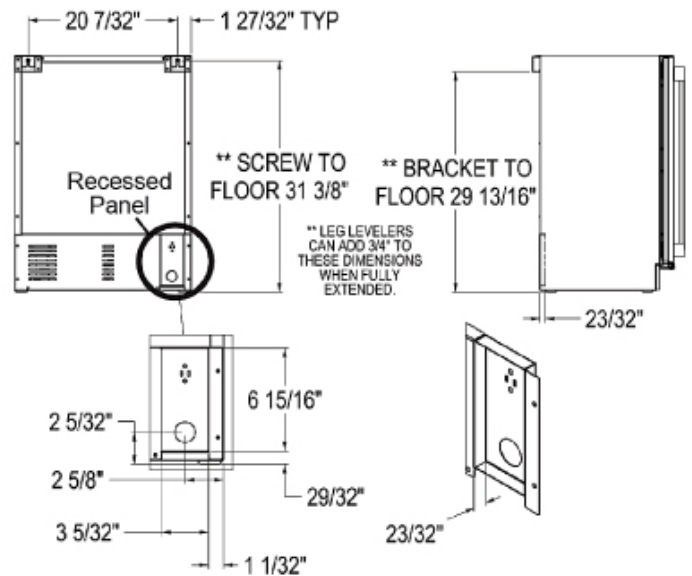


Figure 1. HH (Sottile Model) Electrical Connections

USE & OPERATION

DANGER Do not use or store flammable liquids (ie; gasoline) or vapors near the appliance to avoid fire.

WARNING To avoid contamination, use food safe containers (not included) for the storage of craft ice in the cabinet's freezer compartment. This equipment does not include a drain and is intended for use with craft ice and other non-hazardous food stored in food safe containers. Perlick recommends the use of NSF food certified containers.

CAUTION If service is necessary, repair work should be performed by a Perlick-authorized service personnel. Work done by unqualified individuals could create dangerous conditions in unit that may result in serious injury or death.

NOTICE The unit must NOT be totally enclosed or damage may occur.

REPAIR & MAINTENANCE

⚠ WARNING All service work shall be performed by Perlick-authorized service personnel. All component parts shall be replaced with like components. Incorrect parts or improper service may result in fire.

INSTALLING CASTERS OR LEGS (OPTIONAL)

Attach bracket assembly to the bottom of the cabinet base using the $\frac{1}{4}$ "-20 Philips head machine screws provided. Attach casters or legs to the mounting bracket with $\frac{1}{4}$ " – 20 Philips head screws provided

NOTICE Anti-tip brackets are only used for stationary cabinets and should not be installed on cabinets with accessory casters. Caster kits are available for HP, HC and HA model cabinets. Refer to the instructions supplied with the caster kit for proper installation.

NOTICE If installing on a concrete floor, concrete fasteners are required and not included with the anti-tip kit.

NOTICE Some installation sites may require modifications to provide a secure surface for attaching the brackets.

A set of anti-tip brackets is supplied with the unit. These brackets should be attached to the floor at the rear of the unit. Each bracket must be located to engage the rear glides when the cabinet is pushed back into position. Refer to Figures 2A and 2B (shown on right) for anti-tip bracket mounting locations.

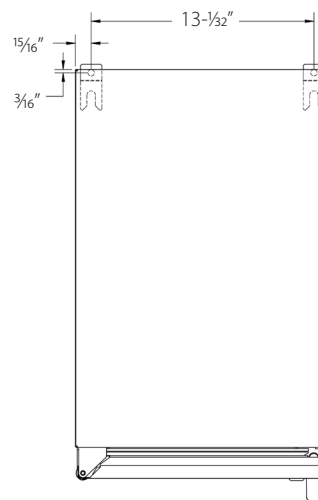


Figure 2A. 15" Anti-tip Kit

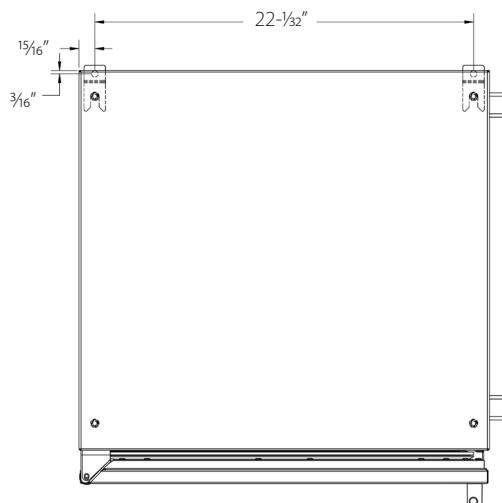


Figure 2B. 24" Anti-tip Kit

PREPARING THE SPACE

⚠ CAUTION If the unit is to be installed under a countertop, it is recommended that the countertop be supported by surrounding cabinetry and use shims to support countertop directly above the refrigerated cabinet.

⚠ CAUTION Make sure the floor under the unit is level with the surrounding finished floor. Protect a finished floor with plywood, cardboard, or some other suitable material before moving the unit into place. Failure to do this may result in damage to the floor.

PLACING THE CABINET

To assure maximum performance, fresh air must be allowed to circulate through the machinery compartment. Do not place anything in front of the cabinet that would obstruct air flow at these grilles. Do not place the unit in an unventilated small room.

NOTICE Cabinet should be leveled front to back then side to side

1). Make sure the space opening is correctly sized for the unit. See chart below for finished rough opening requirements:

HP15 15" Signature Series		
Height	Depth	Width
34-3/8" minimum, 35-1/2" maximum	24"	15"
HP24 24" Signature Series		
Height	Depth	Width
34-3/8" minimum, 35-1/2" maximum	24"	24"
HH24 Signature Shallow Depth		
Height	Depth	Width
32-1/2"	18"	24"
HC24 24" C-Series		
Height	Depth	Width
34-3/8" minimum, 35-1/2" maximum	24"	24"
HA24 24" ADA-Compliant Series		
Height	Depth	Width
32-1/2"	24"	24"

NOTE: For a cabinet door to open properly, the door must open a minimum of 90°. Use a minimum 3" filler in corner installations to assure a full 90° opening. Allow 25" clearance in front of unit for full door swing and shelf/drawer pull out for all units.

2). Check that the following are level and square:

- Front and interior opening
- Installation opening and floor surface
- Countertop bottom front edge

NOTE: The floor under the unit must be at the same level as the surrounding finished floor.

⚠ CAUTION To prevent possible damage to the countertop, do not place heavy objects on countertop directly over unit.

INSTALLING THE UNIT

1) Plug the unit into the 15 amp grounded electrical outlet located within the installation opening. With power applied to the unit, check that the lighting and cooling functions operate properly. Turn off the power to the wall outlet at the circuit breaker.

NOTE: If unit does not operate properly after it is plugged in, verify that the master power switch is in the on position. (See page 15 for details)

2) With all surfaces in the installation opening square and level, refer to Figure 4 on page 7 and perform the following steps to level the unit:

- At the front of the opening, measure from the floor to the bottom of the front edge of the countertop.
- Measure from the floor surface to the top of the unit at the rear corners.
- Adjust the unit legs so these two measurements are equal. Using an adjustable wrench or pliers, turn legs clockwise to lower the unit or counterclockwise to raise it.

NOTE: Legs should not extend more than 3/4" from the bottom of the unit.

3) Slide the unit into position in the opening. Make sure the rear leveling legs slide under the ant-tip brackets. Push the unit into the opening until the bottom front edge of the unit is flush with the surrounding cabinetry, or until the rear legs are tight against the anti-tip brackets.

4) Shim the front of the unit so the front face is flush with the surrounding cabinetry. Adjust the front legs to support the countertop at the shimmed height. Using an adjustable wrench or pliers, turn the legs clockwise to lower the unit or counterclockwise to raise it. Countertop should be resting on top of the unit.

NOTE: Countertop should be resting evenly on entire top of the unit. Shim if necessary to prevent damage to the countertop.

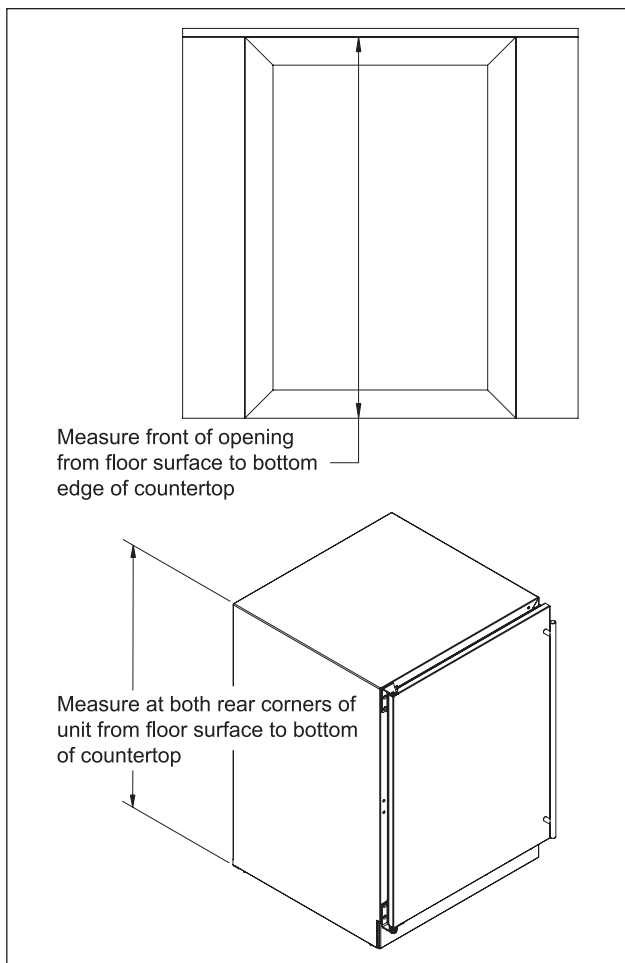


Figure 4. Leveling the Unit

5) Check interior door openings to make sure the unit is level and square. Install shelving and/or drawers. Place the slide brackets squarely into the bracket grooves. When installed properly, a “click” should be heard from the slide bracket retaining tabs and the brackets should slide smoothly. The retaining tabs will stop the shelf/drawer when pulled out to full extension.

6) Turn on the power to the wall outlet at the circuit breaker.

NOTE: Improper shelf/drawer installation may not actuate slide mechanism.

TOE PLATE INSTALLATION

Once the unit is secured in place, install the louvered toe plate. Secure the plate by snapping the latch into the latch catch on the unit, and re-attach screws using through holes provided in the toe kick. A phillips #2 screwdriver, with a 3” long shaft will be required. (Figure 5).

⚠ CAUTION The toe plate must be removed to service the unit. The floor cannot interfere with removal, and the louvered sections must not be covered or obstructed. Obstructions could prevent proper air circulation, which may damage the unit.

NOTE: To achieve maximum performance, interior louver openings and fan guard openings should never be obstructed.

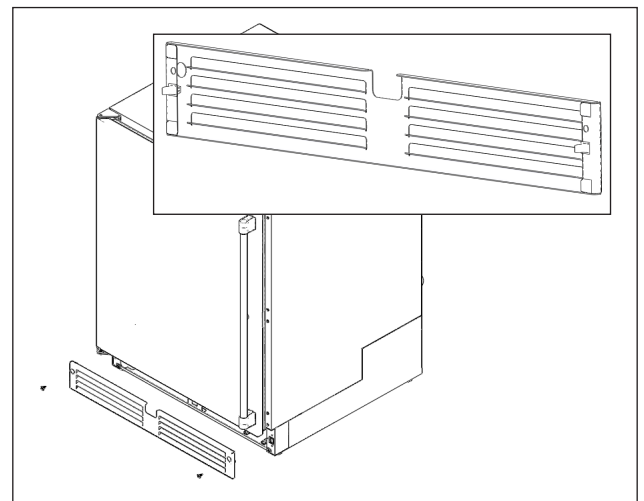


Figure 5. Toe Kick Installation

SHELVING/DRAWER ADJUSTMENTS

CAUTION Completely empty shelf or drawer before removing.

1. Pull the shelf/drawer out to its furthest position. Locate the tabs in the middle of both extenders. Lift one tab up while pushing the opposite tab down, and pull shelf/drawer out (Figure 6).
2. Position each bracket separately. Grasp the middle of the bracket, pull the front end up and out, then forward to remove it.
3. Place bracket at desired location. Push the bracket rear hook into the rear mounting slot, then set front of the bracket in the front slot.
4. Repeat for other brackets.
5. Push extenders completely into brackets. Align the shelf/drawer grooves with the extenders and slide completely into the unit.

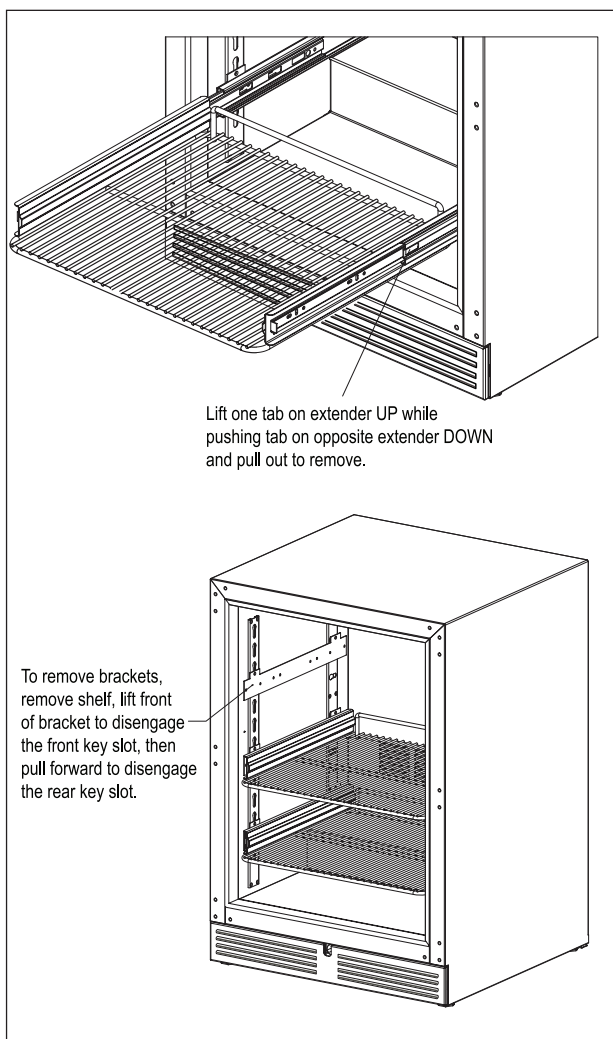


Figure 6. Shelving/Drawer Adjustment

DOOR OPTIONS

Perlick residential units offer a variety of door panel design alternatives; solid stainless steel, solid wood overlay, glass with stainless steel trim and glass with wood overlay trim.

Solid stainless steel and stainless steel glass doors are shipped from the factory with decorative stainless steel panels and handles in place on the unit. Solid wood overlay and glass wood overlay doors are designed to accept a decorative front panel to match surrounding cabinetry and door handles.

NOTE: Wood overlay models are designed to accept wood overlay panels from your cabinetry supplier. They do not include a wood overlay. Templates are available on www.perlick.com/residential-products. Click on Service & Support, and then choose Wood Overlay Templates from the menu. Take care in choosing the correct template for your specific model. The handle is supplied by the customer.

All Perlick units (excluding beer dispenser and ice maker models) accept any of the above door configurations and are fully interchangeable. Glass door configurations are not available on beer dispenser or ice maker models.

NOTE: Glass with stainless steel trim and glass with wood trim may sweat in conditions with relative humidity over 75%.

CHANGING DOOR SWING DIRECTION

NOTE: Changing the door mount is not advisable if the door is equipped with a custom wood overlay. Doing so may result in an undesirable handle position.

To change the door swing direction, a hinge kit is required:

- Part No. 67439R - Right hinge kit
- Part No. 67439L - Left hinge kit

In addition to the hinge kit, the following tools are required:

- Large flat head screwdriver
- Regular Phillips head screwdriver
- Plastic putty knife

1) Support the door in the open position as shown in Fig. 7 on page 9. Remove the hinge pin.

2) Pull door to the side and then lower door.

3) Remove top and bottom hinge brackets. Retain screws for later use. See Fig. 8 on page 9.

4) Remove the hole plugs from the top and bottom hinge bracket mounting holes (see Fig. 8 on page 9). Place the plugs in the holes on the opposite side made vacant by removing the hinges in step 3.

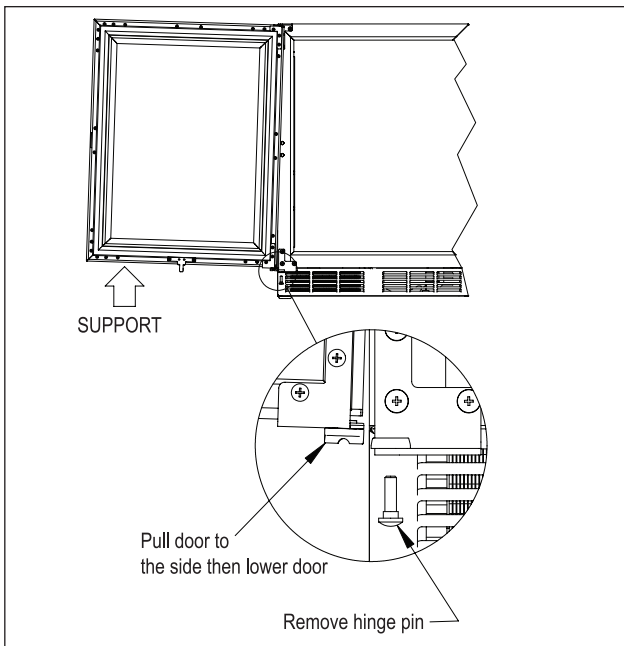


Figure 7. Door Removal

5) Using the screws removed in step 3, install the top and bottom hinge brackets from the kit (Fig. 9).

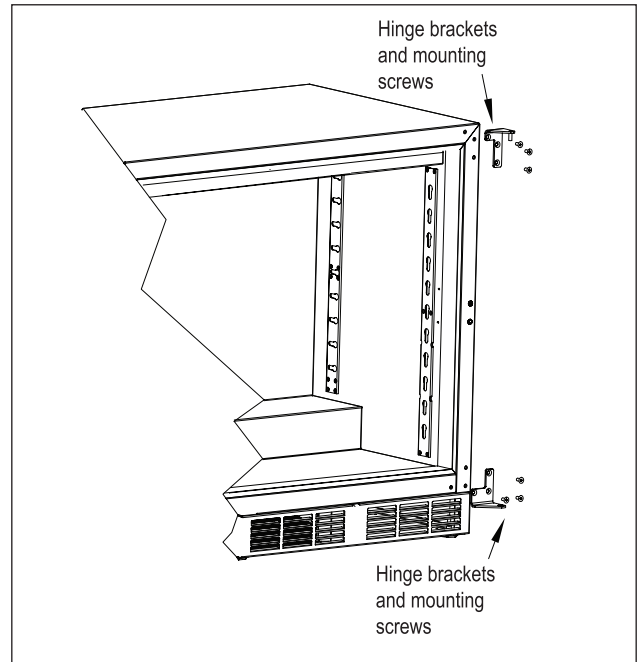


Figure 9. Hinge Installation

6) Remove the top and bottom door hinge brackets and the push plunger brackets (Fig. 10). Retain the screws for later use.

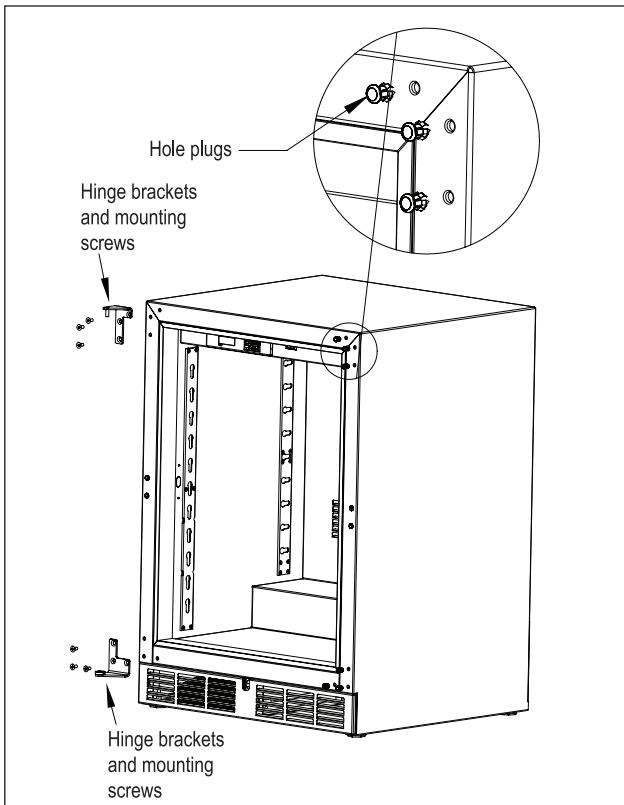


Figure 8. Hinge Removal

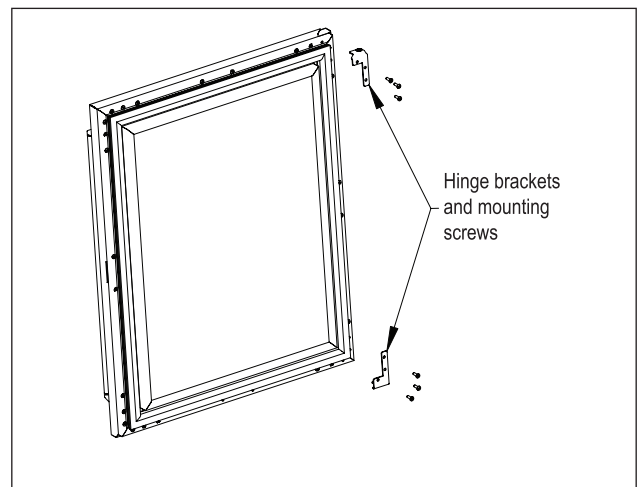


Figure 10. Door Brackets

7) Remove the front panel from the door assembly by removing the door gasket and then removing the overlay mounting screws, 4 per side, from the perimeter of the door assembly (Fig. 11). Rotate the front panel 180°. The top becomes the bottom. Reattach using the same screws and mounting holes and then reinstall the door gasket.

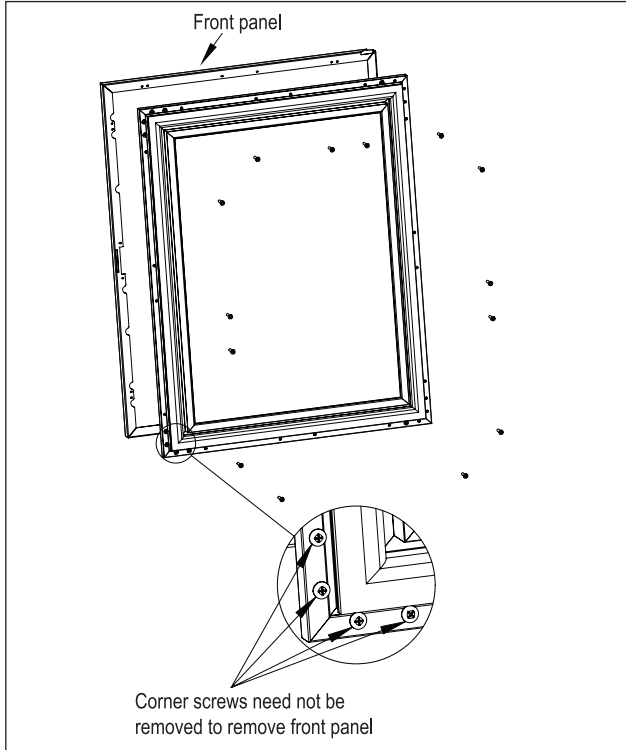


Figure 11. Removing Front Panel

8) Remove the Perlick nameplate from the door front using a plastic putty knife (Fig. 12). Install the new Perlick nameplate included in the kit.

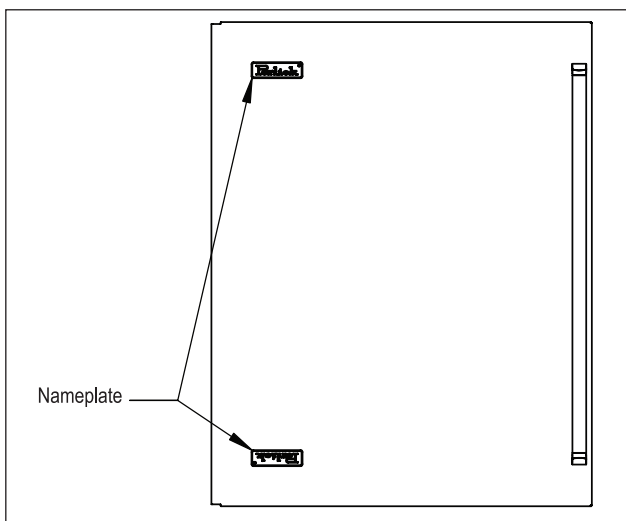


Figure 12. Nameplate

9) Insert the bearing into the door hinge bracket (Fig. 13).

10). Insert the V-block into the door bottom hinge bracket and attach with the e-clip (Fig. 13). Note the orientation of the V-block.

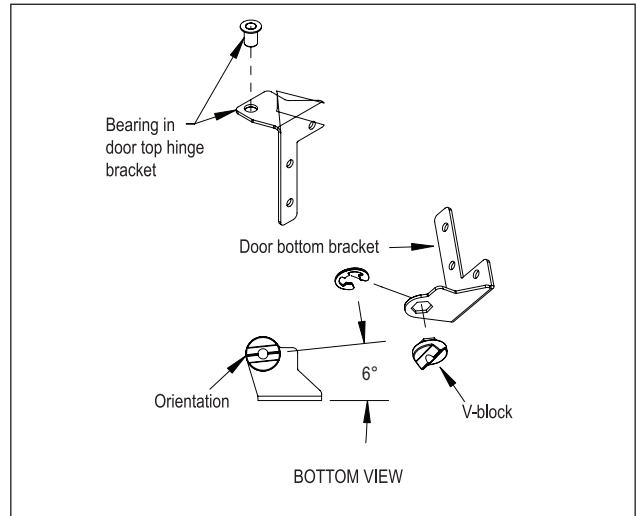


Figure 13. Bearing and V-Block

11) Attach the top and bottom hinges and push plunger using screws removed in step 6 (Fig. 14).

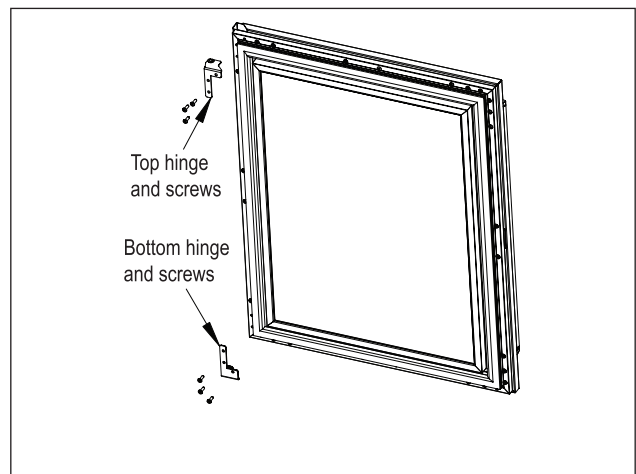


Figure 14. Door Hinges

12) Place the lower V-block into the lower cabinet hinge with the notch parallel to the cabinet (Fig. 15).

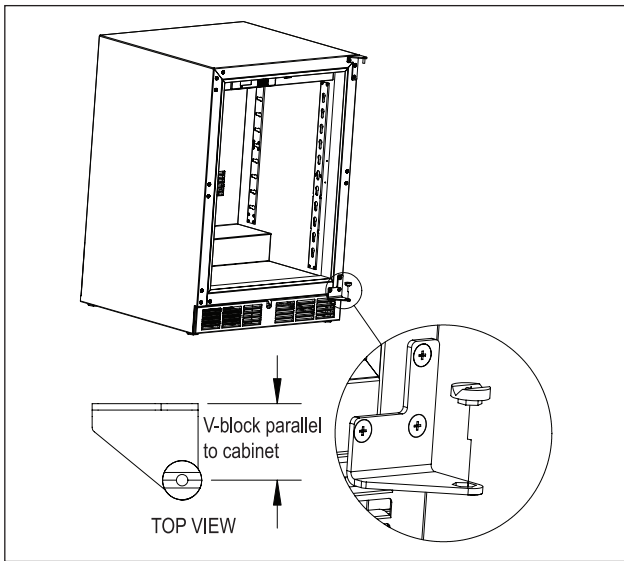


Figure 15. Installing V-Block

13) Lift the door assembly and insert the top pin into the bearing. Move door toward cabinet and align the V-blocks (Fig. 16).

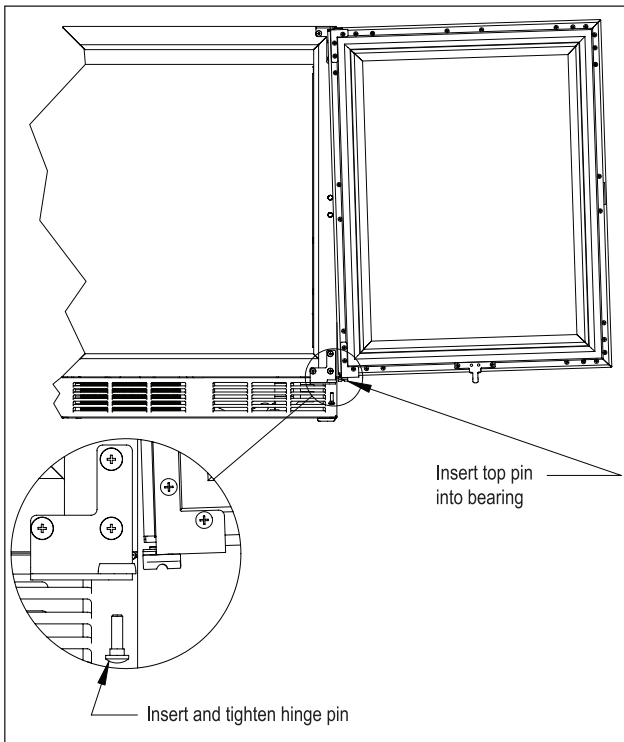


Figure 16. Installing Door

14) Insert and tighten the lower hinge pin to complete the assembly.

HANDLE INSTALLATION

CAUTION The handle mounting on the wood overlay should be mounted on the overlay only (not the actual door) to avoid damage to the factory door.

1. Handle must be attached to the overlay before mounting the overlay onto the door. Mark the rear of the wood overlay panel with handle fastening locations.
2. Drill through the wood overlay panel at marked locations, taking care not to damage the panel.
3. Countersink screw heads so that screw heads are flush with the back side of the panel. Attach the handle to the overlay panel.

CAUTION Proper woodworking materials and equipment should be used to avoid damage or errors in workmanship.

DOOR LOCK INSTALLATION

NOTE: Full size lock installation wood overlay panel templates are available on the Perlick website. Visit www.perlick.com/Residential, click on Service & Support, and then choose Wood Overlay Templates from the menu. Lock templates are available for all HP, HC, HA and HH series models. Take care in choosing the correct template for your specific model.

When installing to a wood overlay, perform the lock installation before mounting the wood overlay to the door!

1. See Figure 17 below. Attach mounting bracket to wood overlay.
2. Insert lock body and attach with nut.

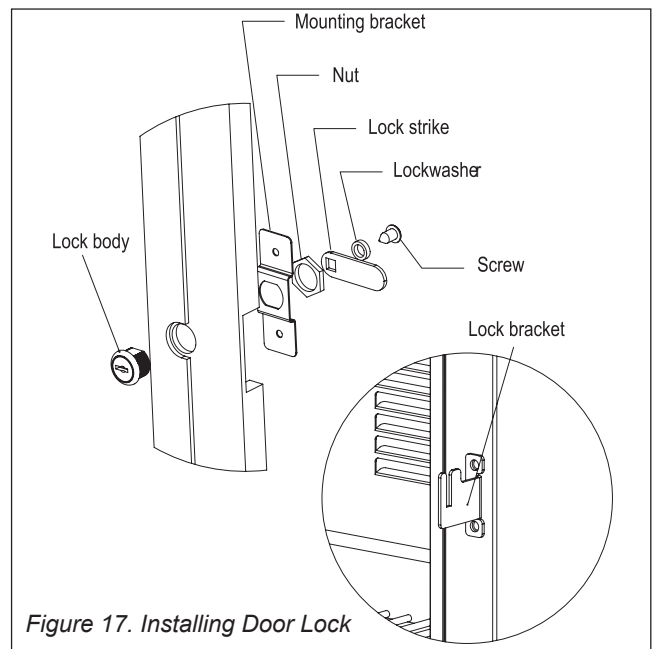


Figure 17. Installing Door Lock

WOOD OVERLAY INSTALLATION

Before beginning installation, check all components for proper fit and finish. Handle should be installed to the overlay prior to installing overlay to door (use countersunk flathead fasteners for handle installation.)

⚠ CAUTION For best performance and functionality, the overlay panels should be 3/4" thick. The weight of the overlays should not exceed 20 lbs for solid (-2) doors, 10 lbs for glass (-4) doors, or 10 lbs for drawer (-6) models.

1. -2, -4 and -6 models come ready to accept wood overlay as shown below.



2. Remove the gasket carefully starting at the corners and avoid ripping the dart.



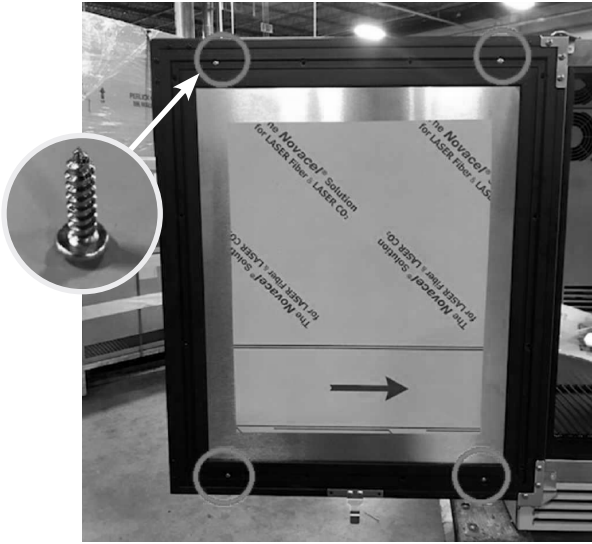
3. In some cases, the dart on the gasket may rip. If this happens, replace with a new gasket.



4. With the gasket removed, the screw holes needed to hold the overlay panel will be revealed as shown below.



5. Loosely attached the four corners of the overlay panel with the door frame with #10 x 3/4" wood screws.



7. After alignment is satisfied, fasten down all screws through the screw holes.



6. Make sure the overlay panel is aligned properly with the door.



⚠ CAUTION Do not overtighten wood overlay attachment screws, as this may damage the factory supplied door frame.

8. When re-installing the gasket, make sure the dart is pressed inside the slot on the door frame. Start at the four corners and firmly press your way inwards.



- Verify that the gasket is fully seated onto the door frame when completed.



- After installation of the overlay panel is completed, verify that the gasket is completely sealing around the cabinet frame. If installing panels onto drawer models (-6), repeat installation process for second drawer face. Installation is now complete.



WINE RACK TRIM (OPTIONAL)

All wine reserve racks come with sleek stainless steel fronts. Unfinished solid hardwood fronts are optional and can be removed and replaced with other wood to match your cabinetry. See Figure 18 and 19 for wine rack face details.

NOTE: The unfinished faces should be finished and sealed. In many cases, stains and/or finishes have odors that may be objectionable in an enclosed area. Do not stain or finish wood faces while installed on unit. To remove the front wood face from the wine shelf, simply pull out the wine shelf and remove the fasteners, finish as desired, and when completely dry, reinstall with fasteners.

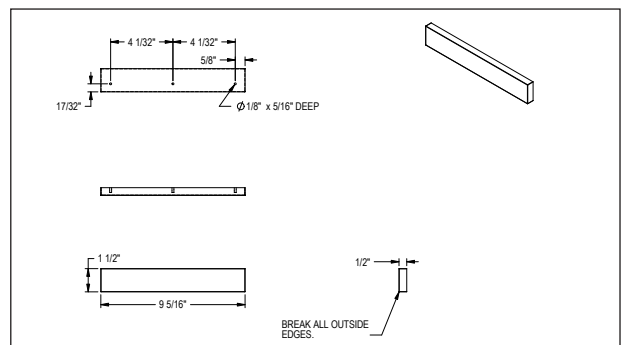


Figure 18. Wine Rack Trim, 15" models

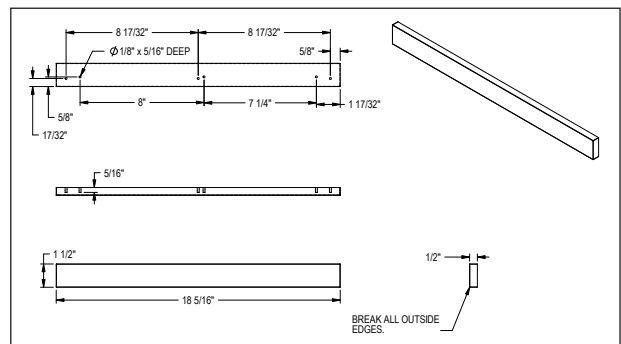


Figure 19. Wine Rack Trim, 24" models

TOUCH-SCREEN CONTROL OPERATION

OPERATION

MASTER SWITCH

Signature Series products come equipped with a master power switch located behind the louvered toe kick. Remove the toe kick to turn power on or off to the unit. To remove the toe kick, remove the two screws located in the through holes on the edge of the toe kick, near the latch strikes. A #2 Phillips screw driver with a 3" shaft will be required to remove the toe kick.

ANTI-SWEAT HEATER SWITCH

Signature Series-Dual Zone Freezer Models (HP24Z) come equipped with an anti-sweat heater and switch to enable or disable the heater. The anti-sweat heater prevents condensation from forming on the front face of the cabinet between the top and bottom drawers. Remove the toe kick to access the switch to enable or disable the anti-sweat heater. The anti-sweat heater switch is located below the master power switch (Figure 20).

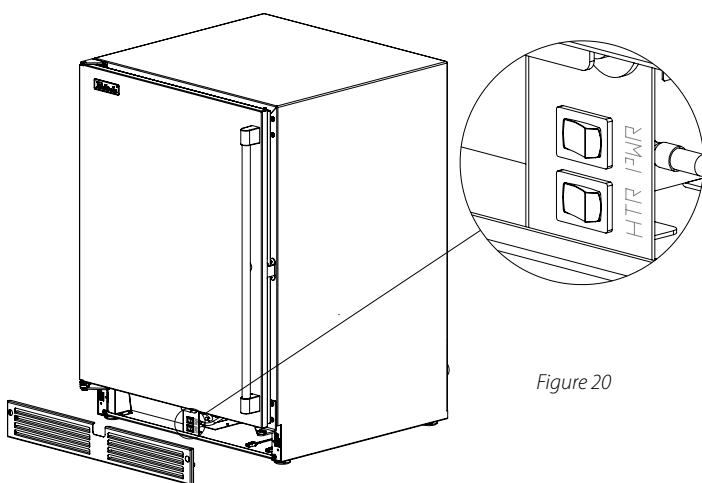


Figure 20

INTERIOR LIGHT

Door units are equipped with an interior light that illuminates when the door is opened. All models come standard with adjustable blue and white LED lighting. The cabinet also comes equipped with a manual light switch for displaying the products through a glass door.

Always ensure that the manual light switch is in the OFF position before closing a solid wood or stainless steel door. If the manual light switch is left on for an extended period of time, it will increase energy usage and decrease LED life.

LOADING PRODUCT

Before storing perishables, turn the unit on and allow it to operate for a minimum of 24 hours to allow temperatures to stabilize. When loading items into the unit, do not block internal louvers and fan guard openings or performance will be decreased.

CHECKING PRODUCT TEMPERATURE

1) To accurately check the temperature of product stored in the refrigerated compartment, insert an accurate thermometer into a plastic unbreakable bottle, partially filled with water. Tighten the bottle cap securely.

2) Place the bottle in the desired area for 24 hours. Refrain from opening the unit during the testing period. After 24 hours, check the temperature of the water. Adjust the temperature accordingly using the following procedures:

DIGITAL TEMPERATURE CONTROL

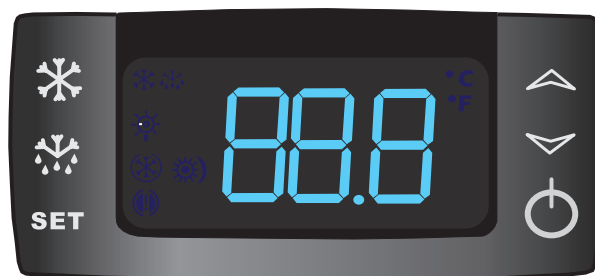


Figure 1. Digital Temperature Controller
HP & HH models feature a blue display
HC & HA models feature a red display

Programming Button Definitions:

SET SET Button

 DEFROST button (melting snowflake)

 UP Arrow

 DOWN Arrow

 ON/OFF Button

Signature Series Dual-Zone Control Instructions

On/Off

Press the ON/OFF button to turn the unit on or off.

Upper Compartment:

To view the upper compartment temperature, press and release the DEFROST button (melting snowflake).

Lower Compartment (Must be coldest zone):

Display reading always shows the lower compartment temperature.

Changing the Lower Compartment Temperature:

1. Press and hold the SET button until the display shows St1 with "F" flashing.
2. Press SET again to display the lower compartment's current temperature ("F" will continue to flash).
3. Use the UP or DOWN arrow key to scroll to the desired temperature. The controller will memorize the new temperature.

Changing the Upper Compartment Temperature:

1. Press and hold the SET button until the display shows St1 with "F" flashing. Press the DOWN arrow once; the display will read St2.
2. Press SET again to display the upper compartment's current temperature ("F" will continue to flash).
3. Use the UP or DOWN arrow key to scroll to the desired temperature. The controller will memorize the new temperature.

NOTE: Dependent on the model and configuration, the controllers have been programmed to only allow a lower compartment temperature adjustment range as specified within the chart below. The upper compartment range is not limited, but should always be kept within the specified range shown in the table for the upper compartment. See the chart below for the specified range allowed for your unit.

Signature Series – Dual-Zone Units	
Model	Range (F)
HP24Z	Upper 30° - 42°F / Lower -10° - 15°F
HP24C	Upper 45° - 65°F / Lower 33° - 42°F
HP24D	Upper 51° - 65°F / Lower 45° - 55°F

To Start A Manual Defrost (HP24Z Models Only)

Press and hold the DEFROST button (melting snowflake) for 3-5 seconds. Melting snowflake will illuminate.

15", 24" Single Zone, 24" Shallow Depth, and ADA Controls

To Set Target Temperature

Press and release the SET button. Display will show the current temperature setpoint.

To Change Setpoint Temperature

1. Press and hold the SET button until the display shows the current setpoint temperature with the "F" flashing.
2. Use the UP and DOWN arrow button to scroll to the desired temperature.

To Start A Manual Defrost (Freezer Models Only)

Press the DEFROST button (melting snowflake).

To See Maximum Stored Temperature

Press the UP arrow button to see the maximum stored temperature. To reset the maximum stored temperature, while displayed, press and hold the SET button until 'rst' flashes in the display.

To See Minimum Stored Temperature

Press the DOWN arrow button to see the minimum stored temperature. To reset the minimum stored temperature, while displayed, press and hold the SET button until 'rst' flashes in the display.

On/Off

Press the ON/OFF button to turn the unit on or off.






NOTE: Dependent on the model and configuration, the controllers have been programmed to only allow a temperature adjustment within a specified range. See the chart to right for the specified range allowed for your unit.



Signature Series – HP15 Models		
Model	Min Temp Set	Max Temp Set
HP15R	33° F	42° F
HP15B	33° F	48° F
HP15W	45° F	65° F
HP15T	33° F	42° F
Signature Series – HP24 Models		
Model	Min Temp Set	Max Temp Set
HP24R	33° F	42° F
HP24F	-10° F	10° F
HP24B	33° F	48° F
HP24W	45° F	65° F
HP24T	33° F	42° F
Signature Series Shallow Depth		
Model	Min Temp Set	Max Temp Set
HH24RS	33°	42°
HH24BS	33°	48°
HH24WS	45°	65°
C-Series Models		
Model	Min Temp Set	Max Temp Set
HC24RB	33°	42°
HC24BB	33°	48°
HC24WB	45°	65°
ADA-Compliant Series		
Model	Min Temp Set	Max Temp Set
HA24FB	-10°	10
HA24RB	33°	42°
HA24BB	33°	48°
HA24WB	45°	65°

LED Functions

The following table describes LED functions.

LED	Mode	Function
	ON	Compressor is on
	Flashing	Anti-short cycle delay is on
	ON	Defrost is on
	ON	Alarm is on
	Flashing	You are in the process of programming the unit

Audible alarm will sound if the door is left ajar for longer than one minute. Fully closing the door will clear the alarm condition, prolonged time spent with the door open can damage the equipment.



Perlick Residential is a division of Perlick Corporation

© 2021 Perlick Corporation

8300 West Good Hope Road, Milwaukee, WI 53223, USA

perlick.com • (800) 558-5592

Form No. Z2667-A
Rev. 09.02.2021