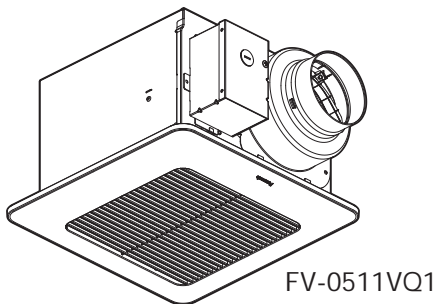


INSTALLATION INSTRUCTIONS

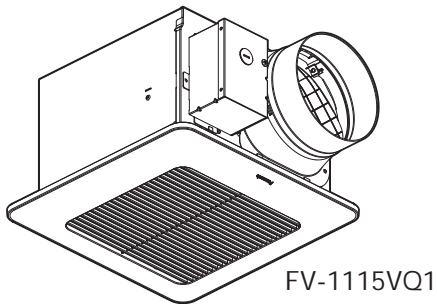
Ventilating Fan

Model No. FV-0511VQ1
FV-1115VQ1
FV-0511VQC1

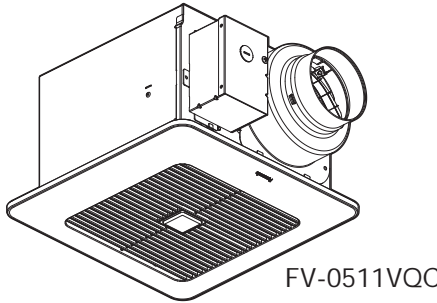
Representative models:



FV-0511VQ1



FV-1115VQ1



FV-0511VQC1

Contents

GENERAL SAFETY INFORMATION	2~3
DESCRIPTION	4
UNPACKING	4
SUPPLIED ACCESSORIES	4
DIMENSIONS	5
WIRING DIAGRAM	6
SELECTOR INDICATION (FV-0511VQC1 only)	6
OPERATION (FV-0511VQC1 only)	7
FEATURE	7
INSTALLATION (NEW CONSTRUCTION)	8~9
INSTALLATION (RETROFIT)	10
MAINTENANCE (CLEANING)	10~11
PRACTICAL GUIDE TO INSTALLATION	11
SPECIFICATIONS	BACK COVER
PRODUCT SERVICE	BACK COVER

READ AND SAVE THESE INSTRUCTIONS

Thank you for purchasing this Panasonic product.

Please read these instructions carefully before attempting to install, operate or service the Panasonic product. Please carefully read the "GENERAL SAFETY INFORMATION". Failure to comply with instructions could result in personal injury or property damage.

Please explain to users how to operate and maintain the product after installation, and this booklet should be presented to users.

Please retain this booklet for future reference.



GENERAL SAFETY INFORMATION

For Your Safety

To reduce the risk of injury, loss of life, electric shock, fire, malfunction, and damage to equipment or property, always observe the following safety precautions.

Explanation of symbol word panels

The following symbol word panels are used to classify and describe the level of hazard, injury, and property damage caused when the denotation is disregarded and improper use is performed.



Denotes a potential hazard that could result in serious injury or death.



Denotes a hazard that could result in minor injury.



Denotes a hazard that could result in property damage.

The following symbols are used to classify and describe the type of instructions to be observed.

	This symbol is used to alert users to a specific operating procedure that must be followed in order to operate the unit safely.
	This symbol is used to alert users to a specific operating procedure that must not be performed.
	This symbol is used to alert users not to disassemble the equipment.
	This symbol is used to alert users to make sure of grounding when using the equipment with the grounding terminal.












To reduce the risk of fire, electric shock or injury to persons, observe the following :










- Use this unit only in the manner intended by the manufacturer. If you have any questions, contact the manufacturer.
- Before servicing or cleaning unit, switch power off at service panel and lock the service disconnecting means to prevent power from being switched on accidentally. When the service disconnecting means cannot be locked, securely fasten a prominent warning device, such as a tag, to the service panel.
- Installation work and electrical wiring must be done by qualified person(s) in accordance with all applicable codes and standards, including fire-rated construction.
- Sufficient air is needed for proper combustion and exhausting of gases through the flue (chimney) of fuel burning equipment to prevent back drafting. Follow the heating equipment manufacturer's guideline and safety standards such as those published by the National Fire Protection Association (NFPA), and the American Society for Heating, Refrigeration and Air Conditioning Engineers (ASHRAE) and the local code authorities.
- When cutting or drilling into wall or ceiling, do not damage electrical wiring and other hidden utilities.
- Ducted fans must always be vented to the outdoors.
- If this unit is to be installed over a tub or shower, it must be marked as appropriate for the application and be connected to a GFCI (Ground Fault Circuit Interrupter) - protected branch circuit.

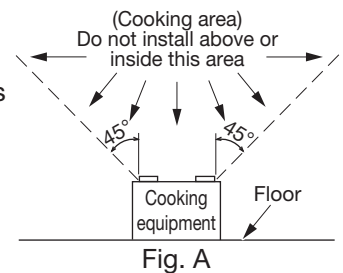
GENERAL SAFETY INFORMATION CONTINUED

WARNING

-  These models are UL listed for tub and shower enclosures.
-  Canada only: Not to be installed in a ceiling thermally insulated to a value greater than R40.
-  Do not disassemble the unit for reconstruction. It may cause fire or electric shock.
-  A statement to the effect that when the product is to no longer be used, it must not be left in place but removed, to prevent it from possibly failing.
-  Ceiling joist must be subjected to static load more than five times the weight of the product.
-  Do not install with a method which is not approved in the instructions.
-  Do not use this fan with any solid-state speed control device. Solid state controls may cause harmonic distortion which can cause motor humming noise.
-  This product must be properly grounded.
-  Install the fan at least 1.5m(5feet) above the floor, and the fan must be installed above a counter or major appliances that serves as a barrier.

CAUTION

-  Do not install this ventilating fan where interior room temperature may exceed 104°F (40°C)
-  Make sure that the electric service supply voltage is AC 120V, 60Hz.
-  Follow all local electrical and safety codes, as well as the National Electrical Code (NEC) and the Occupation Safety and Health Act (OSHA).
-  Always disconnect the power source before working on or near the fan, motor or junction box.
-  Protect the supply wiring from sharp edges, oil, grease, hot surfaces, chemicals or other objects.
-  Do not kink the supply wiring.
-  For general ventilating use only. Do not use to exhaust hazardous or explosive materials and vapors.
-  Not for use in cooking area. (Fig.A)
-  The special-purpose or dedicated parts, such as mounting fixtures, must be used if such parts are provided.



GENERAL SAFETY INFORMATION CONTINUED

NOTICE



Provide make up air for proper ventilation.



Do not install the unit where ducts are configured as shown in below.



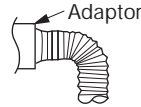
Excessive bending



Successive bending



Squeezed duct



Bend close to duct adaptor



When one switch is connected with two or more products in parallel, the unit may not function. Therefore, parallel connection should not be allowed.

DESCRIPTION

These products are listed by UL under UL file No. E78414.

These products use a sirocco fan driven by a DC motor powered by an integral transformer. The motor is designed to have long operating life, high dynamic response, higher speed ranges with saving energy. The grille covering the fan body is a spring-loaded, quick remove type. A damper for preventing air counter flow is provided. The blower uses a high-capacity sirocco fan developed to reduce the noise level.


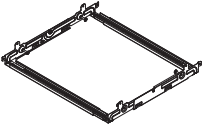
(FV-0511VQC1 only)

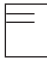


This Panasonic ventilating fan model is equipped with a motion sensor and a humidity sensor that turn on automatically when motion is detected, when humidity increases rapidly, or when humidity rises above a 30% ~ 80% relative humidity set-point. It is user-adjustable to operate 0.5 ~ 60 minutes after the sensors are no longer detected.

UNPACKING

Unpack and carefully remove the unit from carton.
Refer to the Supplied Accessories list to verify that all parts are present.

SUPPLIED ACCESSORIES

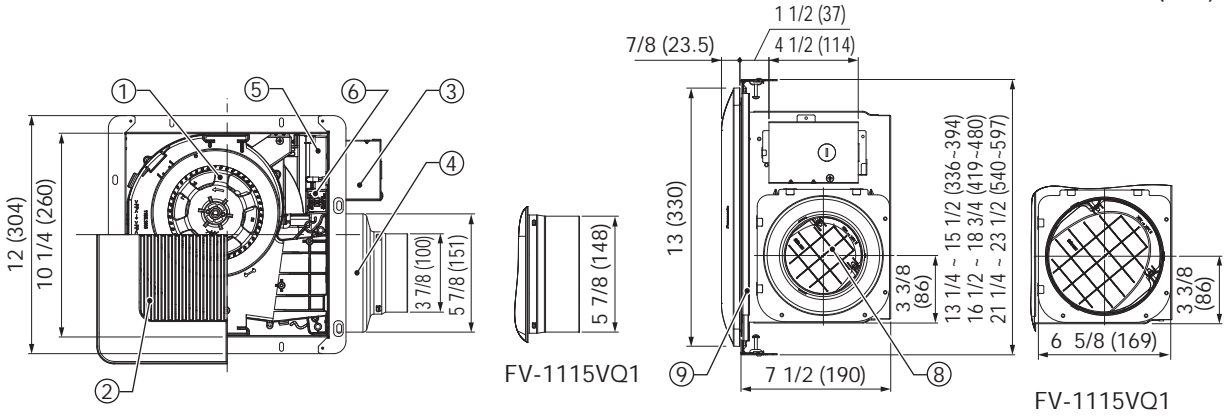
Part name	Appearance	Quantity
Grille		1
Flex-Z Fast™ bracket (with 4 tapping screws -ST4.2X20)		1

Part name	Appearance	Quantity
Warranty sheet		1
Installation instructions		1
Self-drilling screw		4

DIMENSIONS

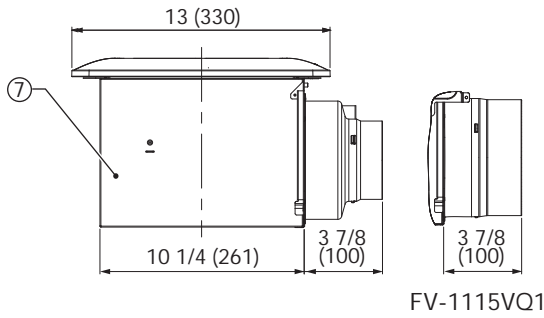
FV-0511VQ1 , FV-1115VQ1

Unit: inches (mm)



FV-1115VQ1

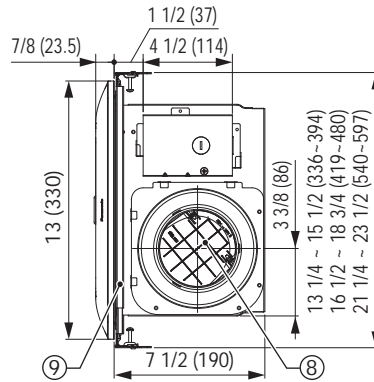
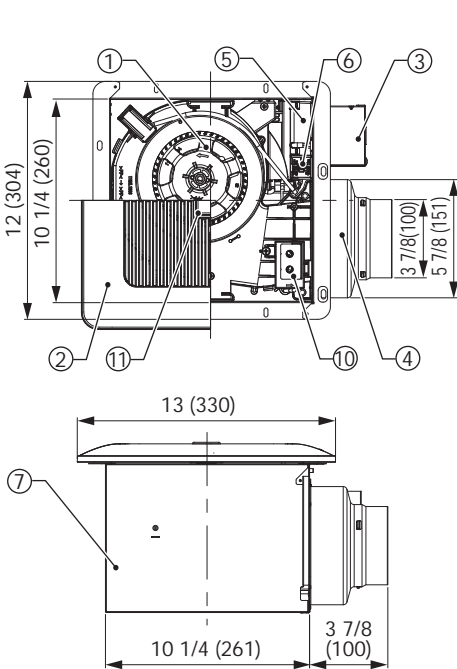
FV-1115VQ1



FV-1115VQ1

No.	Part name	No.	Part name
①	Blade	⑥	Pick-A-Flow switch
②	Grille	⑦	Fan body
③	Junction box	⑧	Damper
④	Adaptor	⑨	Flex-Z Fast™ bracket
⑤	PCB box		

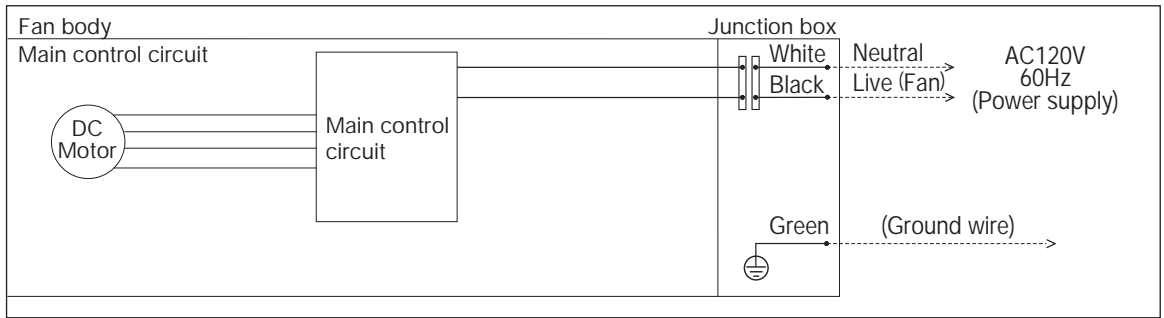
FV-0511VQC1



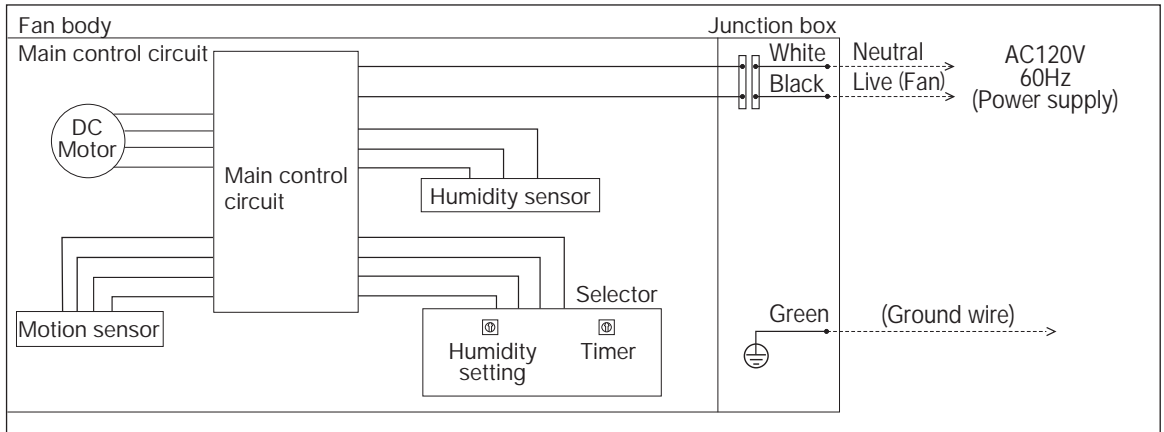
No.	Part name	No.	Part name
①	Blade	⑦	Fan body
②	Grille	⑧	Damper
③	Junction box	⑨	Flex-Z Fast™ bracket
④	Adaptor	⑩	Selector
⑤	PCB box	⑪	Motion sensor location
⑥	Pick-A-Flow switch		

WIRING DIAGRAM

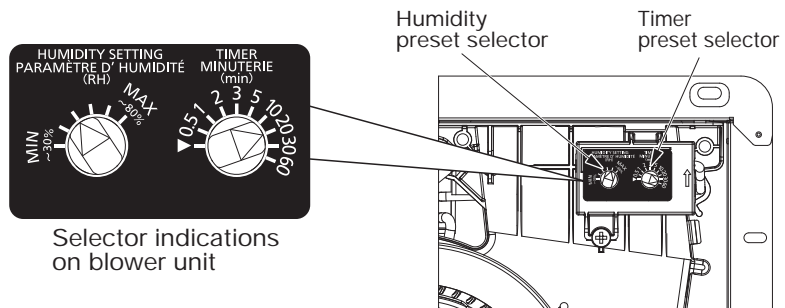
FV-0511VQ1 , FV-1115VQ1



FV-0511VQC1



SELECTOR INDICATION (FV-0511VQC1 only)



Humidity selector range from around 30% to 80%

Factory setting is around 50%.

Timer preset selector positions

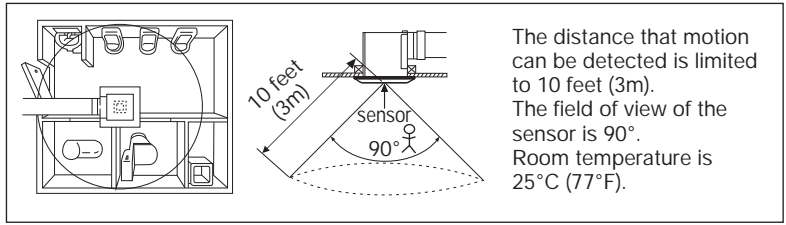
Timer [min]	▶	0.5	1	2	3	5	10	20	30	60
-------------	---	-----	---	---	---	---	----	----	----	----

Factory setting : 20 minutes.

Position "▶" : For factory use

OPERATION (FV-0511VQC1 only)

- Panasonic ventilating fan responds to:
 - (1) Motion sensor detectible condition.
 - (2) Humidity sensor detectible condition.



- Motion sensor detectible condition
 - The delay time is determined by timer preset switch.
 - The unit continues running for an adjustable duration of 0.5 to 60 minutes, after motion is no longer detected.

Human activity	INSIDE		OUTSIDE	
Fan activity	Stop	When motion is detected, fan runs	Remains running until the delay time has passed	

- 1. The product will run when environment humidity rise rapidly but not reach to the humidity setting, and stop after delay preset time.
- 2. Humidity setting selector is stepless change between 30 %RH~80 %RH.
- 3. The humidity detected by sensor may differ from the value on your hygrometer.
- 4. The product may turn on and off cause by the unstable environment humidity, you can improve it by adjusting the Humidity setting selector.

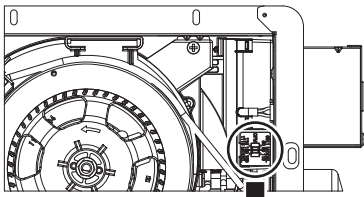
FEATURE

Optimum Ventilation Performance:

Duct length, elbows and other factors increase static pressure which can hinder the performance of most ventilation fans. This fan utilizes Smart Flow microchip technology that monitors the static pressure in the system and speeds up or slows down the rpm of the fan depending upon the amount of resistance within the ducts. This feature allows the fan to perform as rated and avoid potential installation issues.

Outstanding Energy Savings:

The WhisperCeiling ventilating fans are built using DC motor technology. The DC motor is 30% - 70% more energy efficient than the AC motor.

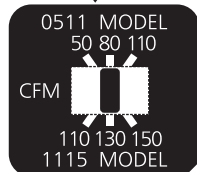


Pick-A-Flow Feature

All the WhisperCeiling ventilating fans come with Pick-A-Flow speed options. The Pick-A-Flow switch on the face of all WhisperCeiling ventilating fans allow the option to choose 50 - 80 - 110 CFM for the FV-0511VQ1 or 110 - 130 - 150 CFM for the FV-1115VQ1.

These fans can run with constant air volume depending upon the needs of the owner.

Pick-A-Flow switch



	Air volume(CFM)			Factory setting
FV-0511VQ1	50	80	110	80 CFM
FV-1115VQ1	110	130	150	130 CFM
FV-0511VQC1	50	80	110	80 CFM

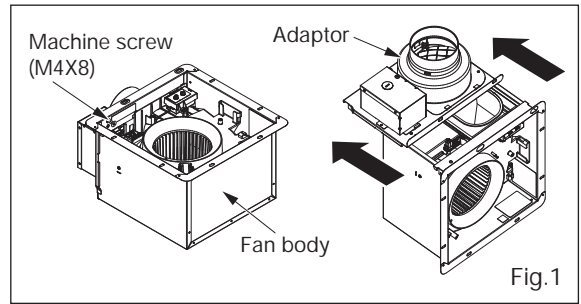
INSTALLATION (NEW CONSTRUCTION)

The fan position between joists from 16" to 24" on center can be adjusted flexibly.

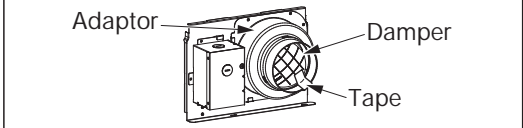
CAUTION

! Please wear gloves during the installation work as follow.

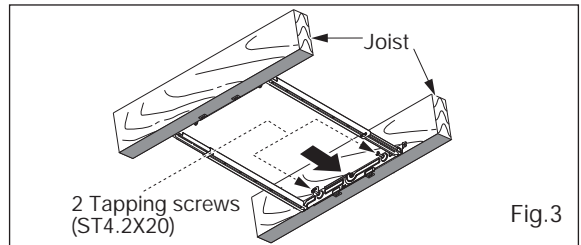
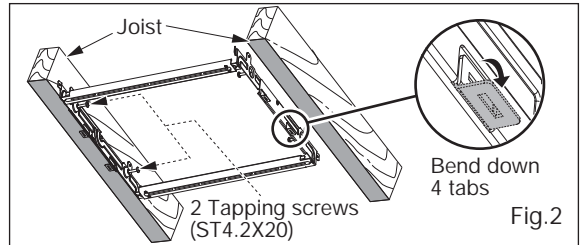
1. Disconnect plug connector from receptacle (Fig.6) and remove adaptor from fan body by removing the machine screw (M4X8) before installation. (Fig.1)



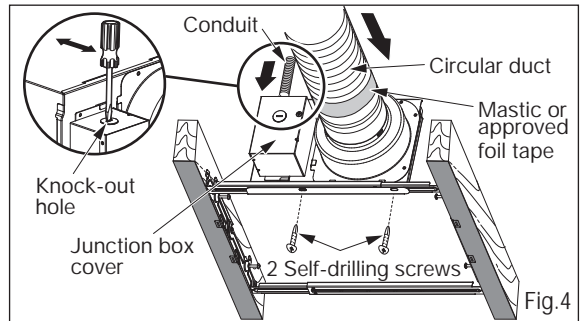
IMPORTANT:
Remove the tape from damper and adaptor before installation. As shown below:



2. Bend down 4 tabs for positioning, install the Flex-Z Fast™ bracket to joists by drilling 2 tapping screws which have been fixed on it. (Fig.2)
3. Adjust the length of Flex-Z Fast™ bracket as the spacing between joists, and install to joists by drilling the other 2 tapping screws which have been fixed on it. (Fig.3)



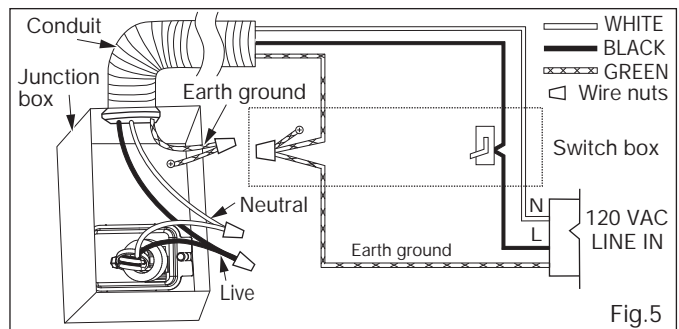
4. Remove junction box cover and secure conduit or stress relief to junction box knock-out hole. (Fig.4)
5. Install a circular duct and secure it with clamps, or ties and seal it with mastic or approved foil tape. A 4 or 6 inch circular duct is needed to connect to relevant part of adaptor. (Fig.4)
6. Install the adaptor to Flex-Z Fast™ bracket by using 2 self-drilling screws. (Fig.4)



7. Refer to WIRING DIAGRAM. Follow all the local electrical safety codes as well as the National Electrical Code (NEC). Using UL approved wire nuts, connect house power wires to ventilating fan wires. (Fig.5)

CAUTION

! Mount junction box cover carefully so that lead wires are not pinched.



INSTALLATION (NEW CONSTRUCTION) CONTINUED

8. Insert fan body and slide into adapter assy with some strength, until the flange overlaps the Flex-Z Fast™ bracket. Secure the fan body to Flex-Z Fast™ bracket by using 2 self-drilling screws, plug connector to receptacle and secure the fan body to adaptor by using machine screw (M4X8). (Fig.6)



CAUTION



Secure machine screw (M4X8) to the suitable hole and not touch the Flex-Z Fast™ bracket. Please fix the screw carefully to avoid screw slip teeth.

9. Finish ceiling work. Ceiling hole should be aligned with the inside edge of the flange. (Fig.7)

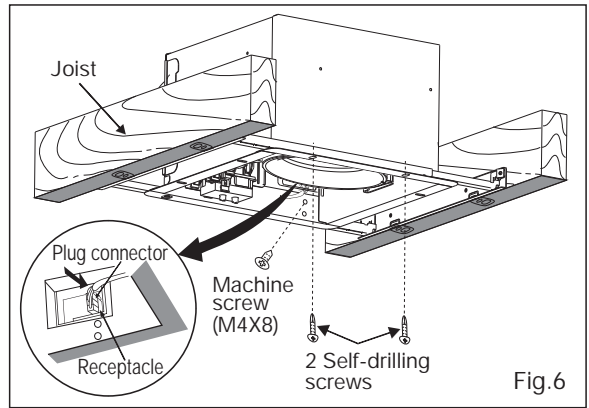


Fig.6

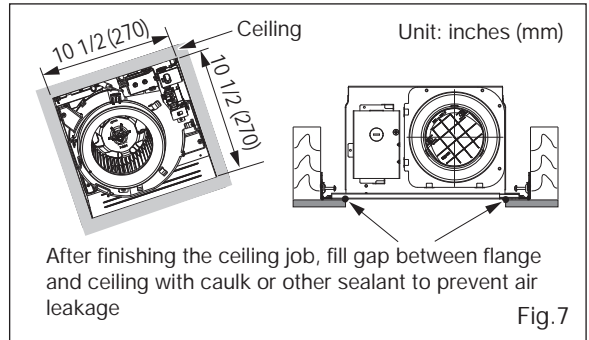


Fig.7

10. Insert the grille mounting spring on the wiring side into the slot. (Fig.8)
11. Insert the motion sensor on the grille and dress the wire as shown. (Fig. 8)
12. Adjust Pick-A-Flow switch.(Refer to indication on FEATURE)

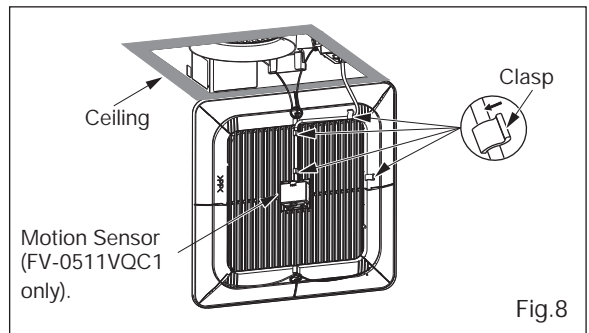


Fig.8

13. Insert the other mounting spring into the slot as shown and mount grille to fan body. (Fig.9)

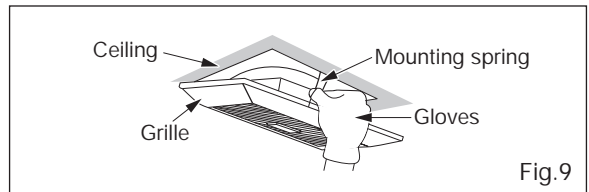


Fig.9




CAUTION



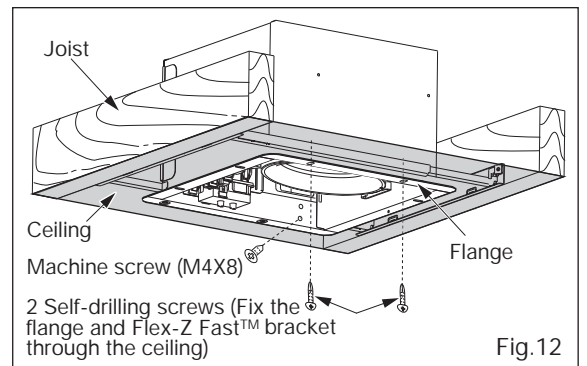
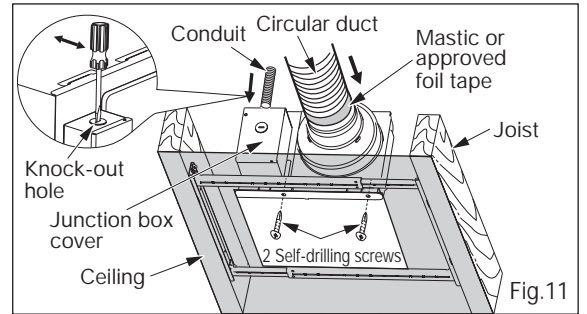
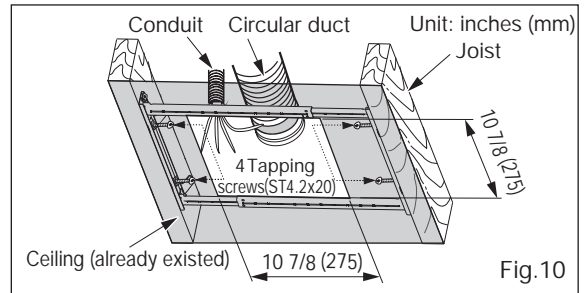
Mount grille carefully so that lead wire is not pinched.

INSTALLATION (RETROFIT)


WARNING

 Disconnect power source before working on unit.

1. Remove the existing fan and cut ceiling opening. Secure the Flex-Z Fast™ bracket to joists by drilling 4 tapping screws (ST4.2x20) which have been fixed on it. Existing ductwork and wiring left in place. (Fig.10)
2. Follow the step 1 , 4 , 5 , 7 on INSTALLATION (NEW CONSTRUCTION). (Before connect the circular duct to the adaptor, should pull down the circular duct from the ceiling)
3. Install the adaptor to Flex-Z Fast™ bracket by using 2 self-drilling screws. (Fig.11)
4. Secure the fan body to Flex-Z Fast™ bracket by using 2 self-drilling screws, plug connector to receptacle and secure the fan body to adaptor by using machine screw (M4X8). (Fig.12)




CAUTION

 Secure machine screw (M4X8) to the suitable hole and not touch the Flex-Z Fast™ bracket. Please fix the screw carefully to avoid screw slip teeth.


5. Follow the step 10 to 13 on INSTALLATION (NEW CONSTRUCTION).


MAINTENANCE (CLEANING)


WARNING


 Disconnect power source before working on unit.

CAUTION

 Routine maintenance must be done every year. Please wear gloves during the cleaning work.

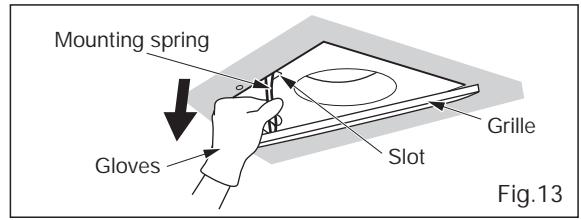
 Never use gasoline, benzene, thinner or any other such chemicals for cleaning the ventilating fan.

 Do not immerse motor in water when cleaning. Do not soak resin parts in water over 140°F (60°C).

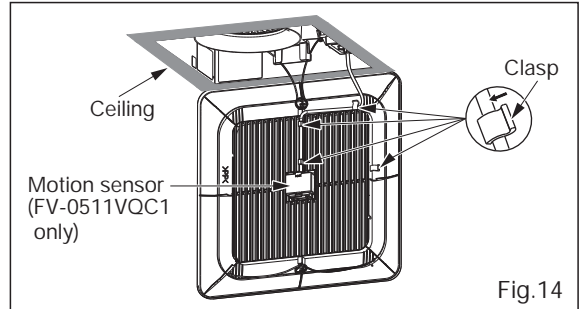
 Do not use cleaning sprays, solvents, or water on or near the sensors.

MAINTENANCE (CLEANING) CONTINUED

1. Remove grille by pulling down one mounting spring (Fig.13), then pull down the other. (Pull down the mounting spring that without lead wire passed side, and remove motion sensor as shown in Fig.14) (Squeeze mounting spring and pull down carefully)

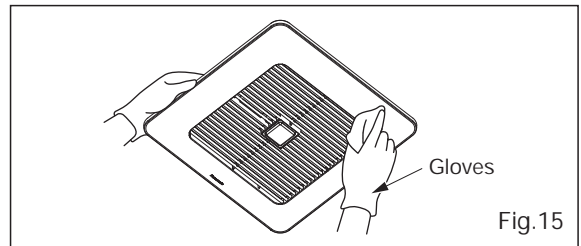


2. Clean grille. (Don't put into hot water. Use non-abrasive kitchen detergent, wipe dry with clean cloth) (Fig.15)



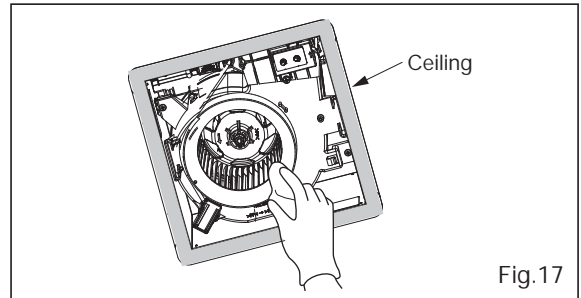
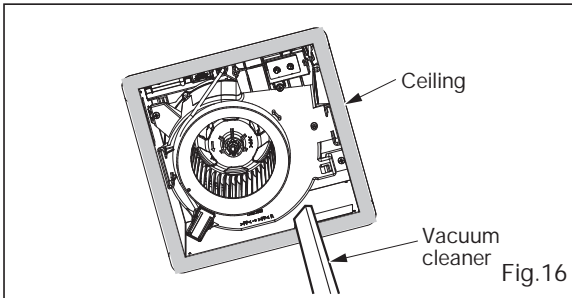
3. The grille should be dry after cleaning.

4. Remove dust and dirt from fan body using a vacuum cleaner. (Fig.16)



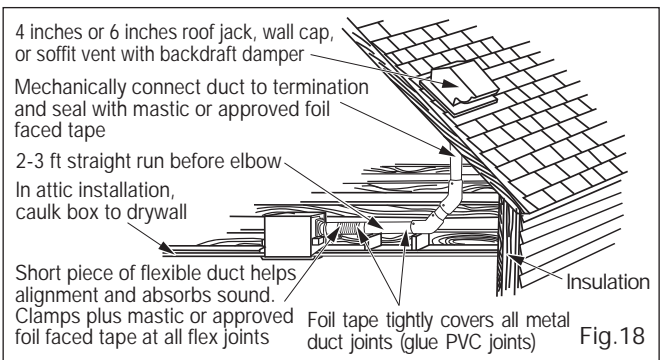
5. Using a cloth dampened with kitchen detergent, remove any dirt from fan body. Wipe dry with clean cloth. (Fig.17)

6. Reinstall grille.



PRACTICAL GUIDE TO INSTALLATION

Properly insulate the area around the fan to minimize building heat loss and gain. (Fig.18) Loose fill or batt insulation can be placed directly over the fan housing in the attic. Our fans does not create excessive heat that is a common problem with recessed light fixtures or some competitor's fan/light combination. Our efficient, cool-running motors do not create enough ambient heat to be subjected to these limitations. The ducting from this fan to the outside of the building has a strong effect on the air flow, noise and energy use of the fan. Use the shortest, straightest duct routing possible for best performance, and avoid installing the fan with smaller ducts than recommended. Insulation around the ducts can reduce energy loss and inhibit mold growth. Fans installed with existing ducts may not achieve their rated air flow.



SPECIFICATIONS

Model No.	Air direction	Voltage (V)	Frequency (Hz)	Duct diameter (inches)	Air volume at 0.1" WG (CFM)	Noise (sones)	Speed (rpm)	Power (W)	Weight lb.(kg)
FV-0511VQ1	Exhaust	120	60	4 or 6	50	<0.3	756	4.1	9.3(4.2)
					80	<0.3	821	6.0	
					110	<0.3	957	10.8	
FV-1115VQ1	Exhaust	120	60	6	110	<0.3	636	6.9	9.5(4.3)
					130	<0.3	671	9.1	
					150	<0.3	698	11.9	
FV-0511VQC1	Exhaust	120	60	4 or 6	50	<0.3	756	4.1	9.5(4.3)
					80	<0.3	821	6.0	
					110	<0.3	957	10.8	

HVI Certified performance based on HVI Procedures 915, 916, and 920.

PRODUCT SERVICE

Warning Concerning Removal of Covers. The unit should be serviced by qualified technicians only. Your product is designed and manufactured to ensure a minimum of maintenance. Should your unit require service or parts, call Panasonic Call Center at 1-866-292-7299 (USA) or 1-800-669-5165 (Canada).

Panasonic Corporation of North America
Two Riverfront Plaza, Newark, NJ 07102
www.panasonic.com

Panasonic Canada Inc.
5770 Ambler Drive, Mississauga, Ontario L4W 2T3
www.panasonic.ca