

JACOBEAN

Single Hole Lavatory Faucet

2473

Features

- Solid brass construction
- Forged brass body with side-mounted handle
- Euro-motion ceramic disc 25 mm valve cartridge
- Spout assembly with integral supply hoses
- Lift-and-turn drain with tailpiece
- 5.60" (14.2 cm) spout height at outlet
- 5.89" (15.0 cm) spout reach (c-c)
- For single hole configurations
- ADA Compliant
- 1.2 GPM (4.5 LPM) Max

Codes / Standards Compliance

Meets or exceeds the following at date of manufacture:

- ASME A112.18.1/CSA B125.1
- IAMPO/cUPC
- NSF/ANSI 61, SECTION 9
- NSF/ANSI 372
- IPC
- ADA & ICC/ANSI A117.1
- Energy Policy Act of 1992
- EPA WaterSense
- California Energy Commission
- All applicable US Federal and State material regulations

Colors / Finishes

- 10B: Oil Rubbed Bronze
 - 15: Polished Nickel
 - 15S: Satin Nickel - PVD
 - 26: Polished Chrome
- Other: Refer to the Newport Brass catalog for additional color/finish options.



Specified Model

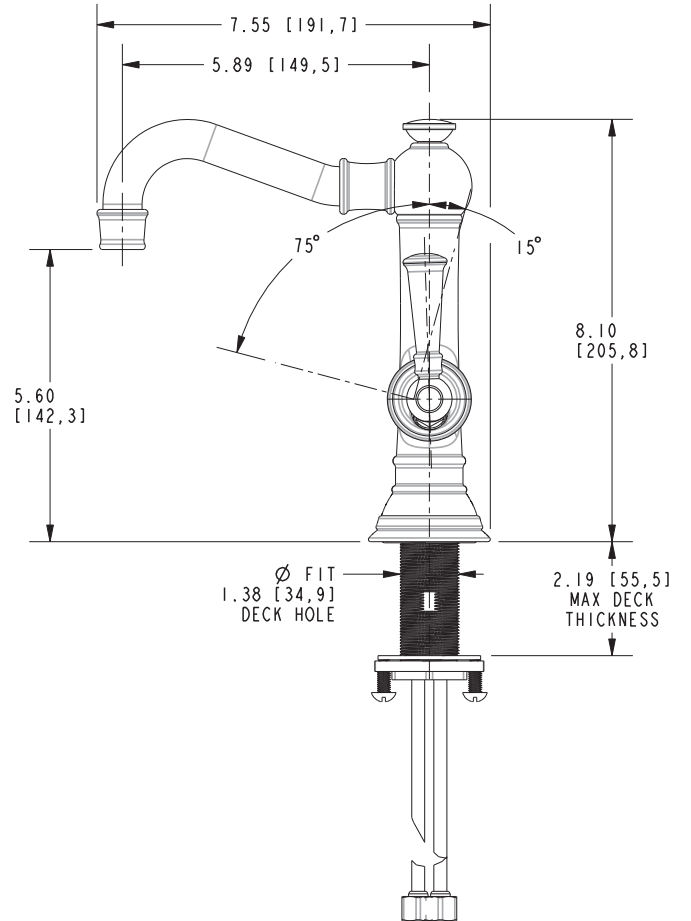
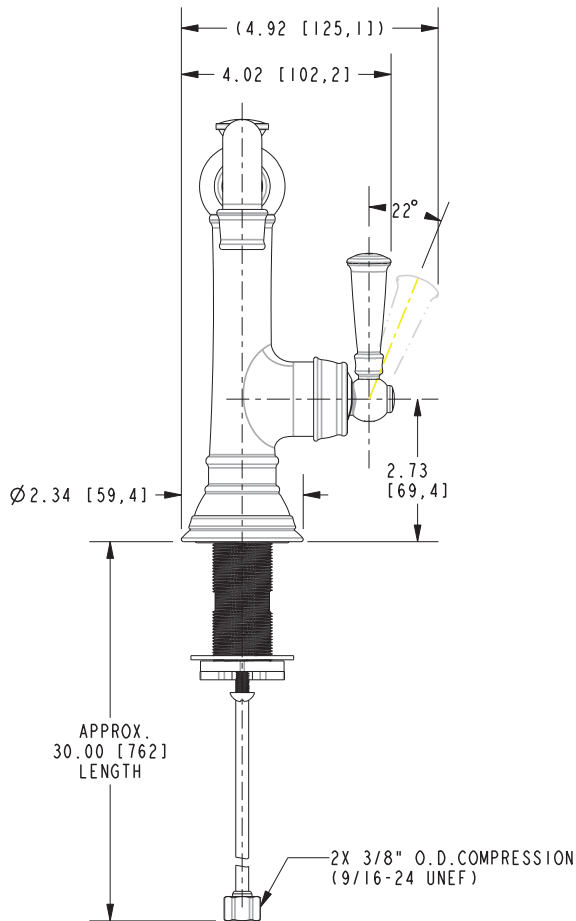
Model	Description	Colors Finishes
2473	Single Hole Lavatory Faucet	<input type="checkbox"/> 10B <input type="checkbox"/> 15 <input type="checkbox"/> 15S <input type="checkbox"/> 26 <input type="checkbox"/> Other

Product Specification Add "Color / Finish" suffix to Model number, below.

The Single Handle Lavatory Faucet shall be made of solid brass construction. Faucet shall feature forged brass body with side-mounted Euro-motion ceramic disc 25 mm valve cartridge. Faucet shall have a 1.2 gallon (4.5 liter) per minute maximum flow rate. Product shall accommodate single hole configurations. Product shall incorporate a 5.60" (14.2 cm) spout height at outlet and a 5.89" (15.0 cm) spout reach (c-c). Single Handle Lavatory Faucet shall be Newport Brass Model 2473/_____.

2473

Product Dimensions are provided for reference only. For specific product installation guidelines, please reference the Installation Instructions of the product being installed.



Jacobean Single Hole Lavatory Faucet 2473