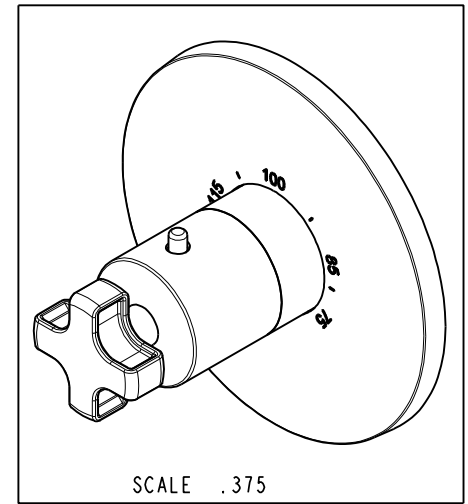
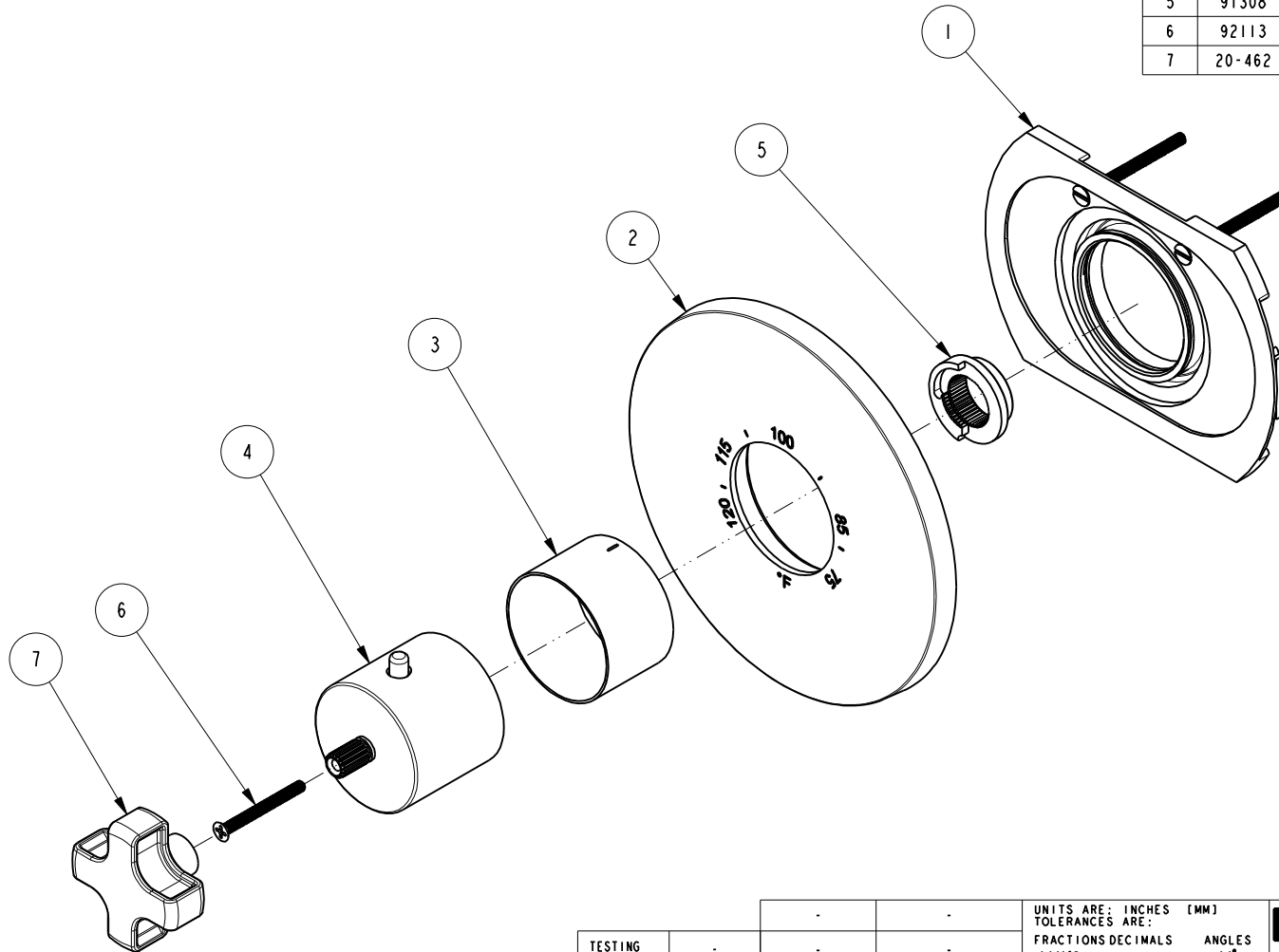


NOTES:

(NI) 1. FIT / FORM / FUNCTION SHALL FOLLOW PS-E.008.

BILL OF MATERIAL (CURRENT LEVEL)

ITEM	PT/ASSY	DESCRIPTION	TYPE	QTY.
1	1-331	THERMO WALL PLATE ASM	ASSEMBLY	1
2	12120	THERMO PLATE	PART	1
3	11029	SLEEVE - THERMO	PART	1
4	20-176	THERMO BONNET ASM	ASSEMBLY	1
5	91308	TEMP LIMIT STOP - THERMO	PART	1
6	92113	SCRW, M4 X .7 X 40 PHL FLT HD SS	PART	1
7	20-462	CROSS HANDLE ASM	ASSEMBLY	1



COPYRIGHT 2005 BRASSTECH, INC. THESE DRAWINGS AND THE DESIGNS DEPICTED HEREIN ARE THE PROPRIETARY PROPERTY OF BRASSTECH. ANY USE OR REPRODUCTION IS SUBJECT TO THE EXPRESS APPROVAL OF BRASSTECH. UNAUTHORIZED USE IS STRICTLY PROHIBITED. ALL RIGHTS RESERVED.

TESTING	-	-	-
ASSEMBLY	-	-	-
PLATING	-	-	-
POLISHING	-	NEXT ASSY	USED ON
MACHINING	-	APPLICATION	
TOOLING FIXTURE #	REMOVE ALL BURRS AND SHARP EDGES		

UNITS ARE: INCHES [MM]

TOLERANCES ARE:

FRACTIONS DECIMALS ANGLES
 $\pm 1/16"$.X $\pm .1$ [2.5] $\pm 1^\circ$
 .XX $\pm .06$ [1.5]

(X.XXX) DENOTES CRITICAL DIMS.
 ALL THREADS ARE CRITICAL

DRAWN JINSON 03/28/19
 CHECKED J.M. 03/28/19
 APPROVED J.M. 03/28/19

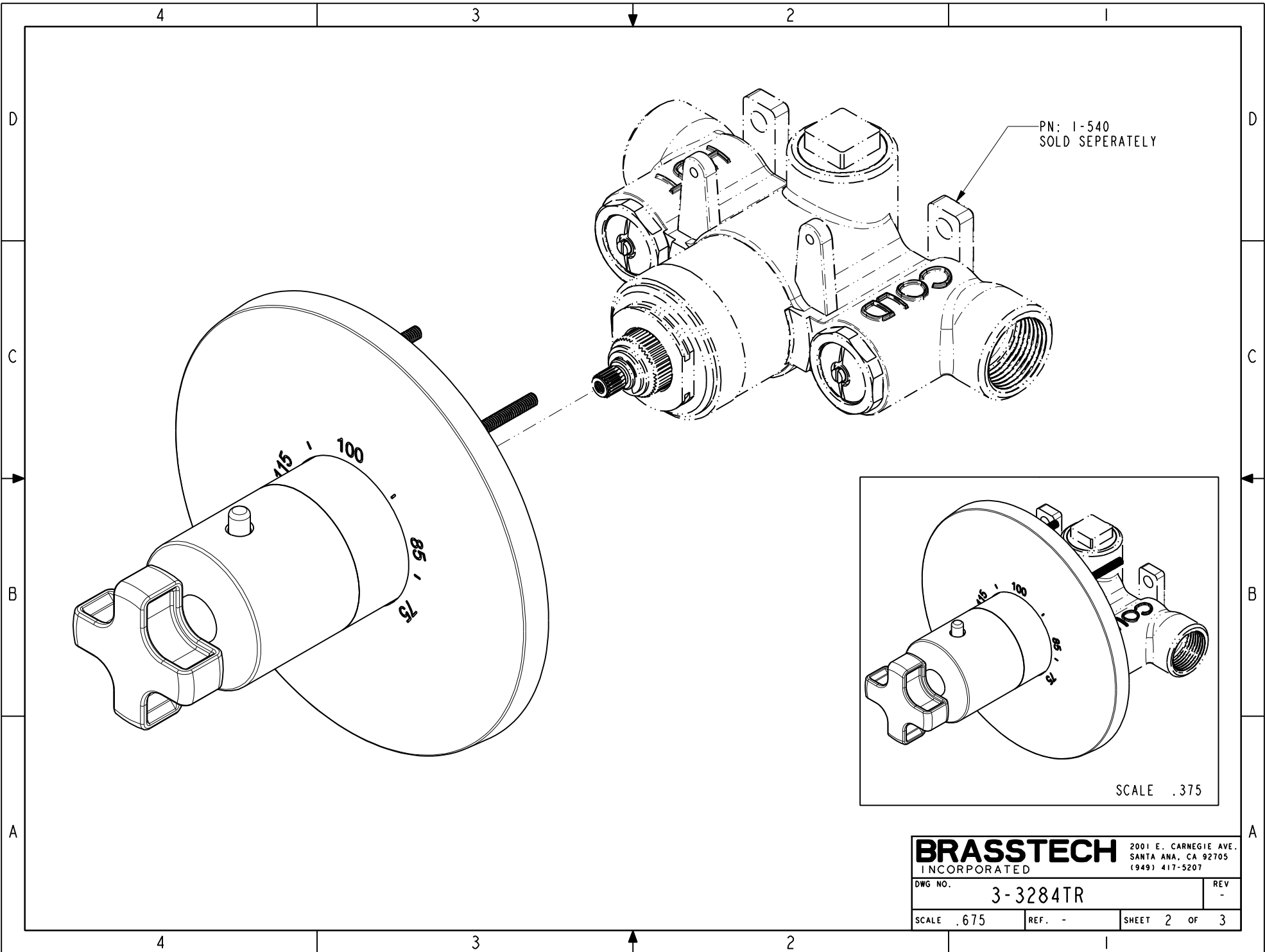
BRASSTECH
 INCORPORATED

2001 CARNEGIE AVE.
 SANTA ANA, CA 92705
 (949) 417-5207

3/4" THERMOSTATIC TRIM

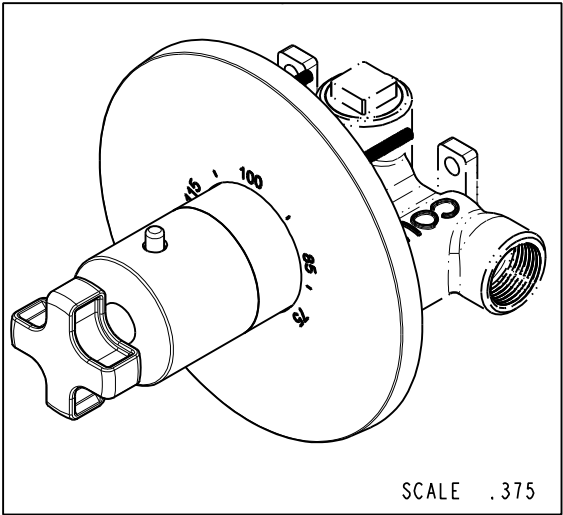
DWG NO. 3-3284TR REV -
 SCALE .400 REF. - SHEET 1 OF 3

ZONE	REV	DESCRIPTION	DATE	APPROVED
-	-	EN-3478	03/28/19	J.M.



PN: 1-540
SOLD SEPERATELY

115 / 100
85 / 75

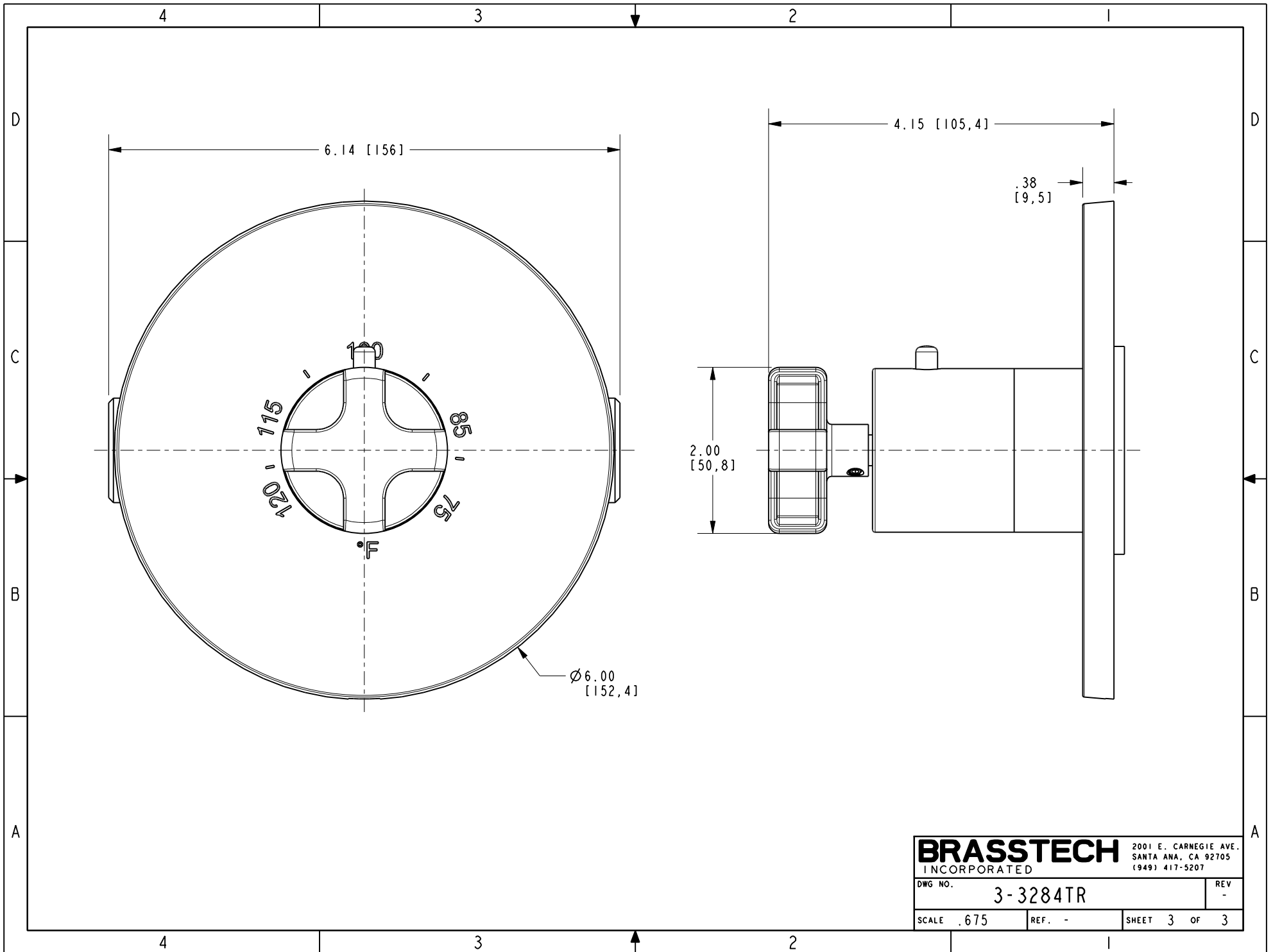


SCALE .375

BRASSTECH
INCORPORATED

2001 E. CARNEGIE AVE.
SANTA ANA, CA 92705
(949) 417-5207

DWG NO.	3-3284TR	REV	-
SCALE	.675	REF.	-
SHEET 2		OF 3	



BRASSTECH 2001 E. CARNEGIE AVE.
 INCORPORATED SANTA ANA, CA 92705
 (949) 417-5207

DWG NO.	3-3284TR	REV	-
SCALE	.675	REF.	-
SHEET 3		OF 3	