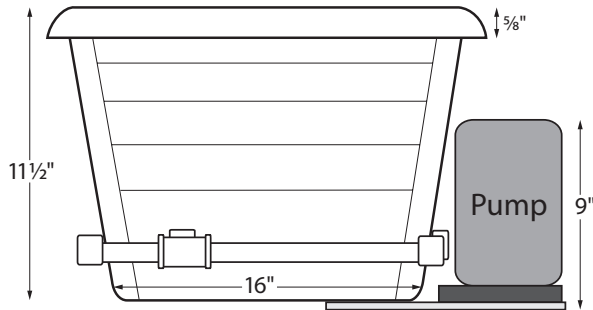
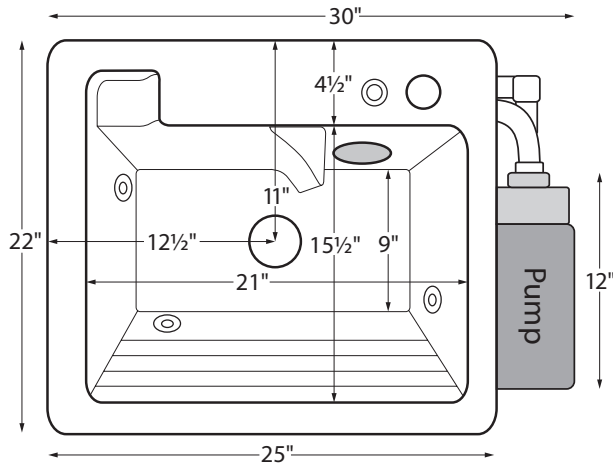


Jetted Laundry Sink 1

Part # - MTL-110J

25" x 22" x 11.5" deep  
Total width including pump: 30"



CSA # MTL-110J

**NOTE:** MTI recommends a single-lever type faucet, either with or without pull-out sprayer.

Before ordering or installing, please consider future access to equipment.



U.S. Pat # 6,289,530

**OPTIONS**

- White (MTLS-110JW) **\$1,235**
- Biscuit (MTLS-110JB) **\$1,250**

**ACCESSORIES**

- Timer - 10 min. *Installed at time of purchase (JJT)* **\$160**
- Drain Kit
  - Chrome (JJDKC) **\$230**, Brushed Nickel (JJDKBR) **\$350**
- Soft Scent - Laundry Sink Detergent
  - Pack of 3 (JJSOLBOT) **\$85**
  - Case of 12 (JJSOL) **\$135**
- Shipping Weight: 37 lbs

**CONSTRUCTION AND STANDARD FEATURES**

- Hole cutout should be 24" x 21" with 1" radius corners. Extend countertop / cabinet on right to accommodate pump.
- Durable cast Acrylic CXL® shell is extremely scratch- and stain-resistant.
- Non-porous, highly renewable surface.
- Reinforcement consisting of multi-layered backing of thick fiberglass / resin / titanium.
- 3 micro-jets.
- 1.0 bhp pump and suction fitting with removable filter.
- On / off control and 3-speed control knob.
- Accommodates 3.5" kitchen sink drain.
- Integrated washboard front and recessed soap dish in back.
- Comes without faucet holes. Up to 3 holes drilled by MTI at no additional charge upon request. Must specify location.
- CANNOT BE UNDERMOUNTED.
- Limited Residential Warranty: 5 years on sink shell; one year on all other components.

ELECTRICAL COMPONENTS & SPECIFICATIONS		
Required Electrical Service - 110 Volt		
Hydrotherapy Package	Components Included	GFCI
Whirlpool	1 hp pump	1-15 amp
See specific option details or installation information. CSA Certified C/US; ANSI Z124.1, Z124.6 1997 and ANSI 112.19.7 ASTM D2565		

- Before discarding tub crate, check for accessories that may be packaged inside.
- All product measurements are ±1/2".
- Specifications and configurations are subject to change without notice.
- Measurements herein supersede all others published prior to publication date below.

See the Installation & Operation Manual for more details.  
MTI's Customer Service: Monday-Friday 8am-6pm EST  
**800-783-8827** or [service@mtibaths.com](mailto:service@mtibaths.com)

