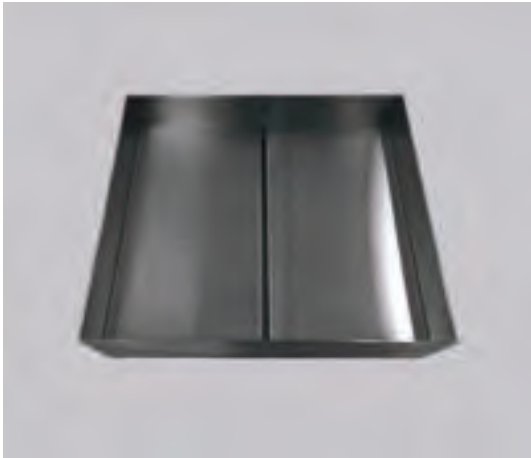
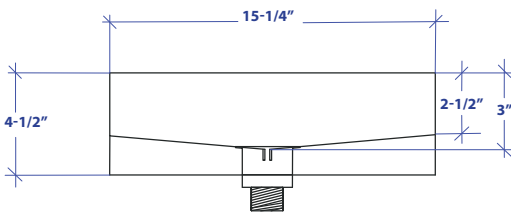
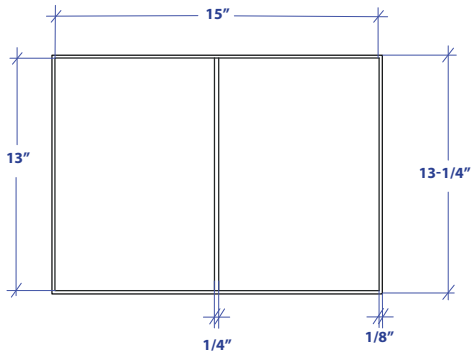


VESSEL MVB-301GPSB



*ADA compliant



- **FEATURES**

16-gauge type 304 stainless steel

- **TECHNICAL INFORMATION**

External dimension: 15-1/4"Lx13-1/4"Wx4-1/2"D
Basin dimensions: 15"Lx13"Wx3"D

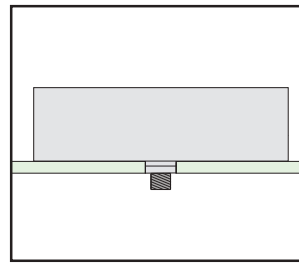
- **FINISHES**

Gray PVD Satin Brushed stainless steel

- **INSTALLATION OPTIONS**

Top-mount

- **TOP-MOUNT INSTALLATION**



Top-mount

PROJECT INFORMATION			
Project			
Date	/ /	QTY	
Specifier			
Contact			
Note			