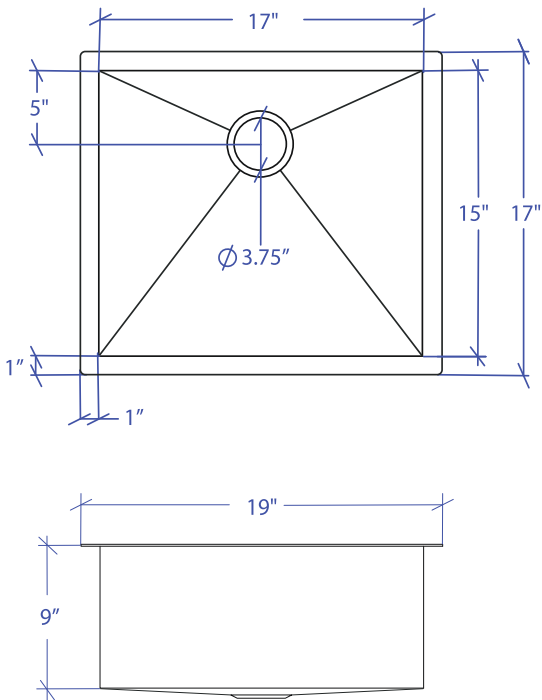


FLATIRON MUS-501SB



*Custom ADA compliant versions are available



• FEATURES

16-gauge type 304 stainless steel
90° zero radius design

• TECHNICAL INFORMATION

External dimension: 19" L x 17" W x 9" D
Basin dimensions: 17" L x 15" W x 9" D

• FINISHES

Satin Brushed stainless steel

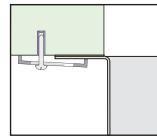
• INSTALLATION OPTIONS

Top-mount
Under-mount

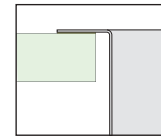
• MINIMUM CABINET SIZE (I.D.)

Top-mount 20"
Under-mount 22"

• DUAL-MOUNT INSTALLATION

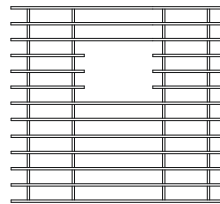


Under-mount

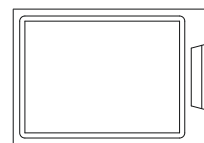


Top-mount

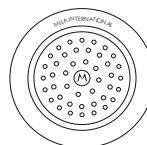
• ACCESSORY OPTIONS



MBG-053SB
Basin Grid



MCB-501BB
Cutting Board



MKD-101SB
Strainer

PROJECT INFORMATION

Project			
Date	/ /	QTY	
Specifier			
Contact			
Note			