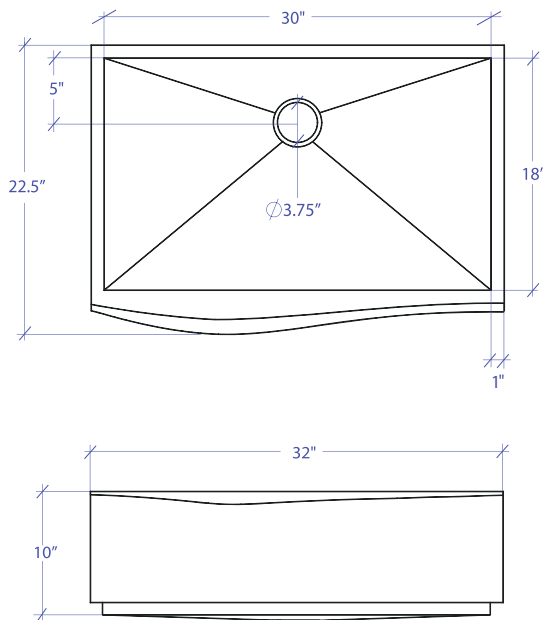


APRON FRONT MAS-805SB

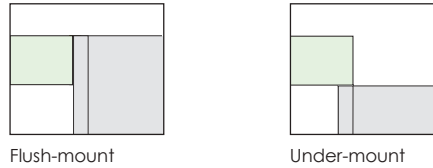


*Custom ADA compliant sinks are available

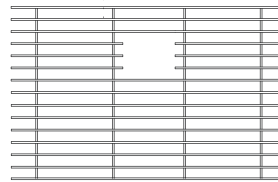


- **FEATURES**
16-gauge type 304 stainless steel
- **TECHNICAL INFORMATION**
External dimension: 32"Lx22.5"Wx10"D
Basin dimensions: 30"Lx18"Wx10"D
- **FINISHES**
Satin Brushed stainless steel
- **INSTALLATION OPTIONS**
Flush-mount
Under-mount
- **MINIMUM CABINET SIZE (I.D.)**
Flush-mount 35"
Under-mount 35"

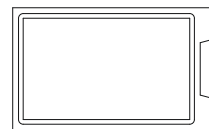
• DUAL-MOUNT INSTALLATION



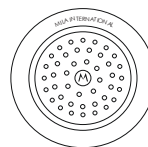
• ACCESSORY OPTIONS



MBG-086SB
Basin Grid



MCB-801BB
Cutting Board



MKD-101SB
Strainer

PROJECT INFORMATION			
Project			
Date	/ /	QTY	
Specifier			
Contact			
Note			