

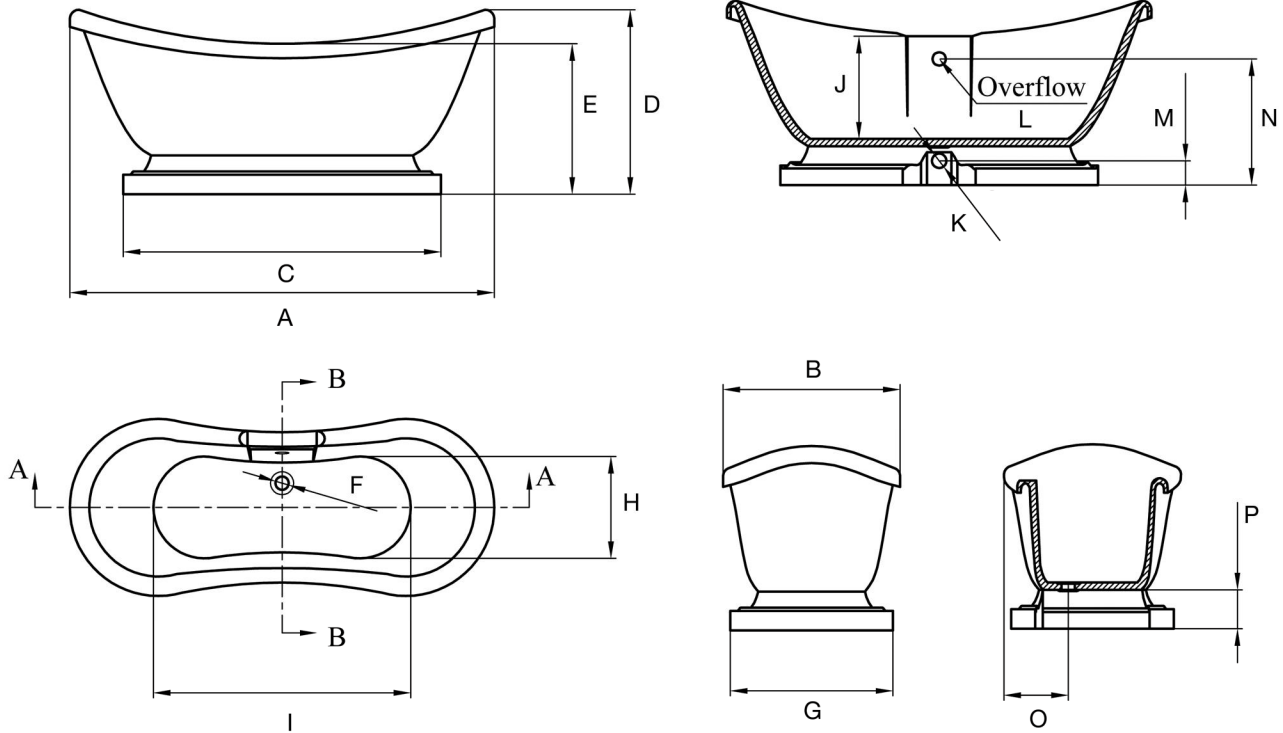


MAIDSTONE

www.MaidstoneSupply.com

Double Slipper

Part No:1202DS69



DIMENSIONS (INCHES)

	A	B	C	D	E	F	G	H	I	J	K	L	M	N	O	P
69	69	28 ³ / ₄	51 ¹ / ₂	29	23 ¹ / ₂	2	27	16 ¹ / ₂	41 ³ / ₄	16 ³ / ₄	2 ³ / ₈	2	4	19 ¹ / ₂	10 ¹ / ₂	5 ¹ / ₂

69

EMPTY (LB)	77
FILLED (LB)	511
CAPACITY (GAL)	52
WATER DEPTH (IN)	13

Approximate Measurements

Contact Maidstone for additional information and specifications. For complete warranty information and a list of dealers visit www.MaidstoneSupply.com. All products and specifications are subject to change without notice. Maidstone is not responsible for typographical and/or dimensional errors. Typographical errors are subject to correction.

Note: Rough-in dimensions may vary +/- 1/2" and are subject to change. No responsibility is assumed by Maidstone.