

La Scala Bathtub Item #TUB18

Features:

- Luster white acrylic soaking bathtub with overflow
- Free-standing installation
- Includes click-clack drain assembly in white finish
- Water capacity: 62 gal
- Net weight: 88 lbs
- Meets and exceeds the following standard: CSA B45.5-17
- Freight class 4 based on the Lacava Freight Program

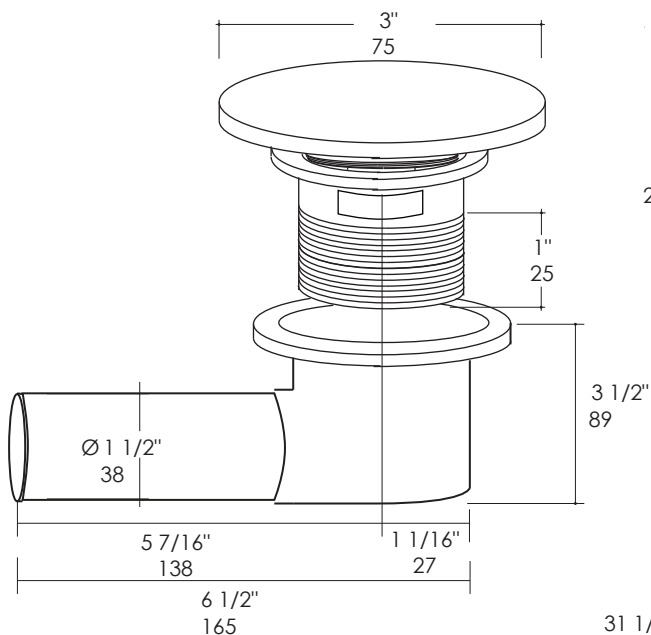
Material Structure:

- 4-5mm fiberglass structure coated in 4mm double coat acrylic
- Max weight capacity 661 lbs (300 kgs)

Finish Options:

001 - Luster White

Drain Specifications:



Notes:

Drawings provided herein are meant to give the user an idea of the product and are not made to scale. The size in inches is rounded up to the nearest 1/16". Slight variances can often occur with porcelain and woodwork. Therefore, LACAVA will not be held responsible for any cutouts, countertops, or furniture made without the actual product or template from LACAVA. Plumbing specifications are only a guideline and may need to be altered based on the application.

LACAVA is committed to the highest level of customer service. Please feel free to contact us at 1-888-522-2823 (toll free) or by email at info@lacava.com for technical assistance or any general inquiries.

Rev. 9-11-2018



Bathtub Specifications:

