

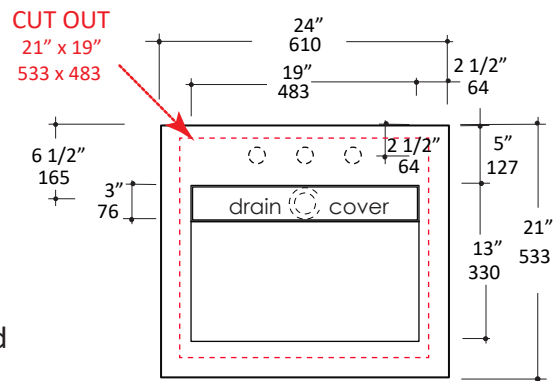
## Specifications:

<b>Installation:</b>	Vanity-top or drop-in
<b>Exterior Dimensions:</b>	24" w x 21" d x 6 1/2" h
<b>Material:</b>	Solid surface
<b>Weight:</b>	Matte white - 32 lbs Gloss white - 36 lbs
<b>Overflow:</b>	Yes
<b>Finishes:</b>	001M - Matte white 001G - Gloss white
<b>Faucet Holes:</b>	00 - no hole 01 - one centered hole 02 - two hole - center and right, 4" spread 03 - three hole, 8" spread
<b>Cutout size:</b>	21" x 19" (template available upon request)
<b>Faucet Hole Size:</b>	Ø 1 3/8"
<b>Drain Hole Size:</b>	Ø 1 3/4"



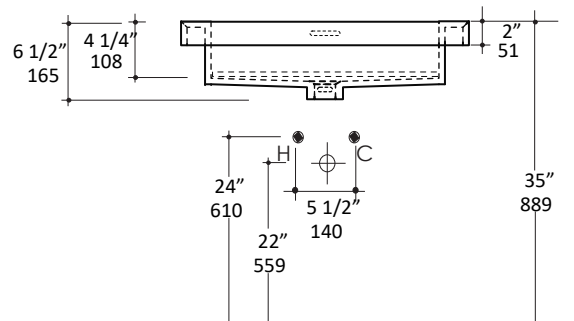
## Features:

- Solid surface sink with overflow
- Solid surface drain cover
- Material is heat, stain, scratch, chemical, and impact resistant
- Most standard American grid drains can also be used
- Finished back
- Unfinished bottom



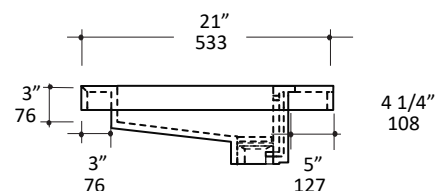
## Codes + Standards:

- Meets and exceeds applicable national codes and standards



## Recommended Items:

- Furniture
  - KUB-W-24 - Wall-mount under-counter vanity without metal trims; drawer with plumbing notch in back
  - KUB-W-24B - Wall-mount under-counter vanity without metal trims; two drawers with plumbing notch in back
  - KUB-LEG - Set of optional metal frame legs for vanity
- American grid drain with overflow
  - 7100-18OF



LACAVA reserves the right to revise any dimension or information on this sheet without notice. Dimensions are nominal and may vary within an industry accepted tolerance of 1/4". Drawings provided herein are meant to give the user an idea of the product and are not made to scale.  
Revised: 8/19/2019