

## Features

- Dimmable LED task lighting
- Integrated touch sensor control with memory
- Energy efficient LED lighting 5000K
- 1800 Lumens
- CRI 90+
- Integrated Defogger

## Construction

- Quality polished edge mirror
- Single phase wire installation
- 5 MM Silver Backed Copper Free
- Installation Either Surface Mount (Side Mirror Trim Panels included) or Recessed
- Includes installation hardware

## Codes/Standards Applicable

- Conforms to UL Std. 962
- Cert. to CSA Std. C22.2 No.250.0-08
- ETL Intertek 5004931



## Electrical System

- 120Vac, 60Hz, 31W
- Electric Current: 0.26A
- Wattage: 31W

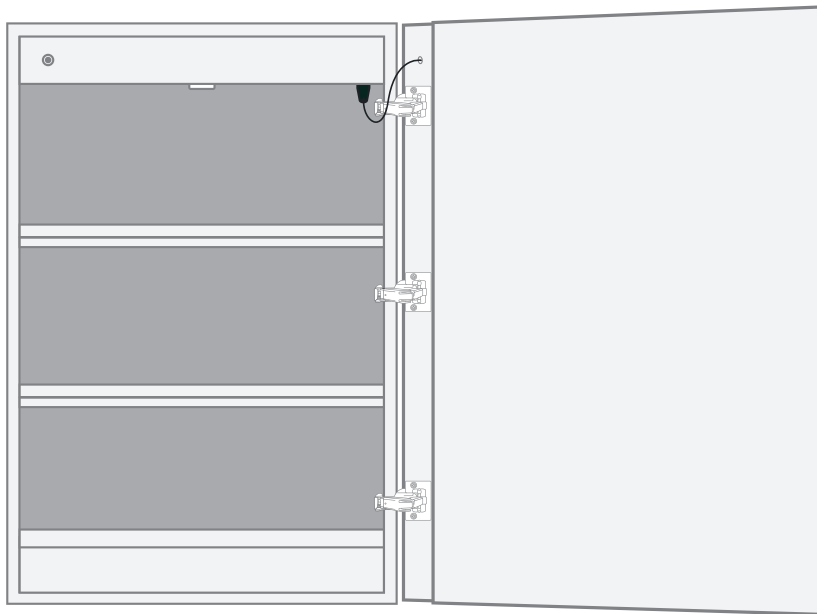
## Model

- Kinetic 2030 Right Swinging Door

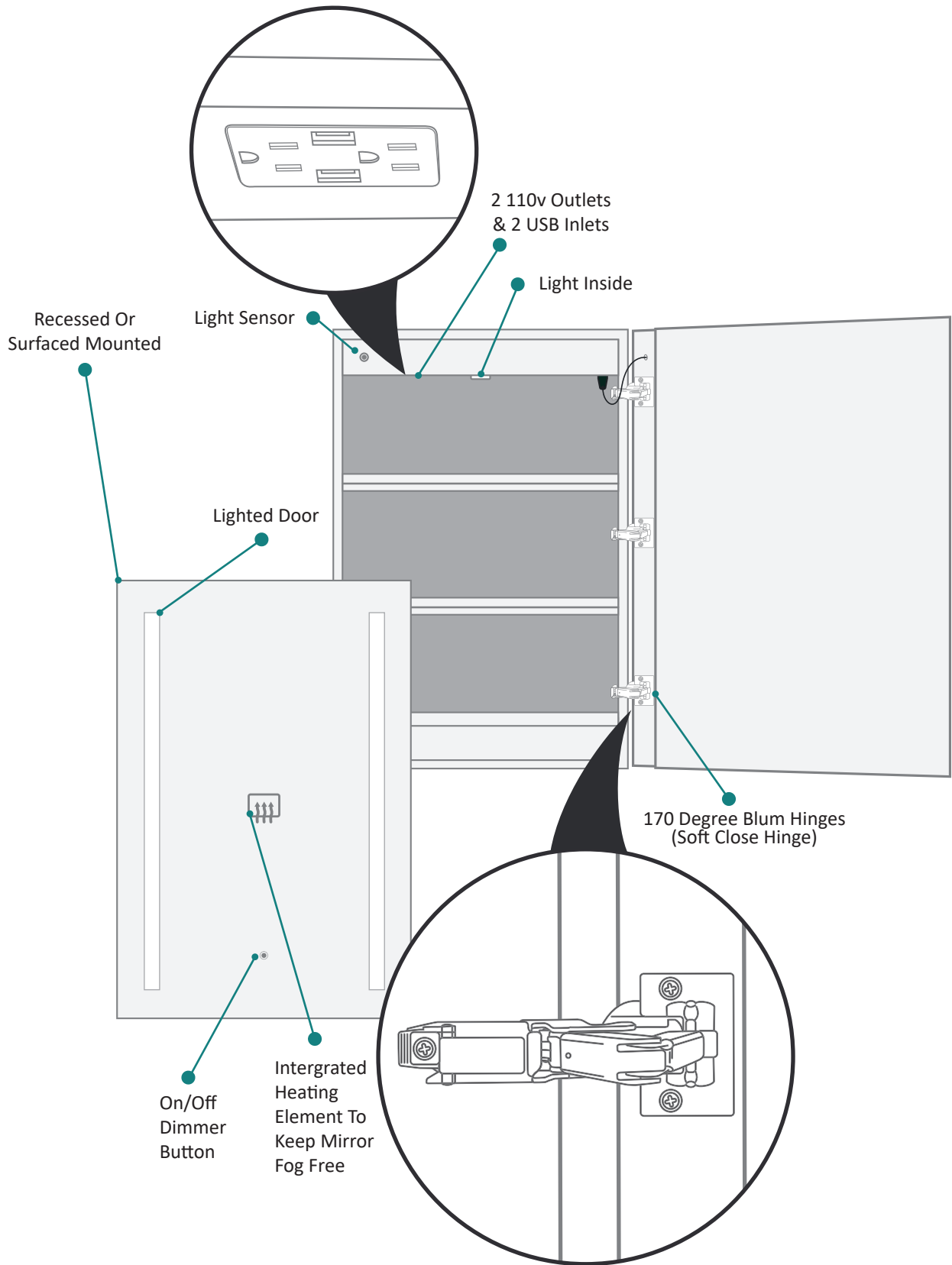
## Outlet

- Performance Requirements: Contains the required Supervisory Circuit with the Auto-Monitoring Function as noted by UL 1310
- Input Voltage: Min 112Vac, Nom 125Vac, Max 137Vac
- Frequency: 60Hz
- Front Receptacle Current: 102-132VAC Nominal 15A
- USB Output Current: 5VDC Nominal 4A

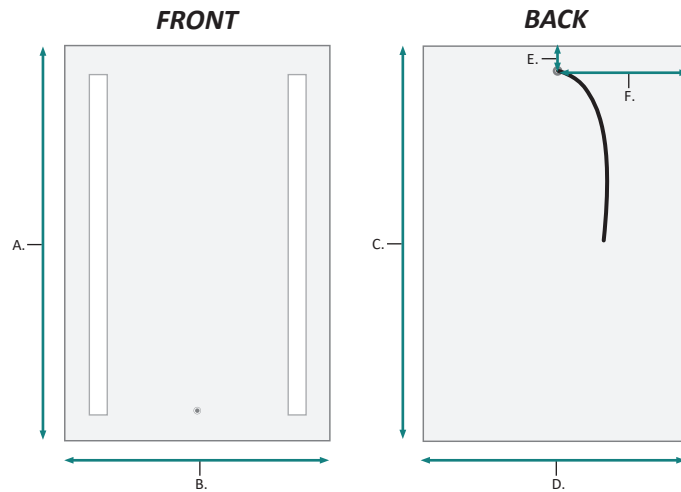
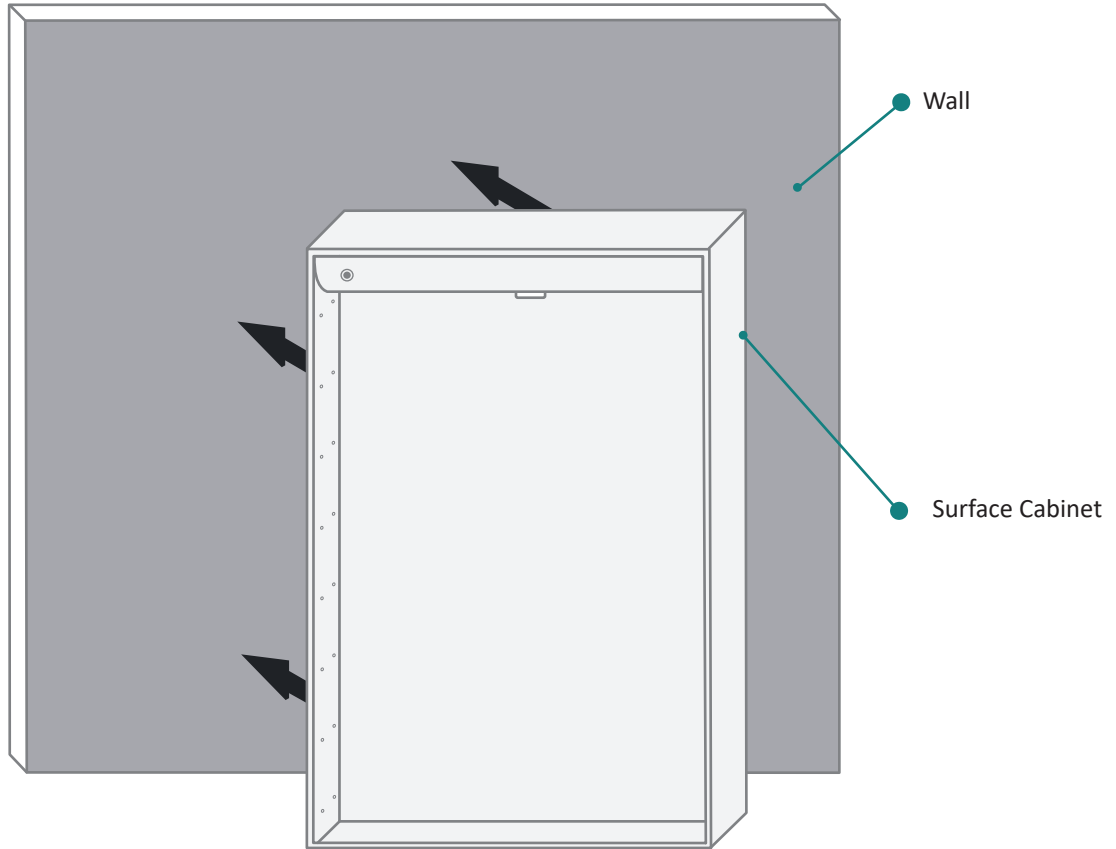
**CABINET CONFIGURATION**



# KINETIC 2030R LED Medicine Cabinet - Specification Sheet



## SURFACE MOUNT

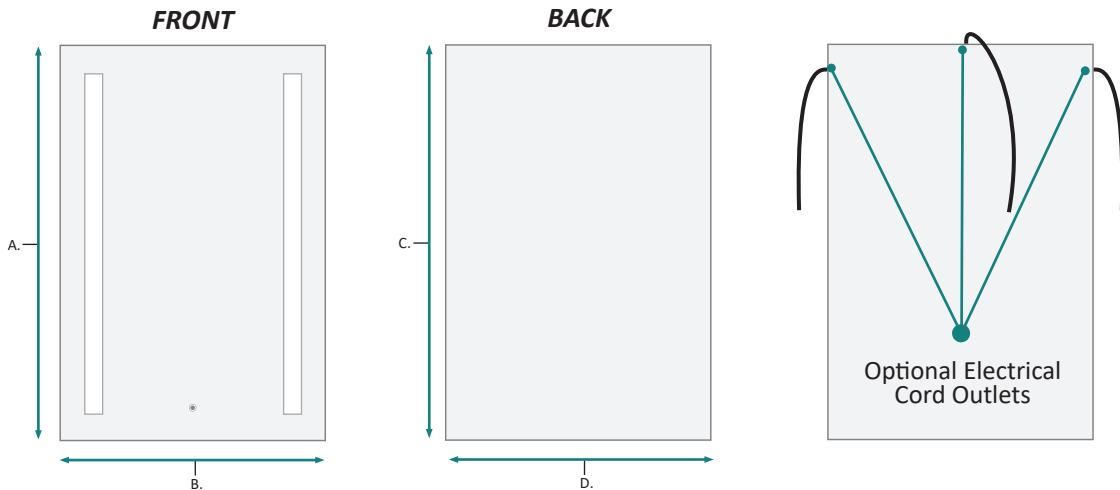
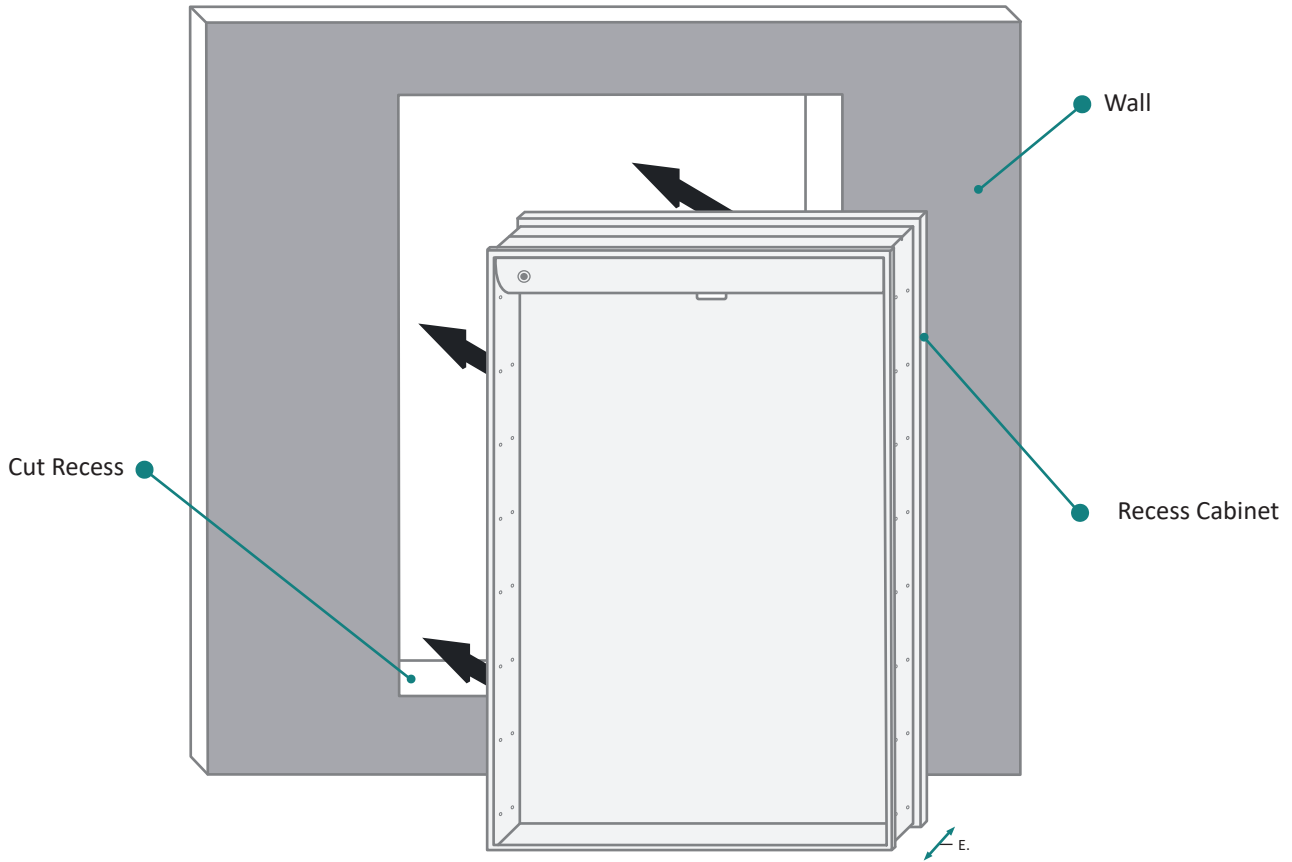


### FRONT & BACKS

MODEL	A	B	C	D	E	F
KINETIC2030R	30	20	28-1/2	18-1/2	1-1/8	9-1/4

These measurements are for reference, for best results we suggest you measure actual product as small variations in size are possible

## RECESS MOUNT

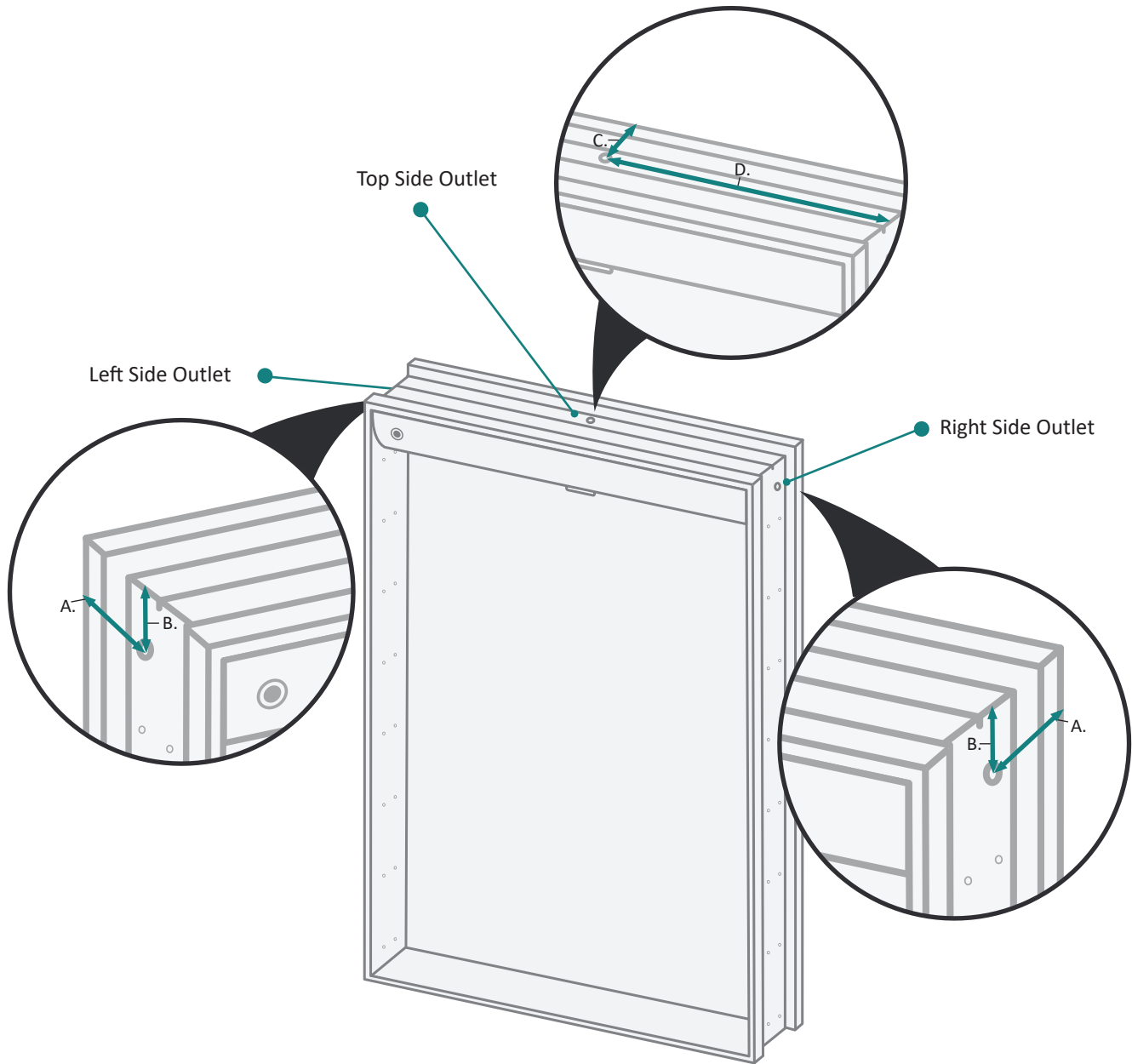


### FRONT & BACK

MODEL	A	B	C	D	E
KINETIC2030R	30	20	28-1/2	18-1/2	3-7/8

These measurements are for reference, for best results we suggest you measure actual product as small variations in size are possible

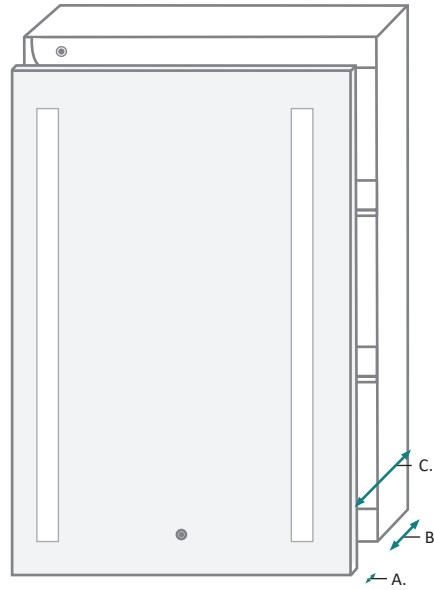
**RECESS INSTALLATION OPTIONAL ELECTRICAL CORD LOCATIONS**



**ELECTRICAL CORD LOCATIONS**

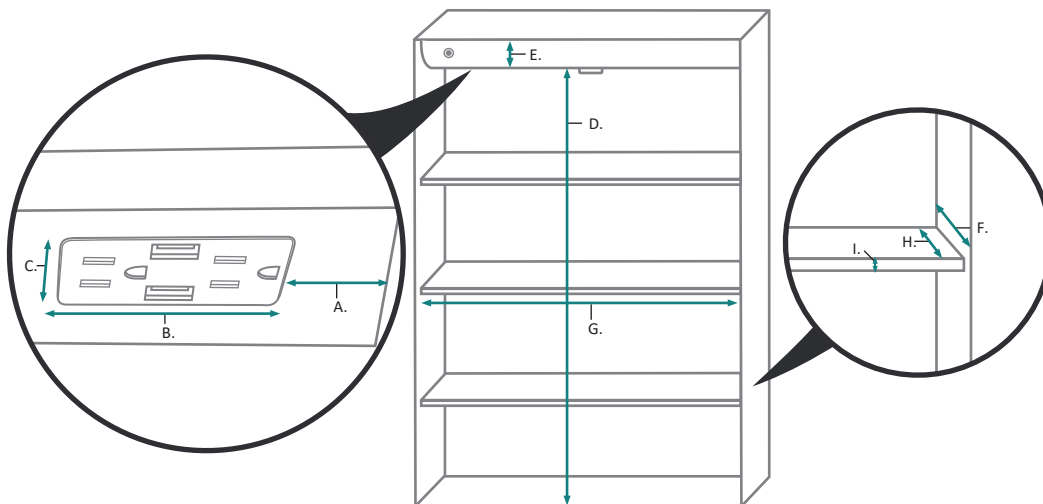
MODEL	A	B	C	D
KINETIC2030R	1-1/2	1-1/8	1-3/8	9-1/4

These measurements are for reference, for best results we suggest you measure actual product as small variations in size are possible



### DOOR & CABINET

MODEL	A	B	C
KINETIC2030R	7/8	3-7/8	4-3/4



### INTERIOR CABINET

MODEL	A	B	C	D	E	F	G	H	I
KINETIC2030R	3-3/4	5-5/8	1-1/4	26-1/4	2-1/4	3-5/8	18-1/4	2-3/8	3/8

These measurements are for reference, for best results we suggest you measure actual product as small variations in size are possible