

Features

- Includes face plate with handle, shower arm with flange.
- Single handle controls both on/off activation and temperature setting.
- Supplied with metal sculpted handle.
- For use with any KOHLER showerhead (not supplied).
- Complements the Forté® faucet and accessory collections.

Material

- Premium material construction with metal handle ensures reliability and durability.
- KOHLER finishes resist corrosion and tarnishing, exceeding industry durability standards.

Installation

- Trim set requires valve to complete installation.

Required Products/Accessories

- K-304/K-P304 Series Rite-Temp® Valves
- or
- K-304/K-P304 Series Rite-Temp® Valves
- or
- K-304/K-P304 Series Rite-Temp® Valves
- or
- K-304/K-P304 Series Rite-Temp® Valves
- or
- K-304/K-P304 Series Rite-Temp® Valves
- or
- K-304/K-P304 Series Rite-Temp® Valves
- or
- K-304/K-P304 Series Rite-Temp® Valves
- or
- K-304/K-P304 Series Rite-Temp® Valves
- or
- K-304/K-P304 Series Rite-Temp® Valves
- or
- K-304/K-P304 Series Rite-Temp® Valves
- or
- K-304/K-P304 Series Rite-Temp® Valves
- or
- K-304/K-P304 Series Rite-Temp® Valves
- or
- K-304/K-P304 Series Rite-Temp® Valves
- or
- K-304/K-P304 Series Rite-Temp® Valves
- or
- K-8304/K-P8304 Series Rite-Temp® Valve & Cartridge Kits



ADA

CSA B651

Codes/Standards



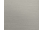
ASME A112.18.1/CSA B125.1
ADA
ICC/ANSI A117.1
CSA B651

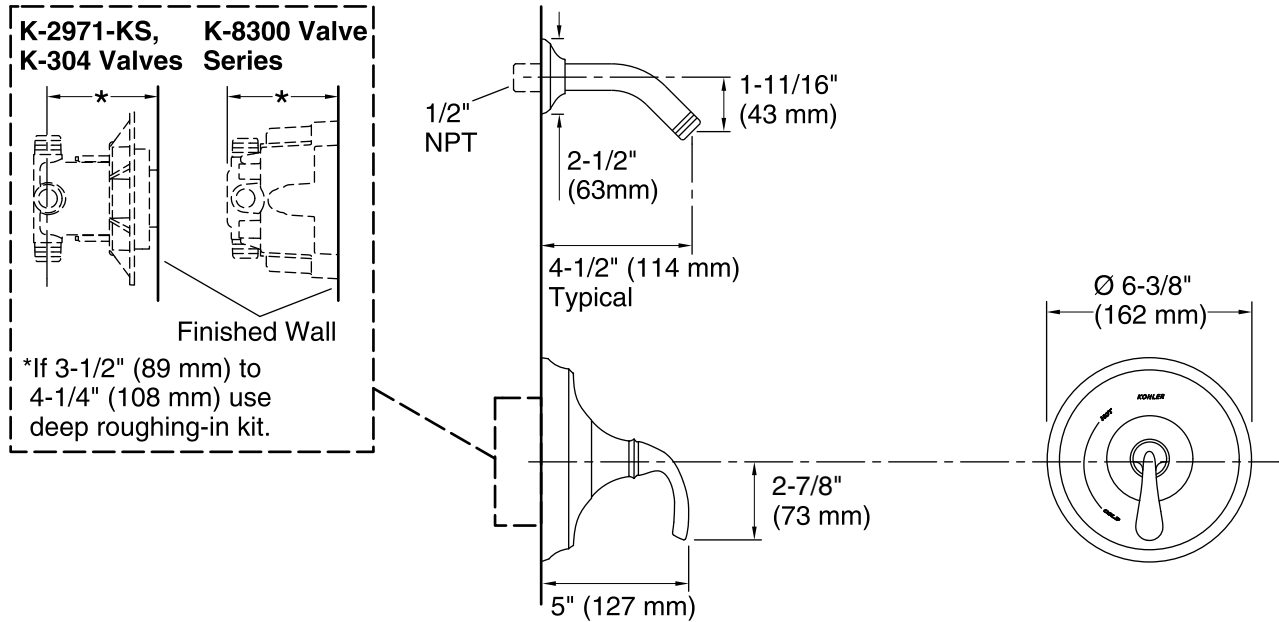
KOHLER® Faucet Lifetime Limited Warranty

See website for detailed warranty information.

Available Colors/Finishes

Color tiles intended for reference only.

Color	Code	Description
	CP	Polished Chrome
	G	Brushed Chrome
	BN	Vibrant® Brushed Nickel



Technical Information

All product dimensions are nominal.

Notes

Install the product according to the installation guide.

NOTICE: Risk of product damage. Long screws for installing trim can damage the K-2971-KS valve. Consult the trim installation guide to verify if the thin wall installation kit (88526) is needed.

ADA, CSA B651 compliant when installed to the specific requirements of these regulations.