



# Tea-for-Two®

72" Heated BubbleMassage™ air bath  
K-865-GH0

## Features

- 44 airjets release thousands of heated bubbles that surround, support, and massage the body.
- Variable-speed blower lets you adjust massage intensity to 18 levels.
- Automatic and manual purge cycles remove residual water from air channels after use.
- Generous 72" length and spacious design accommodates up to two bathers.
- Lighted keypad control.
- 60-minute automatic shutoff timer.
- Safeguard® slip-resistant surface on bath floor.
- Integral lumbar support.
- Color-matched jet trim.

## Material

- KOHLER® enameled cast iron.

## Technology

- Heated BubbleMassage™ technology warms and humidifies air before it enters the bath.

## Installation

- Drop-in or undermount.
- Reversible drain.
- 120V electrical requirement allows for easy installation with standard outlet.
- Requires two dedicated circuits.

## Required Products/Accessories

K-7147-AF 1-1/2" Contoured Pop-up Drain

## Recommended Products/Accessories

K-1705 Whirlpool/BubbleMassage™ Remote Control  
K-587 Under-Mount Installation Kit  
K-9498 3" Keypad Trim  
K-1179 Vinyl Tiling-in Bead  
K-23726 Drain treatment  
K-23725 Cast iron cleaner

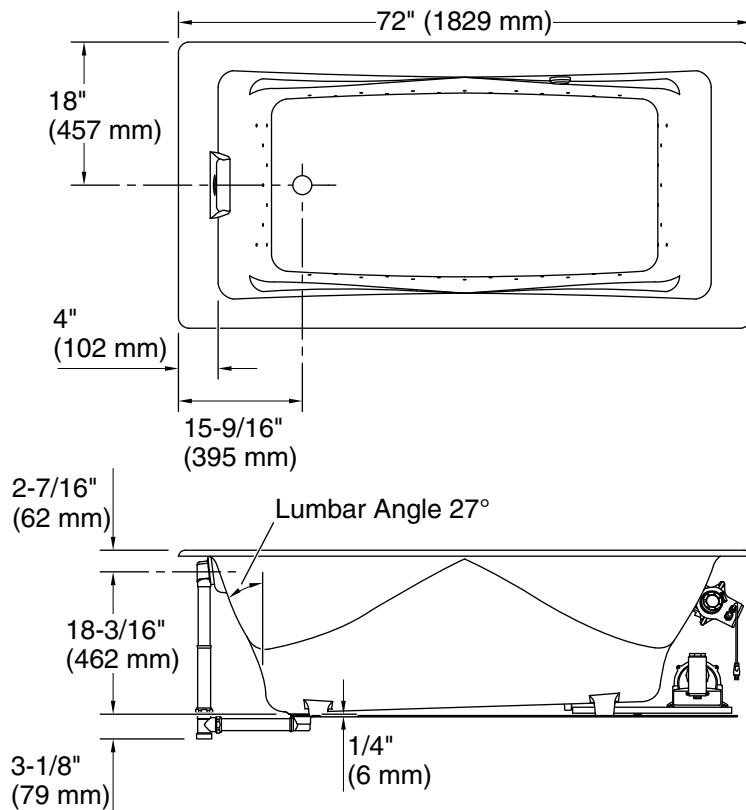


## Codes/Standards

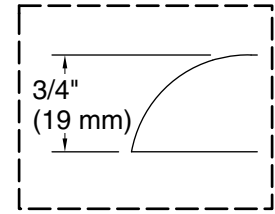
ASME A112.19.7/CSA B45.10  
ASME A112.19.1/CSA B45.2  
ASTM F462  
UL 1795  
CSA C22.2 No. 218.2

**KOHLER® Hydrotherapy Components  
Five-Year Limited Warranty  
KOHLER® Plastic Baths and Receptors  
Lifetime Limited Warranty**

See website for detailed warranty information.

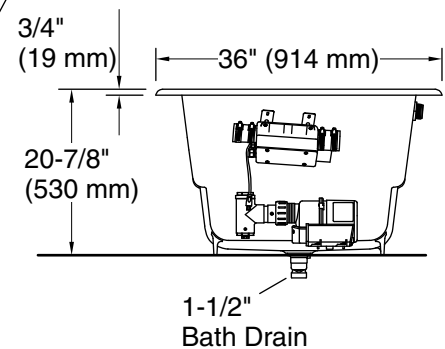


No change in measurements if connected with drain illustrated. (K-7169AF)



**Drop-in Rim Detail**

**Blower Motor Access**  
20" (508 mm) W x 15" (381 mm) H Min



### Required Electrical Service

Two dedicated circuits required, protected with Class A Ground-Fault Circuit-Interrupter (GFCI). Outside North America, this device may be known as a Residual Current Device (RCD).

Blower: 120 V, 15 A, 60 Hz  
Air bath: 120 V, 15 A, 60 Hz

### Technical Information

All product dimensions are nominal.

Installation: Drop-in, Undermount  
Drain location: End  
Basin area, bottom: 49" x 22" (1245 mm x 559 mm)  
Basin area, top: 62" x 28" (1575 mm x 711 mm)  
Weight: 455 lbs (206.4 kg)  
Minimum floor load: 80 lbs/ft<sup>2</sup> (390.6 kg/m<sup>2</sup>)  
Water depth: 17" (432 mm)  
Water capacity: 89 gal (336.9 L)  
Cutout: Drop-in, 70-1/4" x 34-1/2" (1784 mm x 876 mm)  
Template: K-582, required, not included  
Electrical component rating: Blower: 120 V, 10 A, 60 Hz  
Air bath: 120 V, 5 A, 60 Hz

### Notes

Measure your actual product for rough-in details. Install this product according to the installation instructions.

The hot water supply should be 70% of the capacity of the bath or greater. Installations will vary.