



Undertone®
Under-Mount Kitchen Sink
K-3188

Features

- Undertone trough sinks take functionality to a higher level in the kitchen
- 43"L x 8-1/4"W
- Basin depth: 5-15/16"
- Single-basin design
- Undercounter installation
- No faucet holes
- Sink can operate as a secondary or prep sink for ultimate flexibility when designing a custom workspace
- 16-gauge stainless steel
- Please order the K-3156-NA sink which includes the following: sink and sink rack



Recommended Products/Accessories

- K-8801 Sink Strainer
- K-8799 Sink Strainer

Optional Products/Accessories

- K-2989 Hardwood Countertop Cutting Board
- K-3136 Sink Rack

Included Components

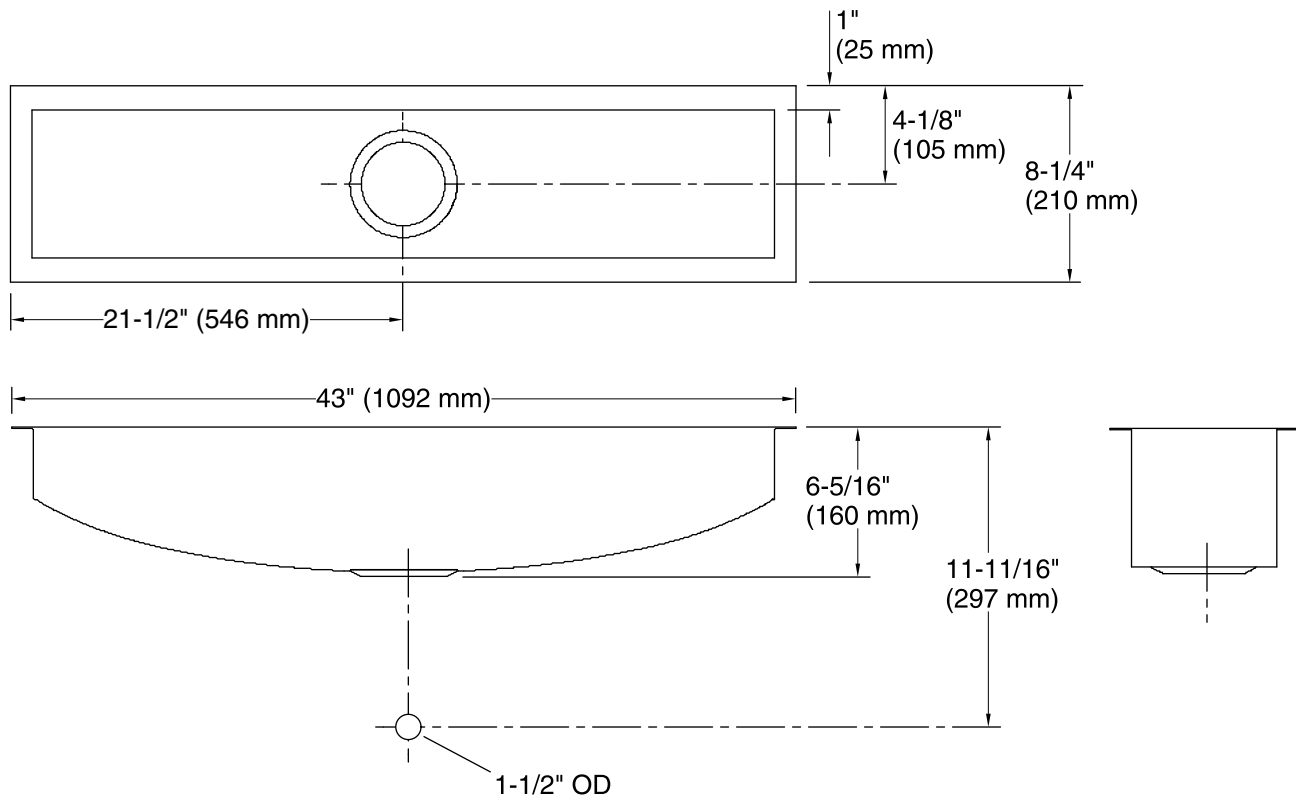
- Product consists of:
- 91915 Hardware Kit

Codes/Standards

ASME A112.19.3/CSA B45.4

**Lifetime Limited Warranty for
KOHLER® Stainless Steel Sinks**

See website for detailed warranty information.



Technical Information

All product dimensions are nominal.

Bowl configuration:	Single
Installation:	Under-mount
Min. base cabinet width:	45" (1143 mm)
Bowl area:	Length: 41" (1041 mm) Width: 6-1/4" (159 mm) Bowl depth: 6-5/16" (160 mm)
Drain hole:	3-5/8" (92 mm)
Template:	1022024-7, required, included

Notes

Install this product according to the installation instructions.