



ADA Compliant



9800 SERIES GRAB BAR 12"

8289812

PRODUCT NAME: GRAB BAR

SIZE: 12"

PRODUCT CODE: 8289812

MATERIAL: All-brass construction

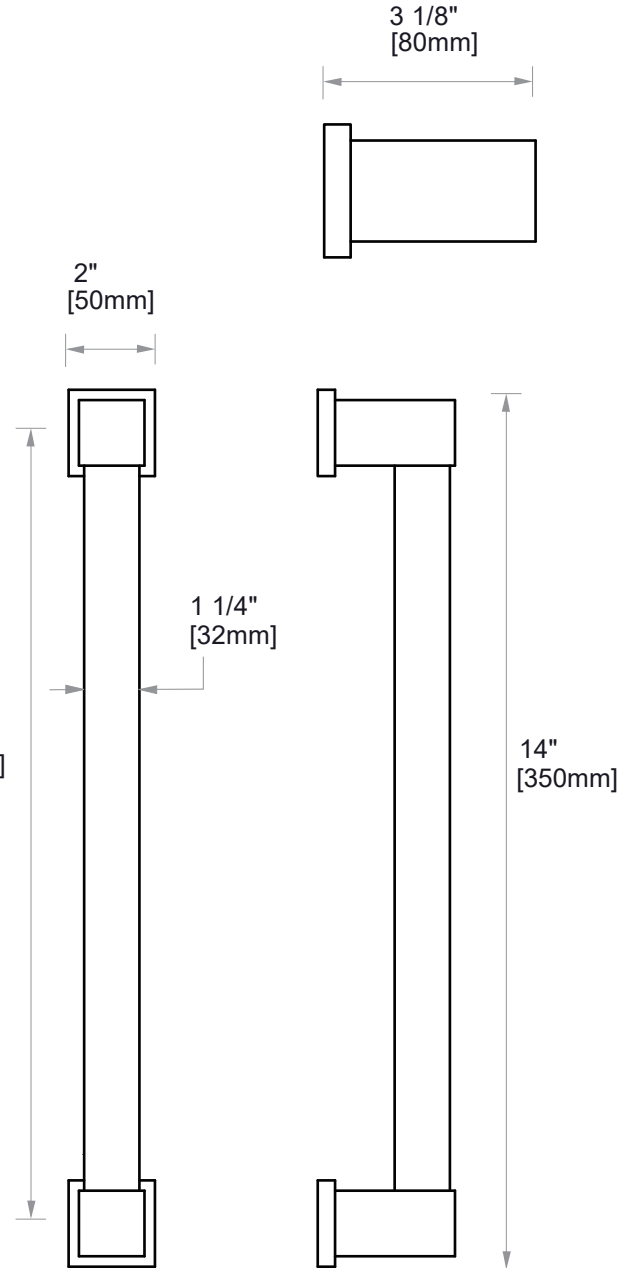
STOCKED FINISHES:

- Polished Chrome (99)
- Brushed Nickel (81)
- Polished Nickel (68)

SPECIAL FINISHES AVAILABLE: Please see our website for full list samples

WARRANTY:

Lifetime Limited (Residential Use)
One Year (Commercial Use)



NOTE: Dimensions and specifications are subject to change without notice.