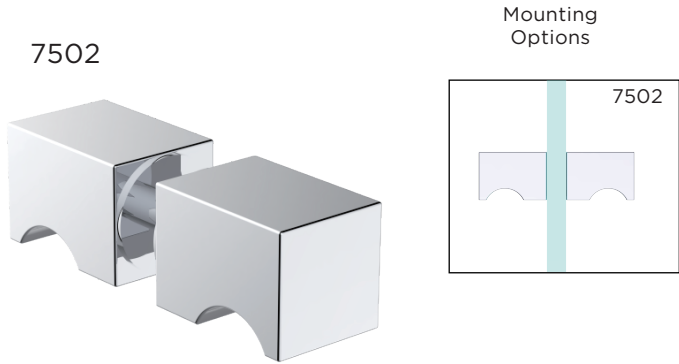


MUNICH COLLECTION
DOUBLE SDH KNOB
2887502



PRODUCT NAME: DOUBLE SDH KNOB

PRODUCT CODE: 2887502

MATERIAL: All-brass construction

KEY FEATURES: Contemporary design.
Strong rectangular shapes,
balanced by slender linear lines.

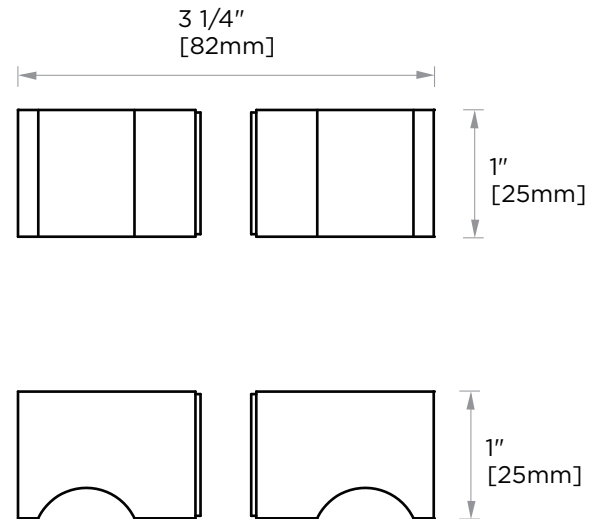
STOCKED FINISHES:

- Polished Chrome (99)
- Brushed Nickel (81)
- Polished Nickel (68)
- Matte Black (48)

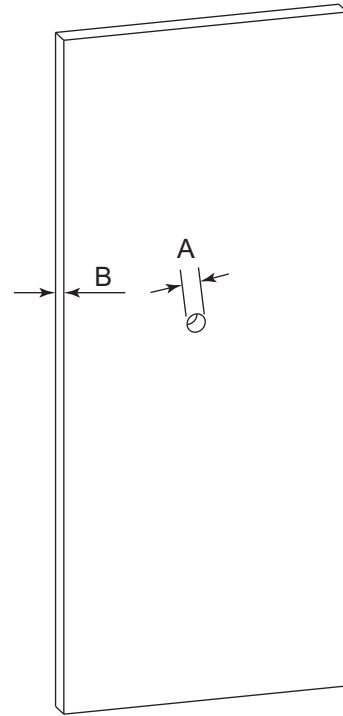
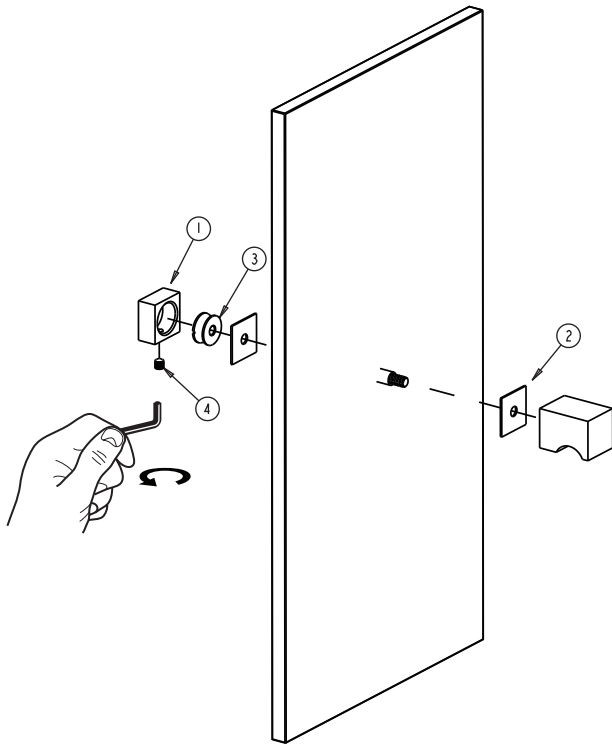
SPECIAL FINISHES AVAILABLE: 26 options available.
Please see our website for
full list samples

WARRANTY:

Lifetime Limited (Residential Use)
One Year (Commercial Use)



NOTE: Dimensions and specifications are subject to change without notice.




HANDLES INFO

Components Included		
①	End Cap	X1
②	Rubber Gasket	X2
③	Fixing Bracket	X1
④	Set Screw M5	X1

GLASS INFO

A	1/2"/12mm	Glass Hole Diameter
B	6-12mm	Glass Thickness

Mounting Kits Included		
	X1	Allen Key

* Can be used with extension kit for thicker doors

NOTE: Dimensions and specifications are subject to change without notice.