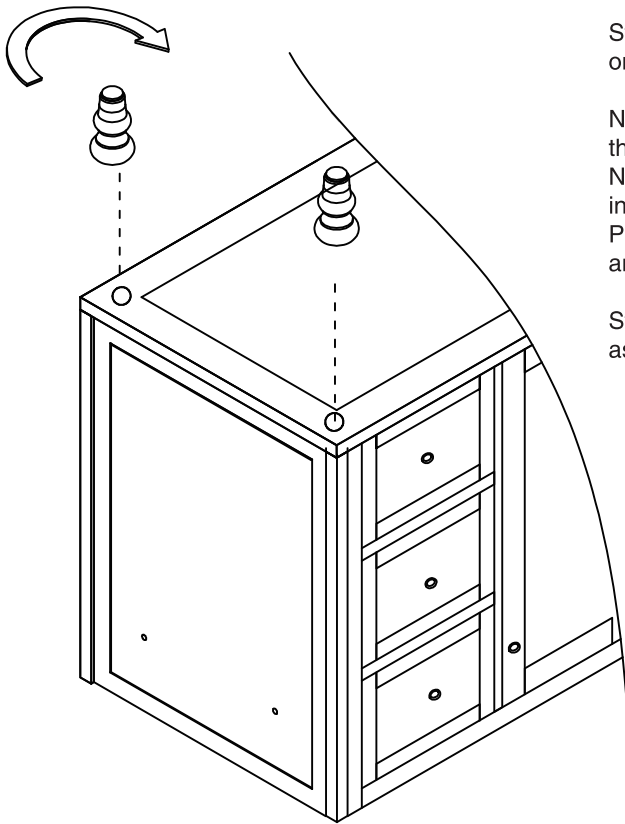




Copper Cove Encore Vanity Assembly Instructions:
301-V30/301-V48/301-V72








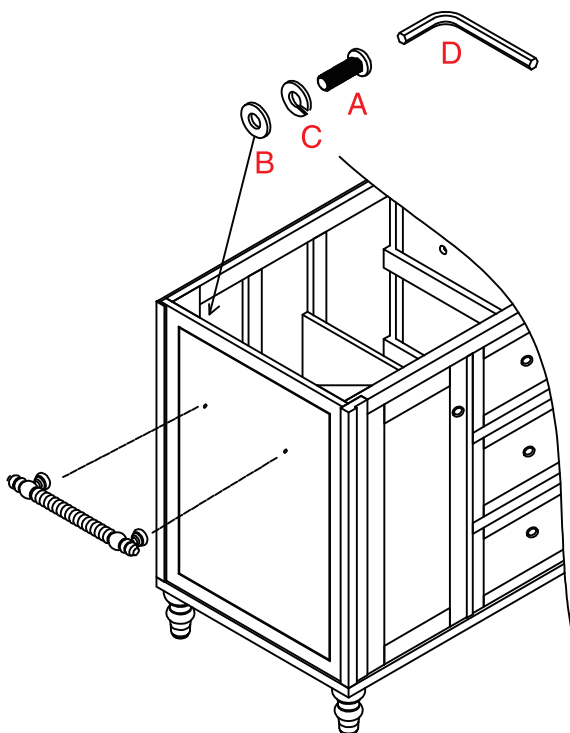
Step 1: To attach the legs, place the vanity cabinet upside down on a blanket on similar soft material.

Note 1: James Martin recommends a minimum of two people for the assembly of all 300/301 Copper Cove cabinets.

Note 2: Legs and assembly hardware and towel bars are located in special packages inside the cabinet or inside the carton. Please look for these parts before discarding the original carton and packing materials.

Step 2: Attached the feet by turning them to the "right" (clockwise) as shown in the diagram on the left.

A=4pcs	Ø1/4*1-3/8	
B=4pcs	Ø16	
C=4pcs	Ø1/4	
D=1pc	Ø4	
E=4pcs	Ø11	



Step 3: Remove any drawers near the towel bars for easier access to attach the hardware.

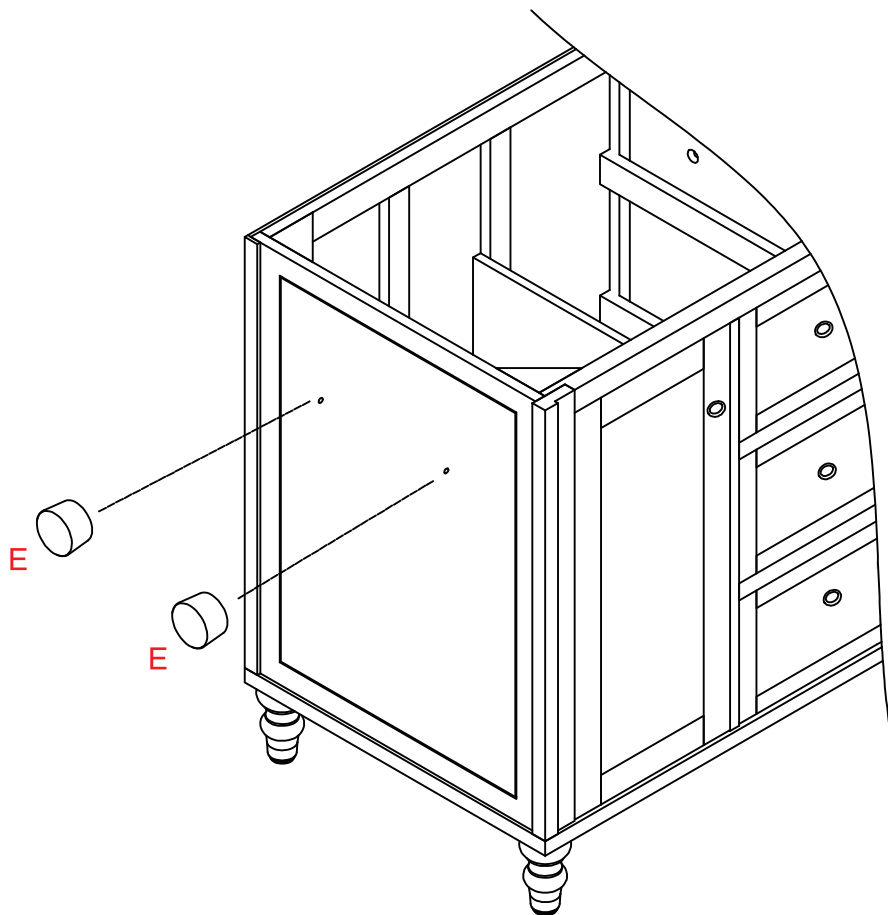
Step 4: Please hold the towel bar handles against the pre-drilled holes in the cabinet. Insert the bolt through the Flat Washer (B) and the Spring Washer (C) through the cabinet and into the towel bar handles. The Allen wrench needed to tighten the bolts is included in the specially marked hardware bag.

Note 3: If you purchased your Copper Cove cabinet as a stand-alone vanity, then please attach the towel bars to both sides of the cabinet. If you purchased a pair of vanity cabinets, plus the optional makeup counter, then you only need to attach towel bars to one side of each cabinet.

Refer to Copper Cove Encore Optional Makeup Counter 301-DU26 Assembly Instructions if you purchased the optional makeup counter.



Copper Cove Encore Vanity Assembly Instructions:
301-V30 / 301-V48 / 301-V72



NOTE: If you don't want to use the towel bars, you can use the wooden plugs in the hardware bag to cover the holes on the both side.