



Columbia / Mercer Island Series Cabinets: 389-V48-AGR-A 389-V48-CFO-A 389-V48-GW-A 389-V48-LTO-A
Columbia Series Shelves: 388-SH48-AGR 388-SH48-CFO 388-SH48-GW 388-SH48-LTO

Assembly / Installation Instructions for both wall mounting (floating) and freestanding with metal base

Columbia Series Metal Bases: 389-B48-GLD 389-B48-STD

Important Notes:

This vanity cabinet may be used freestanding, or may be mounted to a wall (floating).
If you are using this cabinet as a freestanding unit with the stainless steel base,
please follow the instructions on pages 06 - 10 *.
If you are using this cabinet as a wall mounted (floating) unit, please refer to pages 01 - 05 *.

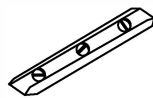
Door Pulls:

Two color of door pull (BNK Brushed Nickel) / (RGD Radiant Gold)
are included with the cabinet, so you may choose the color which best suits your room.

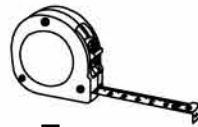
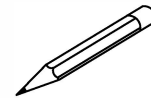
Wood Shelf:

For more convenient shipping, the wood shelf used on the optional metal base, is included
with the cabinet. If you are wall mounting your cabinet, the shelf is an extra item and may
be used for other projects.

Materials for Installation:

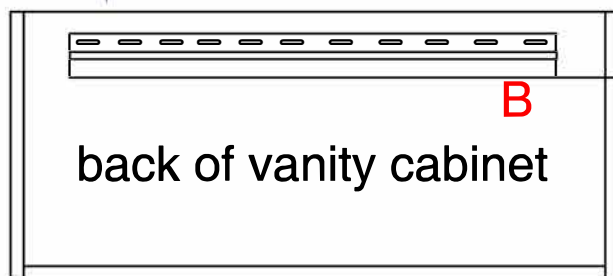


Level

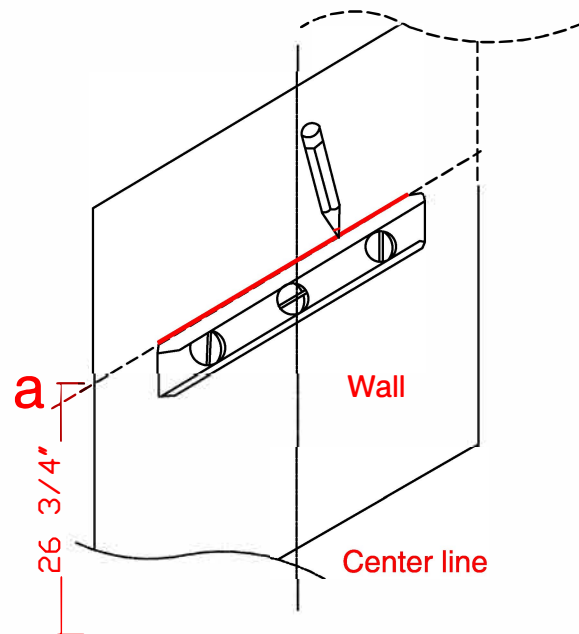
Tape
Measuring

Pencil

A pre-attached metal mounting
(French Cleat) brackets (two pieces)



a
11 1/4"
b



Step 1 Notes:

The metal mounting brackets have been
pre-installed to the backside of the cabinet
11 1/4" from the bottom of the cabinet, remove
one piece from the back of the cabinet .

Step 2 Notes:

Draw a horizontal line on the wall at your desired height.
For this cabinet, most people use a height of 26 3/4"

* For your safety and to achieve the best possible installation of this vanity cabinet,
James Martin Vanities always recommends you consult with a professional contractor.
Two people are required for the assembly and installation of this vanity cabinet.



Columbia / Mercer Island Series Cabinets: 389-V48-AGR-A 389-V48-CFO-A 389-V48-GW-A 389-V48-LTO-A

Columbia Series Shelves: 388-SH48-AGR 388-SH48-CFO 388-SH48-GW 388-SH48-LTO

Assembly / Installation Instructions for both wall mounting (floating) and freestanding with metal base

Columbia Series Metal Bases: 389-B48-GLD 389-B48-STD

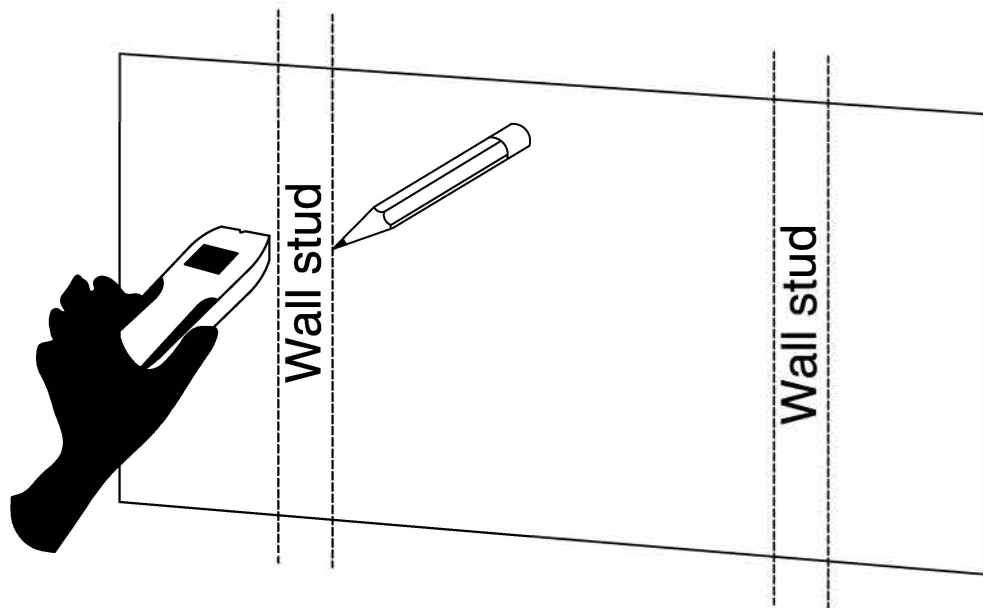
Materials for Installation:



Stud Finder



Pencil



Step 3 Notes:

Locate and mark the position of the wall's interior studs to which you will fasten the metal bracket.

We recommend the use of an electronic stud finder to locate the studs.

(Alternately, you may find studs by listening for a solid sound as you knock on the wall)

Special Note 1:

If the studs in your bathroom do not line up to the mounting location for your vanity, additional wood blocking can be installed between the studs using standard 2 x 4 lumber.

Special Note 2:

Due to the narrow width of this cabinet, you may decide to use drywall anchors if the wall studs are not spaced appropriately.

IMPORTANT:

James Martin Vanities recommended you always consult with professional installers and contractors regarding the correct installation of our products.

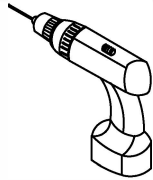


Columbia / Mercer Island Series Cabinets: 389-V48-AGR-A 389-V48-CFO-A 389-V48-GW-A 389-V48-LTO-A
 Columbia Series Shelves: 388-SH48-AGR 388-SH48-CFO 388-SH48-GW 388-SH48-LTO

Assembly / Installation Instructions for both wall mounting (floating) and freestanding with metal base

Columbia Series Metal Bases: 389-B48-GLD 389-B48-STD

Materials for Installation:



Drill



Pencil

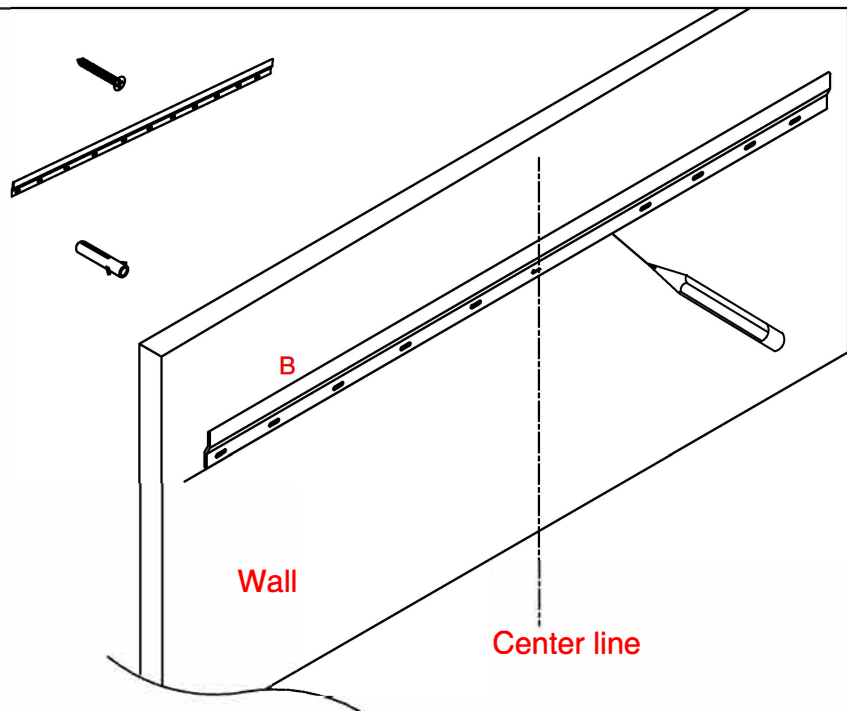


Hammer

A=11 pcs Screws for Bracket Ø4*40mm

B=1 pc Metal Bracket (42 1/8" 1070mm)

C=11 pcs Drywall Anchors (optional)* Ø8*38mm

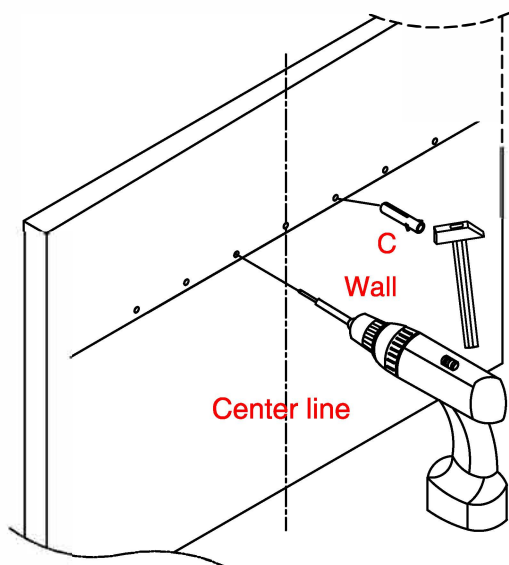


Step 4 Notes:

After you have located the wall studs, position the metal bracket so the holes align with the center points of the studs. Mark these positions with a pencil.

Step 5 Notes:

Drill holes for the screws in the positions you have marked with the pencil. Drill the holes' depth no less than 1 1/2", insert hardware **C** (drywall anchors) to the holes by using hammer if wall studs are not in the correct positions



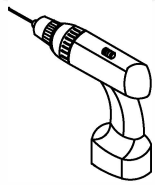


Columbia / Mercer Island Series Cabinets: 389-V48-AGR-A 389-V48-CFO-A 389-V48-GW-A 389-V48-LTO-A
Columbia Series Shelves: 388-SH48-AGR 388-SH48-CFO 388-SH48-GW 388-SH48-LTO

Assembly / Installation Instructions for both wall mounting (floating) and freestanding with metal base

Columbia Series Metal Bases: 389-B48-GLD 389-B48-STD

**Materials
for
Installation:**

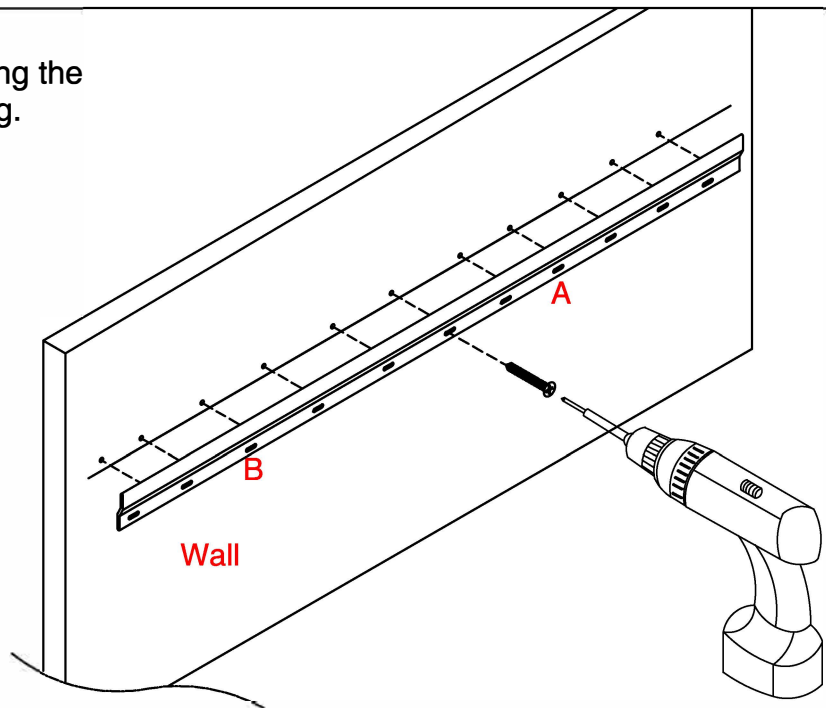


Drill

Step 6 Notes:

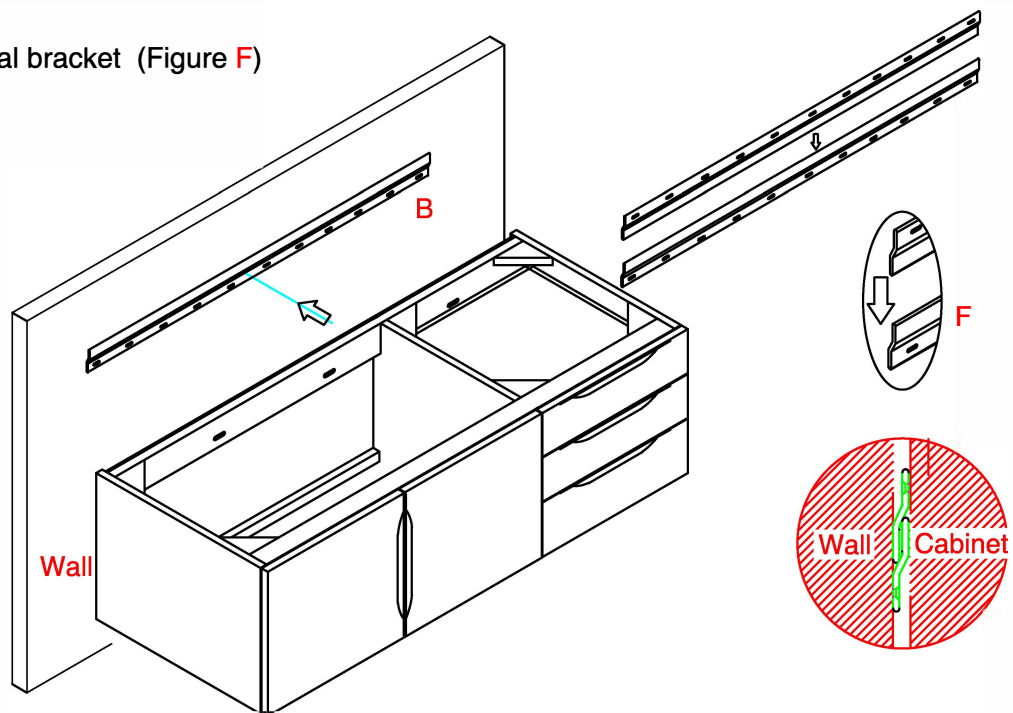
Attach the metal bracket **B** to the Wall using the screws **A** included in the red hardware bag.

*Use hardware **C** (drywall anchors) if wall studs are not in the correct positions.



Step 7 Notes:

Hang the cabinet on the metal bracket (Figure F)

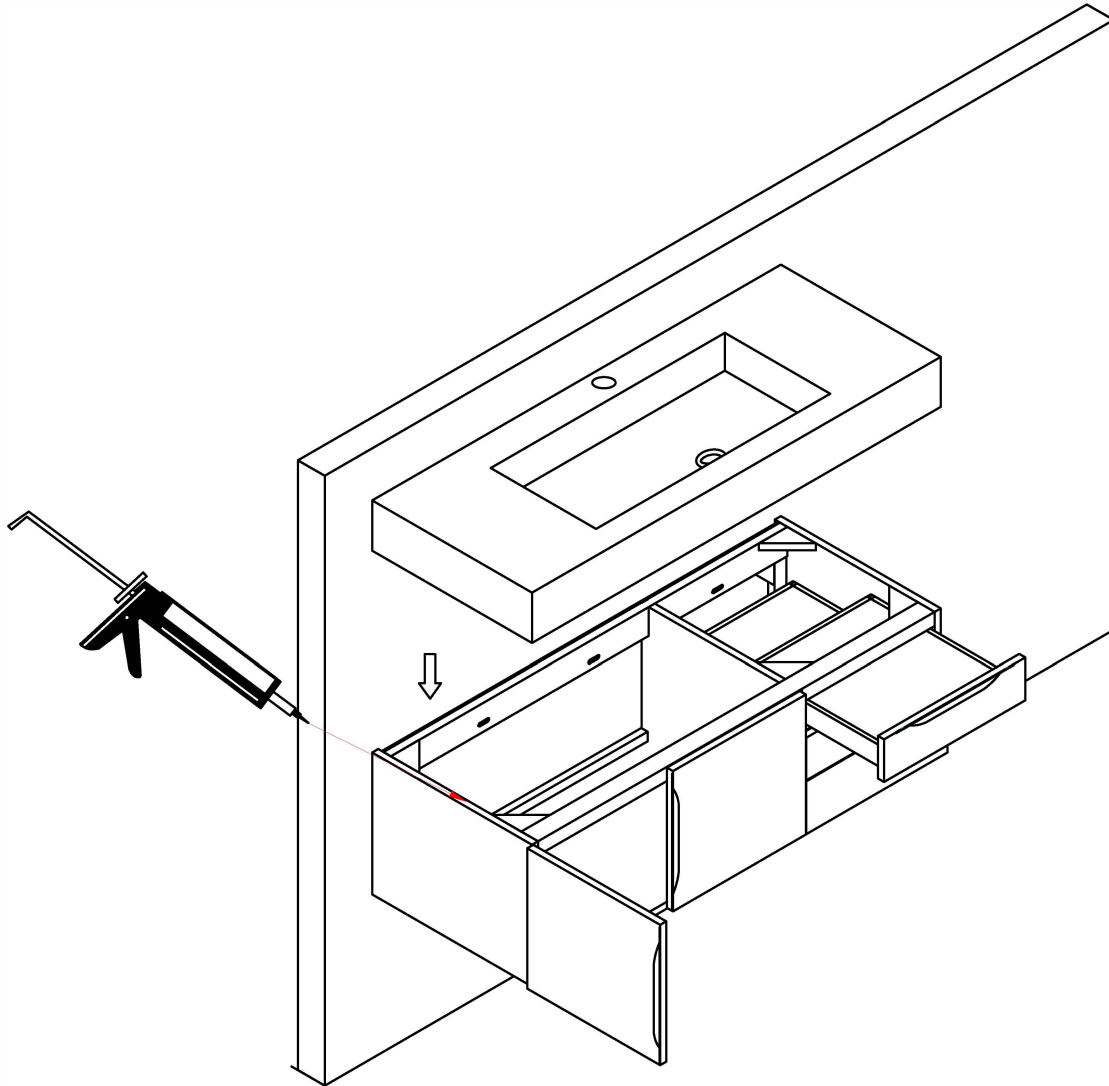




Columbia / Mercer Island Series Cabinets: 389-V48-AGR-A 389-V48-CFO-A 389-V48-GW-A 389-V48-LTO-A
Columbia Series Shelves: 388-SH48-AGR 388-SH48-CFO 388-SH48-GW 388-SH48-LTO

Assembly / Installation Instructions for both wall mounting (floating) and freestanding with metal base

Columbia Series Metal Bases: 389-B48-GLD 389-B48-STD



Step 8 Notes:

Properly align and secure the countertop to the cabinet with high quality adhesive.

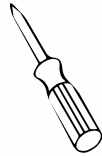


Columbia / Mercer Island Series Cabinets: 389-V48-AGR-A 389-V48-CFO-A 389-V48-GW-A 389-V48-LTO-A
Columbia Series Shelves: 388-SH48-AGR 388-SH48-CFO 388-SH48-GW 388-SH48-LTO

Assembly / Installation Instructions for both wall mounting (floating) and freestanding with metal base

Columbia Series Metal Bases: 389-B48-GLD 389-B48-STD

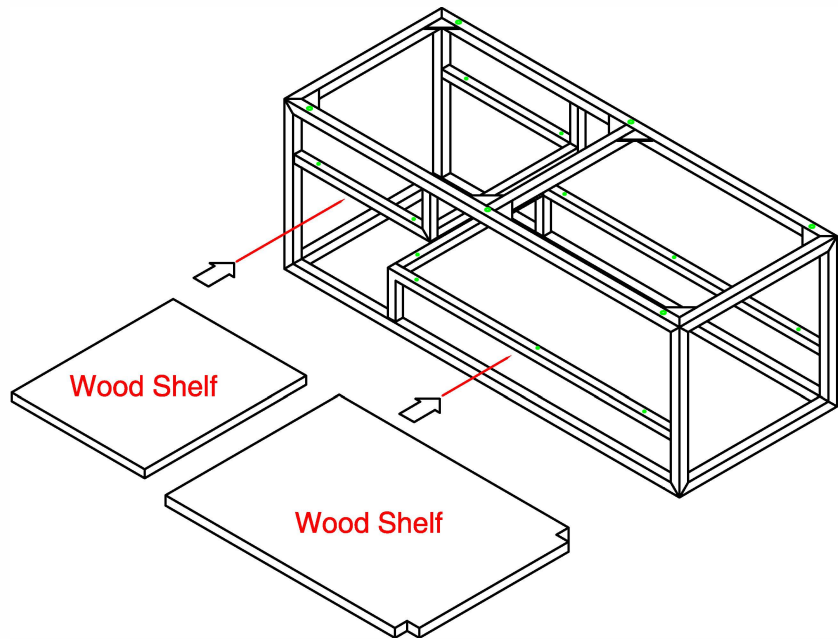
**Materials
for
Installation:**



Screw driver

* For your safety and to achieve the best possible installation of this vanity cabinet, James Martin Vanities always recommends you consult with a professional contractor. Two people are required for the assembly and installation of this vanity cabinet.

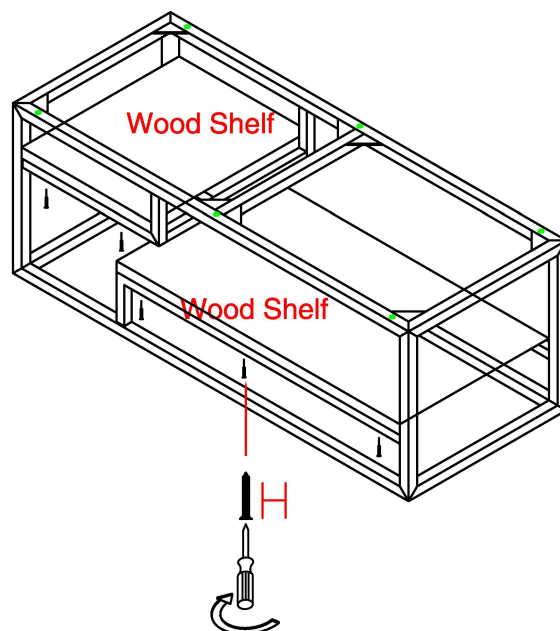
Warning: To prevent accidental tip-over of these cabinets, you must follow these steps.



Step 1b Notes:

Unpack the metal base and wood shelf and place the shelf into position resting on the lower crossbars.

H=12 pcs Screw Ø4*35mm



Step 2b Notes:

Insert and secure the screws (H) from underneath the metal base using a screw driver or an electric drill.



Columbia / Mercer Island Series Cabinets: 389-V48-AGR-A 389-V48-CFO-A 389-V48-GW-A 389-V48-LTO-A
Columbia Series Shelves: 388-SH48-AGR 388-SH48-CFO 388-SH48-GW 388-SH48-LTO

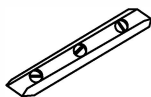
Assembly / Installation Instructions for both wall mounting (floating) and freestanding with metal base

Columbia Series Metal Bases: 389-B48-GLD 389-B48-STD

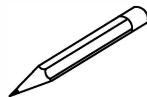
Materials for Installation:



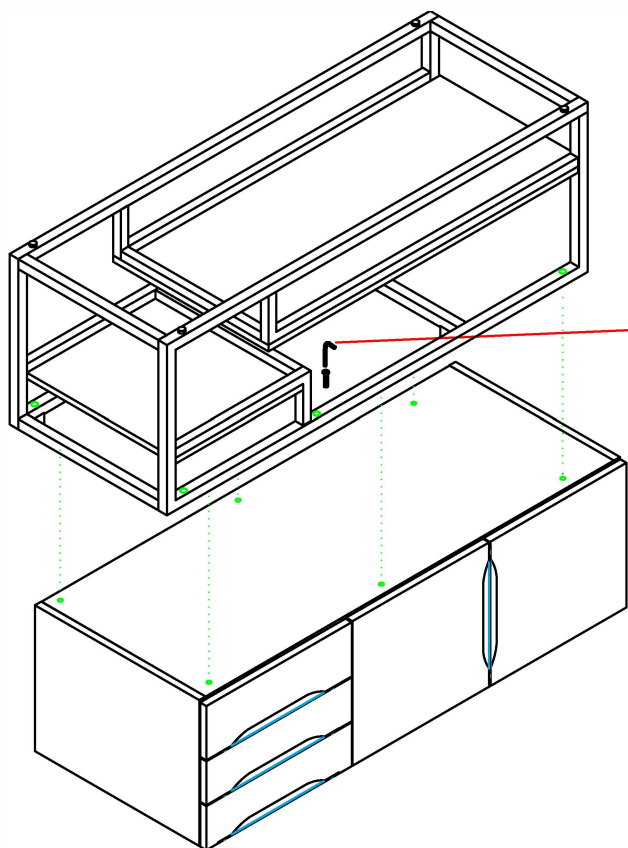
Drill



Level



Pencil



Step 3b Notes:

Place the vanity cabinet upside down on a blanket or other soft material, to prevent scratching.

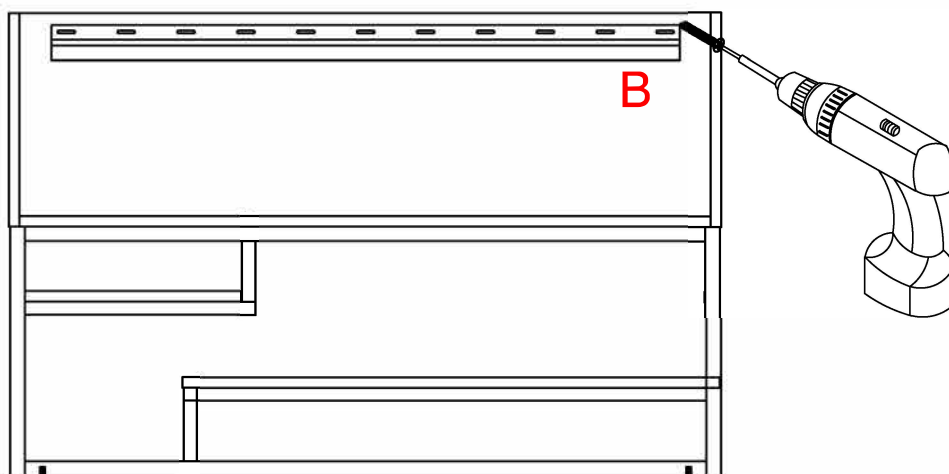
Step 4b Notes:

Attach the metal bolts (J) to the bottom of the vanity cabinet. Secure the bolts by turning the Allen Wrench (E)

E = 1 pc Allen Wrench (#4)



J = 6 pcs Bolts 1/4" x 1 1/2"



Step 5b Notes:

Remove the pre-attached metal mounting (French Cleat) brackets .

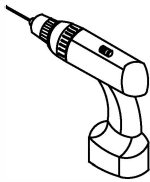


Columbia / Mercer Island Series Cabinets: 389-V48-AGR-A 389-V48-CFO-A 389-V48-GW-A 389-V48-LTO-A
 Columbia Series Shelves: 388-SH48-AGR 388-SH48-CFO 388-SH48-GW 388-SH48-LTO

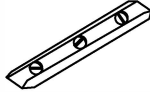
Assembly / Installation Instructions for both wall mounting (floating) and freestanding with metal base

Columbia Series Metal Bases: 389-B48-GLD 389-B48-STD

Materials for Installation:



Drill



Level



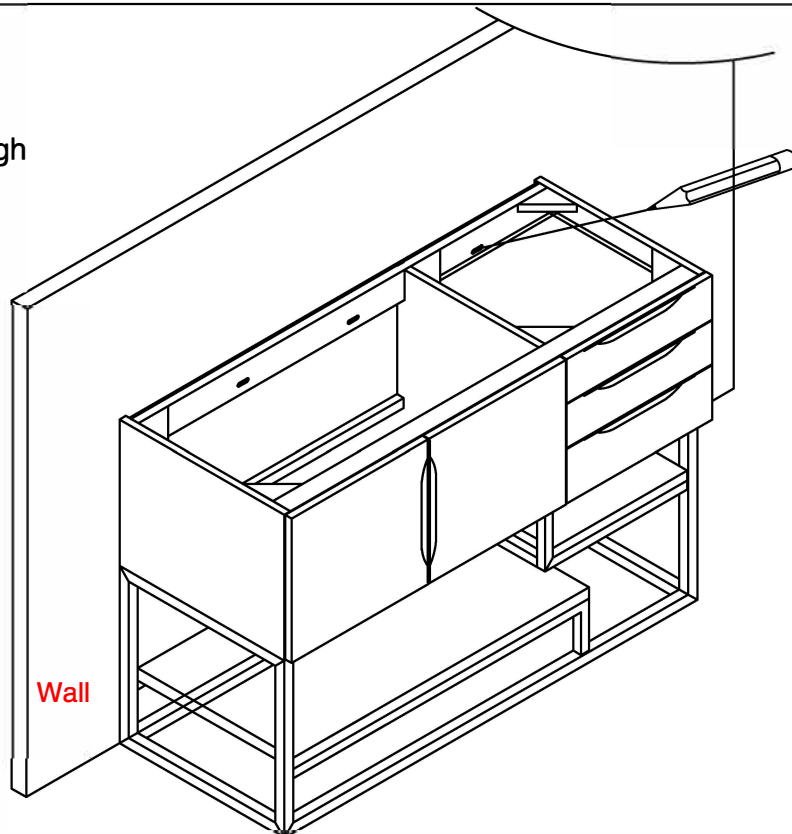
Pencil



Hammer

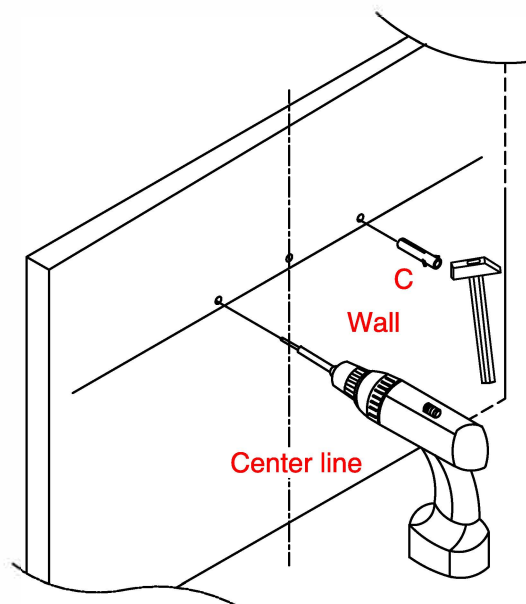
Step 6b Notes:

Place the cabinet against the wall, mark the positions with a pencil through the pre-drilled holes on the back rail.



Step 7b Notes:

Drill holes for the screws in the positions you have marked with the pencil. Drill the holes' depth no less than 1 1/2", insert hardware C (drywall anchors) to the holes by using hammer if wall studs are not in the correct positions.



C=3PCS drywall anchors (optional)* Ø8*38mm



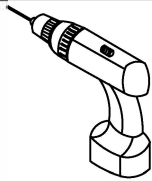


Columbia / Mercer Island Series Cabinets: 389-V48-AGR-A 389-V48-CFO-A 389-V48-GW-A 389-V48-LTO-A
 Columbia Series Shelves: 388-SH48-AGR 388-SH48-CFO 388-SH48-GW 388-SH48-LTO

Assembly / Installation Instructions for both wall mounting (floating) and freestanding with metal base

Columbia Series Metal Bases: 389-B48-GLD 389-B48-STD

Materials for Installation:



Drill

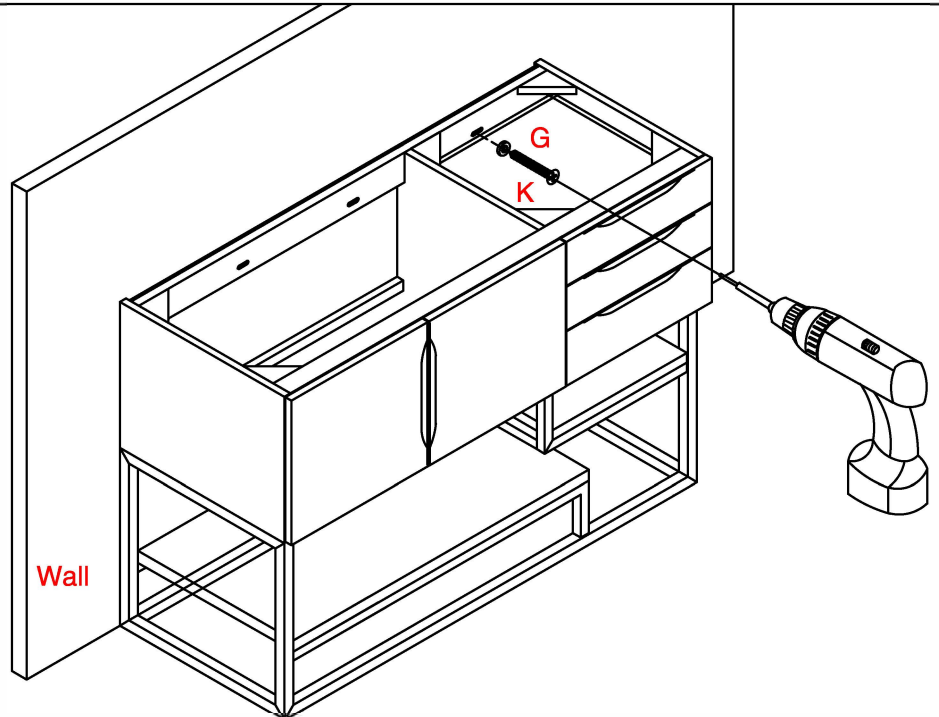
Step 8b Notes:

Secure the cabinet to the wall using hardware **K** (screws) and Flat Washer **I** for wall studs.

G=3 pcs Flat Washer Ø16mm



K=3 pcs Screw Ø4*60mm



Step 9b Notes:

Properly align and secure the countertop to the cabinet with high quality adhesive.

