

# INSTALLATION INSTRUCTIONS

## Transitional Water Supply Elbow with Handshower Holder

Part #6459

# JACLO®

Confidence from start to finish.™

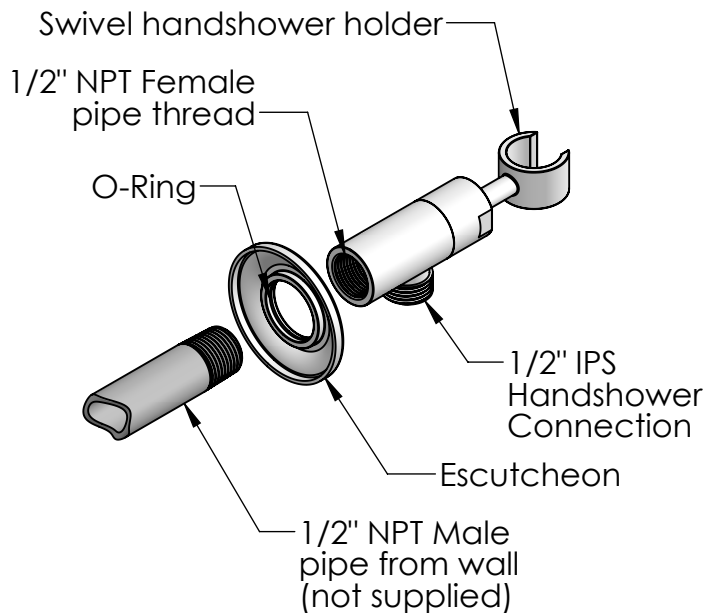
### Materials provided:

- 1ea. Supply Elbow assembly
- 1ea. Escutcheon

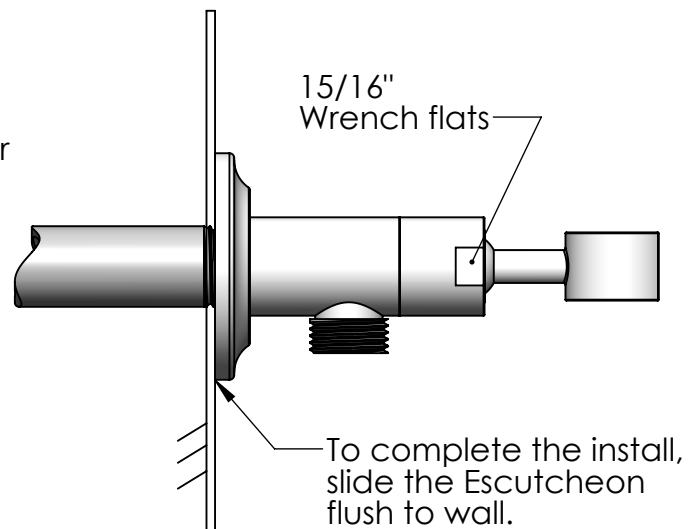


### Recommended tools:

- Strap-wrench (preferred)
- Adjustable wrench or
- 15/16" Open end wrench



### Component Detail



### As Mounted

#### Step 1:

Slide the Escutcheon back to access the 1/2" NPT Female threads. Confirm there is adequate protrusion of 1/2" NPT pipe exposed from the wall to securely attach the JACLO Supply Elbow.

#### Step 2:

Using Teflon tape or plumbers putty to seal the pipe connection, carefully thread the Supply Elbow onto the 1/2" NPT Male pipe stub (previously installed). **Preferably use a strap-wrench** to tighten the Supply Elbow securely, with the handshower connection pointing downward.

#### Step 3:

Slide the Escutcheon flush to the wall.