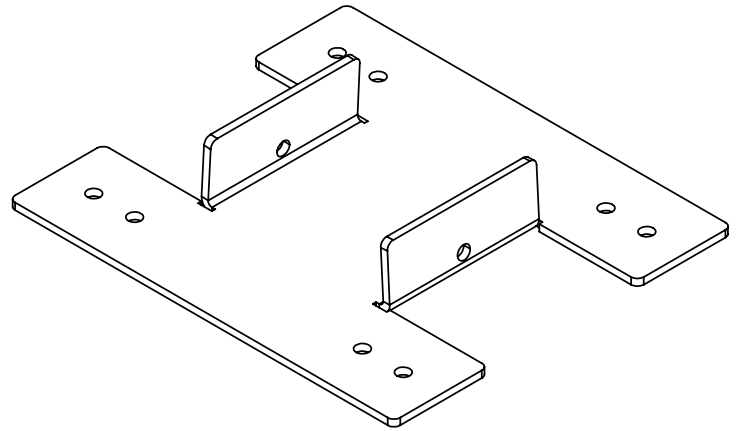
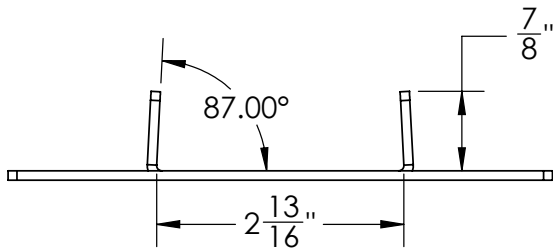
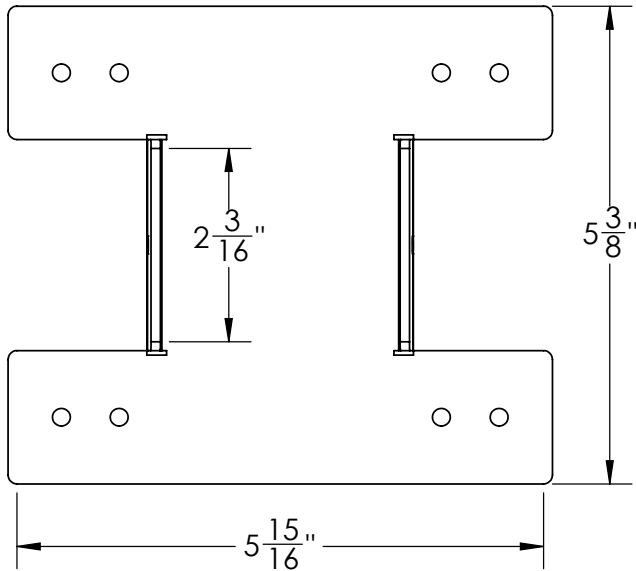


# GFAS 38 Specifications Infinity Drain

## GFAS 38:

- Outdoor anchor for G 38 channel
- 304 Stainless steel



**Infinity Drain**  
145 Dixon Avenue  
Amityville, NY 11701  
Phone: 516.767.6786  
Fax: 516.740.3066  
www.infinitydrain.com



NOTE: Installer must verify all rough-in dimensions prior to installation and consult local and national codes. Conformity and compliance to local and national codes are the responsibility of the installer.