

W3123801-2, W3123829-2 W3123849-2- Single Handle Lavatory Faucet

Description

- EURO Single hole lavatory faucet
- Ceramic disc cartridge
- SS Flex hoses with 3/8" compression nuts
- 1.2 GPM @ 60 PSI
- 50-50 Pop-up drain assembly included

Standards

- Complies with IAPMO UPC/cUPC
- California AB1953 compliant
- ADA Accessibility Guidelines for Buildings and Facilities - 427.4 Controls and Mechanisms
- CALGreen compliant
- EPA WaterSense Certified by IAPMO R&T



• W3123801-2

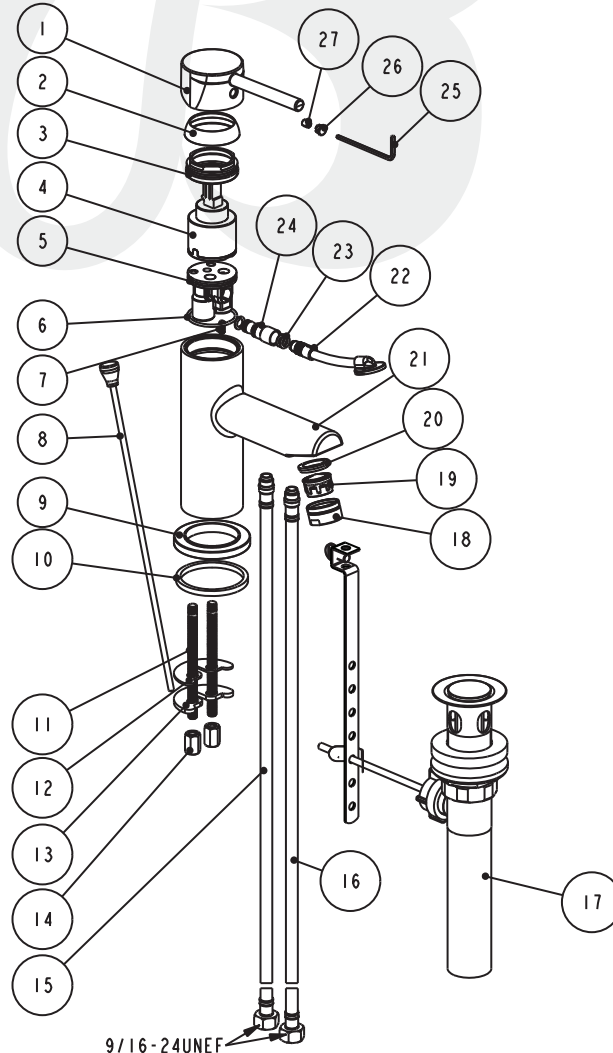


Colors / Finishes

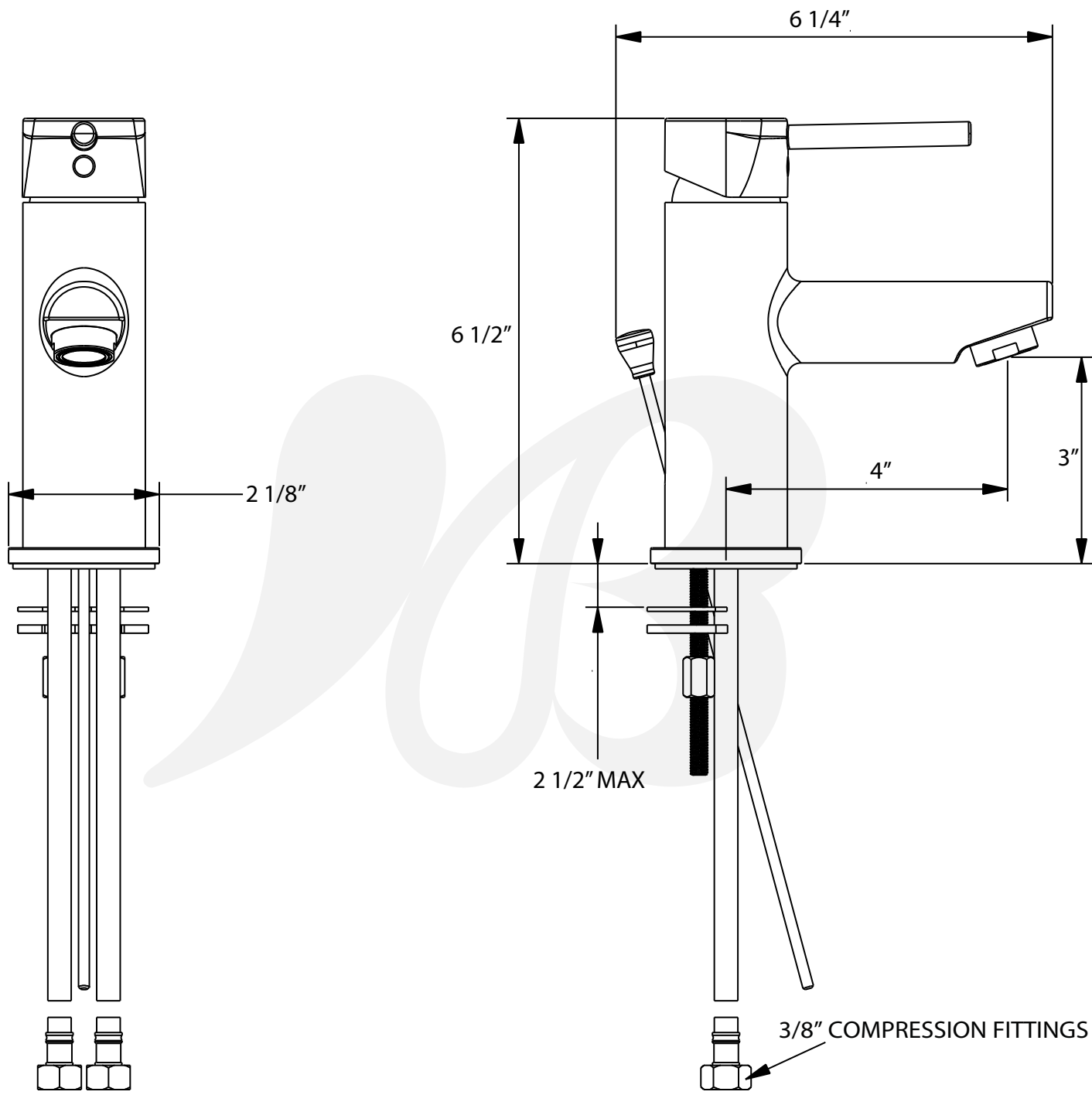
- W3123801-2 - Chrome
- W3123829-2 - Satin Nickel
- W3123849-2 - Matte Black

**BREAK DOWN
Component Parts List**

27	CTST0117	1
26	CTCP0072	1
25	CCQT0002	1
24	CTMB0978	1
23	CTRR0182	3
22	ATBP0612	1
21	CTYZ0043	1
20	CTWR0180	1
19	ATBX0119	1
18	CTXB0053	1
17	ATAA0062	1
16	ATBP0621-ID	1
15	ATBP0621-IR	1
14	CTNB0321	2
13	CTWT0103	1
12	CTWR0028	1
11	CTST0013	2
10	CTWR0439	1
9	CTDZ0107	1
8	ATBM0025	1
7	CTST0313	1
6	CTRR0126	1
5	ATBD0170	1
4	ATBA0196	1
3	CTKB0117	1
2	CTCP0576	1
1	CTHZ0281	1



9/16-24UNEF



Item Number	Type	Date
W3123801-2, W3123829-2, W3123849-2	Single Hole Lavatory	5-7-2021