

Talis S²
HighArc Kitchen Faucet, 1-Spray Pull-Down, 1.75 GPM
 Finishes : **steel optic** Part no. : **14872801**



Description

Features

- Swivel range 150°
- Aerated spray
- MagFit magnetic sprayhead docking
- Single-hole installation
- Flow: 1.75 GPM (6.6 L/Min)
- Ceramic cartridge
- 3/8" connections
- Integrated double backflow prevention

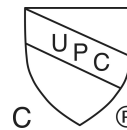
Item details

List Price \$ 612.00

Technology



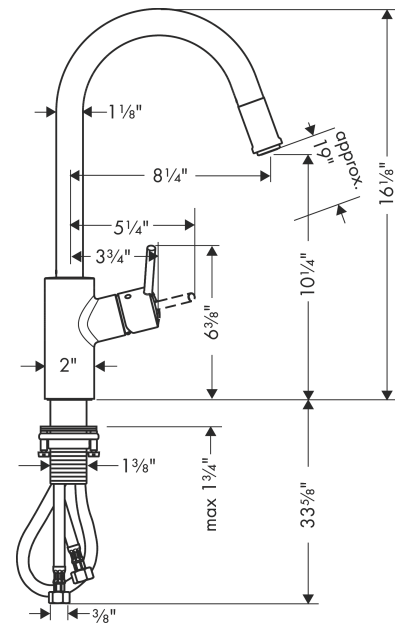
Compliance



Product image



Scale drawing

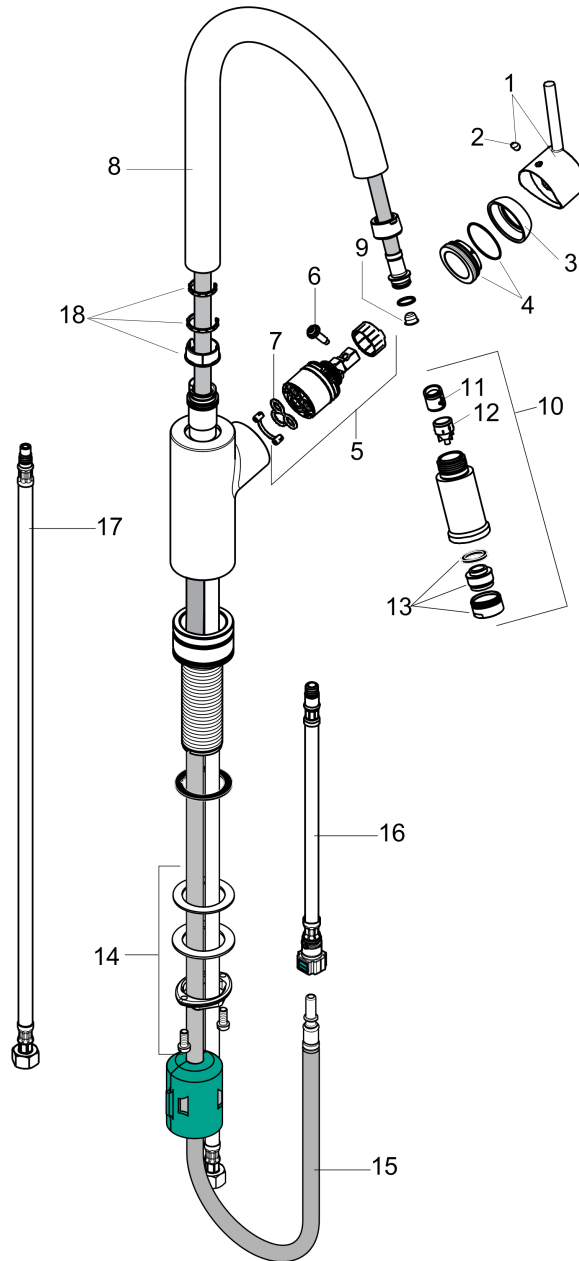


Talis S²
HighArc Kitchen Faucet, 1-Spray Pull-Down, 1.75 GPM
 Finishes : **steel optic** Part no. : **14872801**



Exploded drawing

Year of production: >10/18



Talis S²
HighArc Kitchen Faucet, 1-Spray Pull-Down, 1.75 GPM
 Finishes : **steel optic** Part no. : **14872801**



Spare parts list

Year of production: >10/18

| Pos. | Description | Part no. | Price | PU |
|------|-----------------------------------|----------|-------|----|
| 1 | handle | 95560800 | - | 1 |
| 2 | screw cover | 96338000 | - | 1 |
| 3 | flange | 95498800 | - | 1 |
| 4 | nut | 97209000 | - | 1 |
| 5 | cartridge, assy | 92730000 | - | 1 |
| 6 | locking screw for handle | 95140000 | - | 1 |
| 7 | seal | 95008000 | - | 1 |
| 8 | spout cpl. | 95562800 | - | 1 |
| 9 | filter | 97735000 | - | 1 |
| 10 | handspray | 88659800 | - | 1 |
| 11 | non return valve | 93218000 | - | 1 |
| 12 | set of non return valves DW 15 | 97350000 | - | 1 |
| 13 | aerator M24x1 (15 l/min) | 13913800 | - | 1 |
| 14 | fixing set (Ø 34) | 95049000 | - | 1 |
| 15 | hose 1,50 m | 95507000 | - | 1 |
| 16 | connection hose 600 mm M10x1 | 95561000 | - | 1 |
| 17 | connection hose 35½" M8x0,75 3/8" | 96316001 | - | 1 |
| 18 | set of lever collars | 98365000 | - | 1 |
| a | insert for spout | 92161000 | - | 1 |