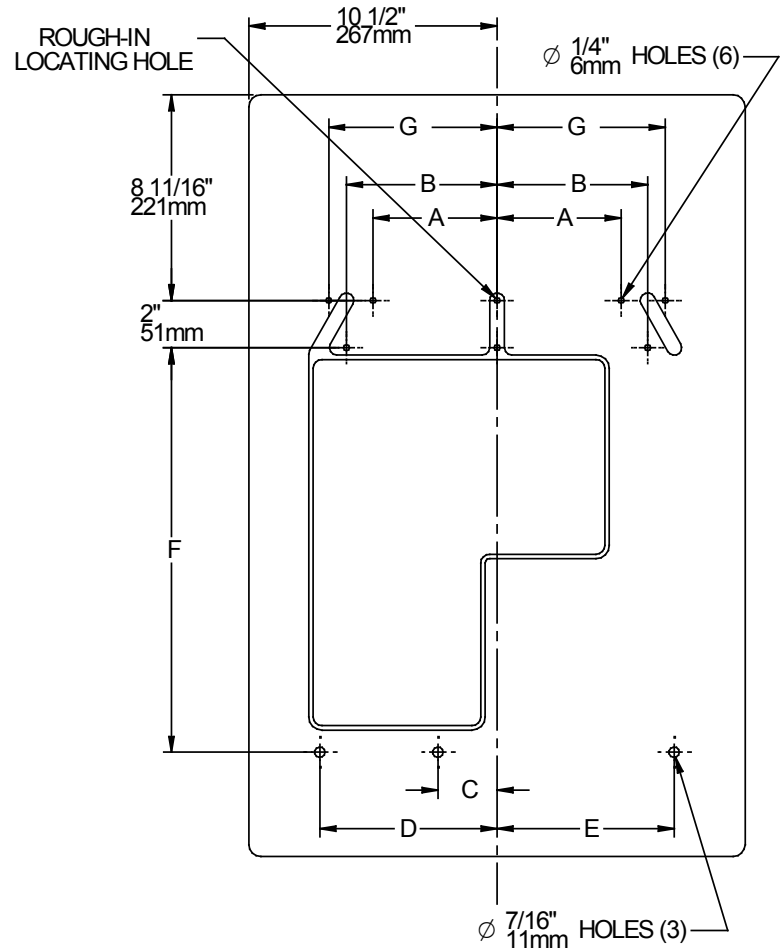
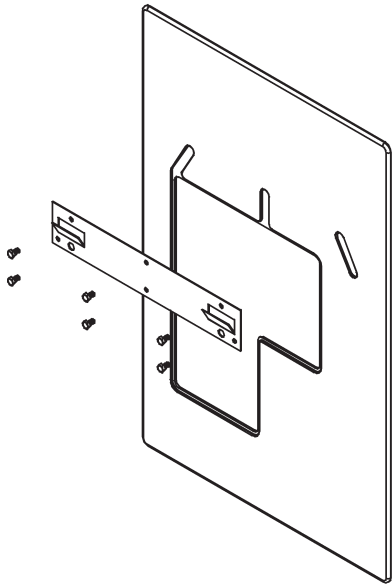


KIT RP2130

INSTALLATION WALL BEZEL MOUNTING



DIMENSION CHART		
DIM	EMABF / VRC	EZ
A	5 3/4" (146mm)	6 3/8" (162mm)
B	N/A	6 3/8" (162mm)
C	2 7/16" (62mm)	ON CENTER LINE
D	7 7/16" (189mm)	7" (178mm)
E	7 9/16" (192mm)	7" (178mm)
F	17 1/8" (435mm)	14 7/8" (378mm)
G	7 1/8" (181mm)	N/A

MOUNTING INSTRUCTIONS

- 1) SELECT YOUR MODEL IN THE DIMENSION CHART.
- 2) LOCATE AND MARK HOLES USING ABOVE DIMENSIONS AND DRILL HOLES IN WALL BEZEL.
- 3) ROUGH-IN LOCATING HOLE NEEDS TO BE LOCATED USING TOP CENTER HOLE IN WALL BRACKET FROM YOUR MODEL ROUGH-IN SHEET.
- 4) FASTEN WALL BEZEL AND HANGER BRACKET TO WALL WITH THE HANGER BRACKET IN FRONT OF YOUR WALL BEZEL. IT IS RECOMMENDED TOP CORNERS OF WALL BEZEL BE GLUED TO THE WALL USING A PANEL ADHESIVE SUCH AS PL-200 OR LIQUID NAILS.

FOR PARTS, CONTACT YOUR LOCAL DISTRIBUTOR CALL 1.800.834.4816
 ELKAY MANUFACTURING COMPANY • 2222 CAMDEN COURT • OAK BROOK, IL 60523 • 630.574.8484