



# FITZGERALD®

## TWO-PIECE ELONGATED TOILET



**D2205CA101.XXX**

### FEATURES

- Vitreous china
- Elongated bowl design
- High efficiency (1.28 gpf/4.8 Lpf)
- Right Height®
- 2" fully-glazed concealed trapway
- Includes design matched Duroplast™ slow-close seat
- Elongated siphon action jetted bowl - 1,000 MaP
- EverClean® surface inhibits the growth of stain and odor causing bacteria, mold and mildew on the surface
- 3" flush valve with chemical resistant flapper
- 12" (305 mm) rough-in
- 16-1/2" (419 mm) rim height

### DIMENSIONS

#### NOMINAL DIMENSIONS

29-7/8" x 15-1/16" x 31-3/16" (758 x 383 x 792 mm)

#### WATER SPOT

8-1/4" (210 mm) wide

9-1/4" (235 mm) length

5-1/2" (140 mm) distance to rim

### COLORS/FINISHES

Canvas White (415), Biscuit (071)

### COMPONENTS

**D24005A101.XXX** Tank

**D23005C000.XXX** Elongated Bowl

**5004A20G.XXX** Traditional Elongated Toilet Seat  
Slow-close, Top Mount, Easy Lift Off

**735191-400.XXX** Tank Cover

**7381344-200-XXX0A** Plated Trip Levers (optional component)  
Satin Nickel (295)  
Polished Nickel (008)  
Carbon Bronze (110)

### COMPLIANCE CERTIFICATIONS

Meets or Exceeds ASME A112.19.2-2008/CSA B45.1-08

Includes Flush Performance, Ball Pass Diameter, Trap Seal Depth and all Dimensions



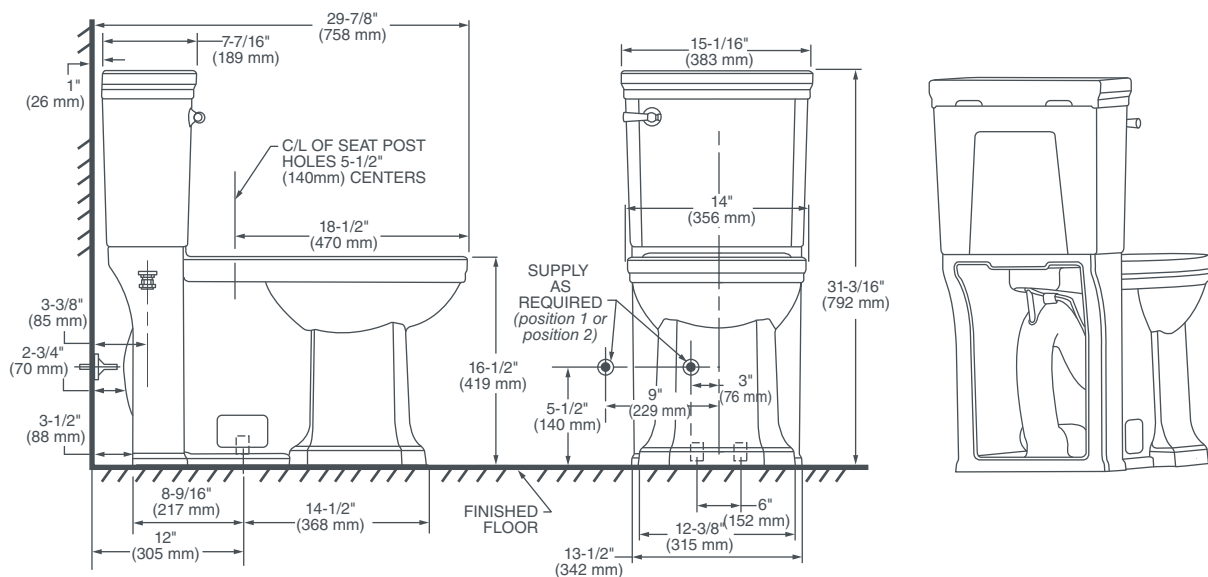
Meets the Americans with Disabilities Act Guidelines and ANSI A117.1 Requirements for Accessible and Usable Building Facilities-Check Local Codes.

ROUGH IN DIAGRAM SHOWN  
ON NEXT PAGE



# FITZGERALD®

## TWO-PIECE ELONGATED TOILET



### IMPORTANT:

Water supply on the wall is required at 3" or 9" from centerline of the toilet (see rough-in).

First suggested position is hidden behind the toilet. The geometry of the toilet gives space for this installation.

The second suggested position is next to the toilet. Between these two positions, the space for the supply between wall and toilet is limited to 3-1/2". In this case, check your supply and hose dimensions.

### NOTES:

This toilet is designed to rough-in at a minimum dimension of 12" (305 mm) from finished wall to C/L of outlet.

Supply not included with fixture and must be ordered separately.

Dimensions shown for location of supply is suggested.

### IMPORTANT:

Dimensions of fixtures are nominal and may vary within the range of tolerance established by ANSI Standard A112.19.2.

These measurements are subject to change or cancellation. No responsibility is assumed for use of superseded or voided pages.

PART OF LIXIL