



AMERICAN STANDARD

TROPE™ WIDESPREAD LAVATORY FAUCET



- Simple form is expanded to diverge waterway and effortlessly return to center
- Tailored transitional design with a deliberate twist
- Ceramic disc valve cartridges
- 8" centers
- 6"—12" flexible installation
- Lead Free—faucet contains $\leq 0.25\%$ total lead content by weighted volume
- Maximum flow rate: 1.2 gpm (4.5 L/min)

CODES AND STANDARDS

Meets or Exceeds ASME A112.18.1/
CSA B125.1/NSF 61/Section 9

EPA WaterSense® High Efficiency
Lavatory Faucet Specification

Certified Compliant with 0.25% Weighted
Average Lead Content Regulations

AVAILABLE FINISHES

Butler Finish

FINISH CODE

435

DESCRIPTION

Widespread Faucet
1.2 gpm (4.5 L/min)

PRODUCT NUMBER

D31202801.435



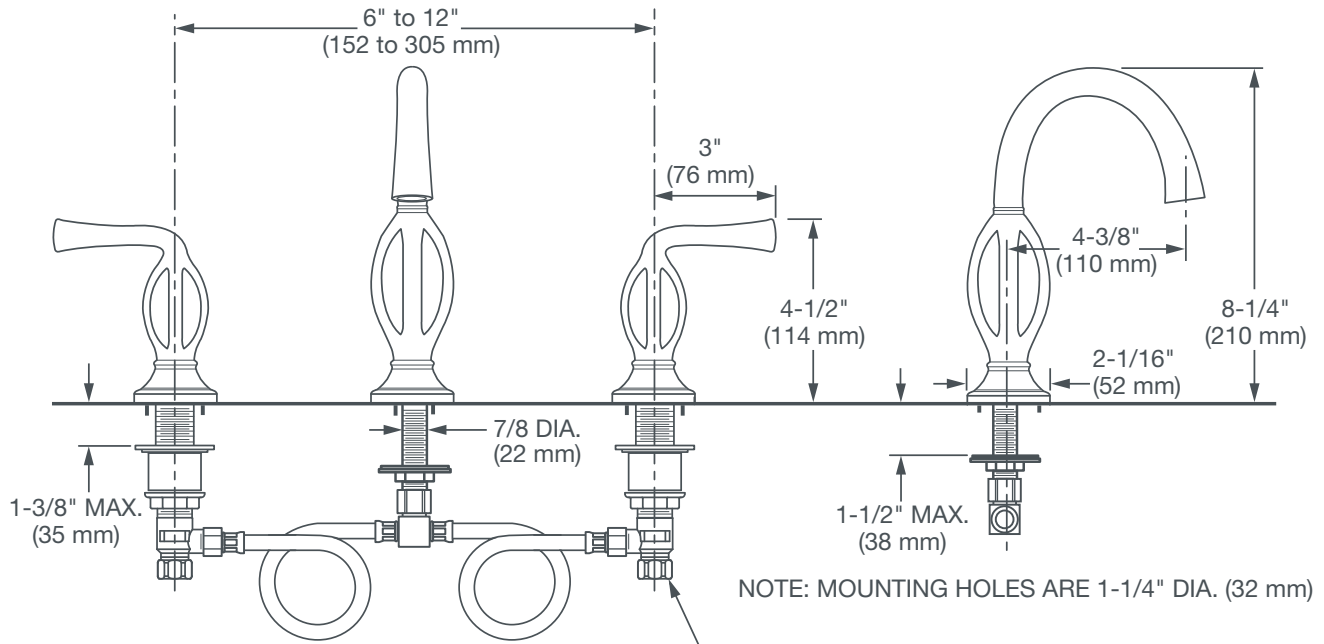
ROUGH-IN DIAGRAM
SHOWN ON NEXT PAGE



Meets the Americans with Disabilities Act
Guidelines and ANSI A117.1 Requirements
for the physically challenged.

TROPE™

WIDESPREAD LAVATORY FAUCET



NOTE: MOUNTING HOLES ARE 1-1/4" DIA. (32 mm)

- CONNECTIONS:
- 1/2" IPS FLEXIBLE SUPPLIES
 - 3/8" O.D. BULL-NOSE RISERS

IMPORTANT: These measurements are subject to change or cancellation. No responsibility is assumed for use of superseded or voided pages.