

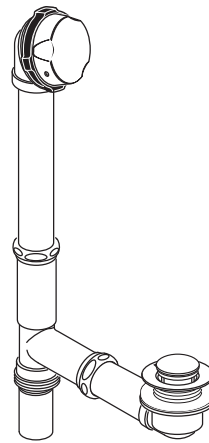
# INSTALLATION INSTRUCTIONS



## DXV Universal Rotary Drain

### Model D1583470 Series

Thank you for selecting DXV. To ensure that your installation proceeds smoothly, please read these instructions carefully before you begin.



#### RECOMMENDED TOOLS AND MATERIALS

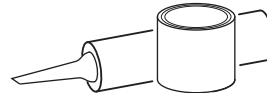
Most of the procedures require the use of common tools and materials, which are available from hardware and plumbing supply stores. It is essential that the tools and materials be on hand before work has begun.



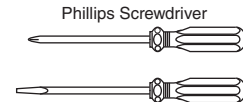
Channel Locks



Adjustable Wrench



Plumbers' Putty or Caulking



Phillips Screwdriver

Regular Screwdriver

#### ROUGHING-IN REFERENCES

OVERFLOW GASKET  
CAN BE ROTATED TO  
FIT BATH

"A"  
DIM.

MODEL #	DESCRIPTION	A DIM.	B DIM.	HOLE #
D12015328.415	Aqua Moment™ Drop-In Airbath	18-3/4"	7-5/8"	4
D12460002.415 •	Hawkins Alcove Tub — LHO	15-1/2"	7-1/8"	3
D12461002.415 •	Hawkins Alcove Tub — RHO	15-1/2"	7-1/8"	3

• Overflow Tube Must Be Cut From 14" to 11-1/2"

COTTER PIN  
HOLE No.

1

2

3

4

5

TUB WALL

SEALANT BETWEEN TUB WALL  
AND DRAIN PLUG

APPLY THREAD SEALANT  
ON TAILPIECE THREADS  
BEFORE ASSEMBLY.

"B" DIM.

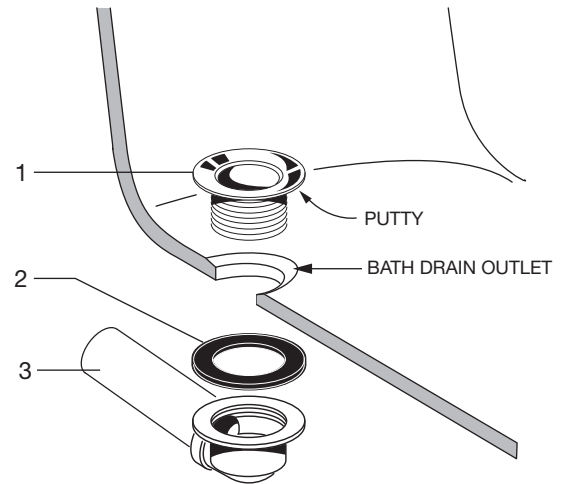
MAX DIMENSION: 10-1/4"\*\*\*\*  
(269 mm)

CUT-AWAY VIEW OF DRAIN

S  
A  
V  
E  
  
F  
O  
R  
  
F  
U  
T  
U  
R  
E  
  
U  
S  
E

## 1 INSTALL DRAIN PLUG AND ELL

- Apply putty to underside of DRAIN PLUG (1) and drop into drain opening.
- Slip RUBBER WASHER (2) on from below and thread DRAIN PLUG (1) into DRAIN ELL ASSEMBLY (3).



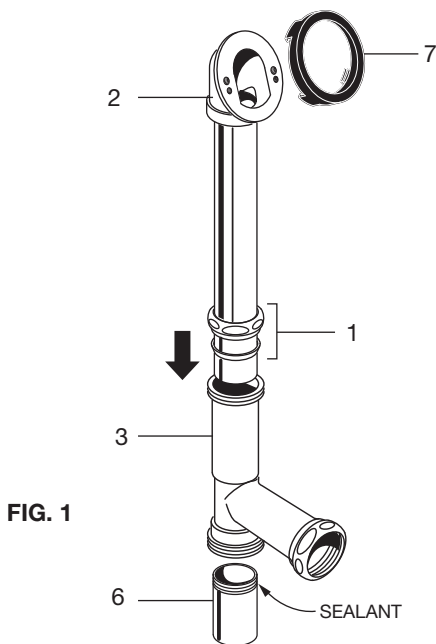
**NOTE:** TUB IS SHOWN CUT AWAY FOR CLARITY OF INSTALLATION.

## 2 INSTALL OVERFLOW ASSEMBLY AND DRAIN TEE

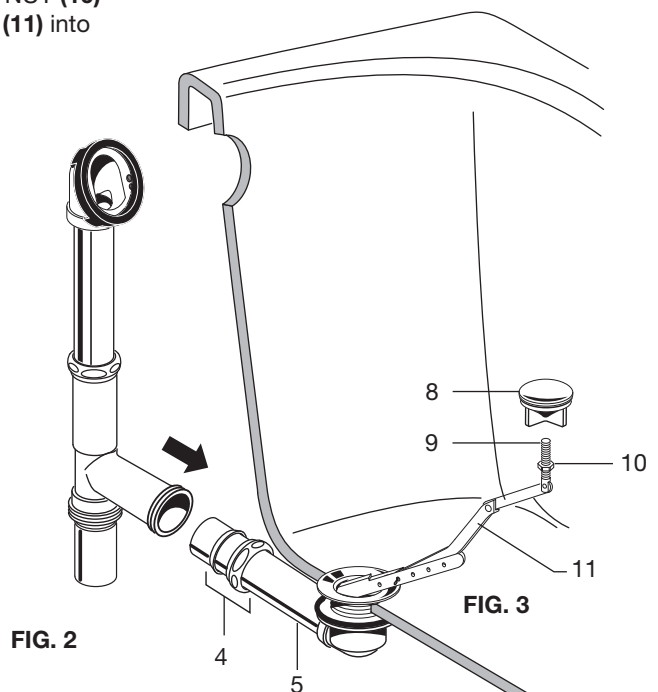
- Loosen SLIP JOINT NUT & SEAL (1) and install onto OVERFLOW TUBE (2). Install OVERFLOW TUBE ASSEMBLY (2) into the appropriate leg of the DRAIN TEE (3). Apply sealant to threads of TAILPIECE (6) and thread into DRAIN TEE (3). Install OVERFLOW GASKET (7) to OVERFLOW TUBE ASSEMBLY (2). (Adjust OVERFLOW GASKET (7) to contour of tub. **FIG. 1.**
- Loosen SLIP JOINT NUT & SEAL (4) and install onto DRAIN ELL ASSEMBLY (5). Install DRAIN ELL ASSEMBLY (5) into the horizontal leg of the DRAIN TEE (3). **FIG. 2.**

**NOTE:** Use the guide on Page 2 of this instruction to adjust the rocker assembly to the proper length according to model tub and drain. (See Dimension B)

- Install DRAIN STOPPER (8) onto ROCKER STUD (9) and tighten NUT (10) to secure the DRAIN STOPPER (8). Install ROCKER ASSEMBLY (11) into DRAIN ELL ASSEMBLY (5). **FIG. 3.**



**FIG. 1**



**FIG. 2**

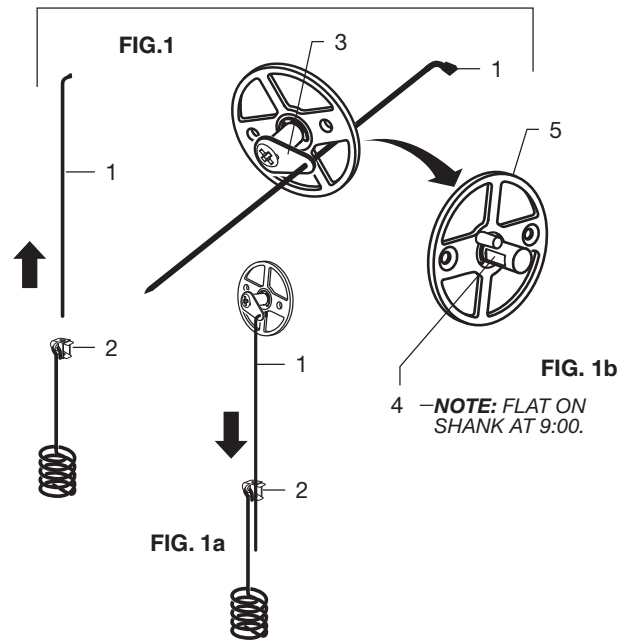
**FIG. 3**

**NOTE:** TUB IS SHOWN CUT AWAY FOR CLARITY OF INSTALLATION.

### 3 PREPARE UPPER LINKAGE ASSEMBLY

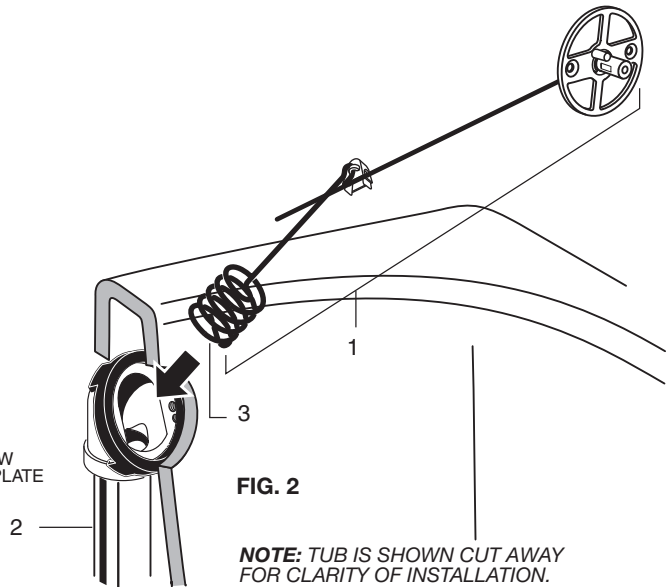
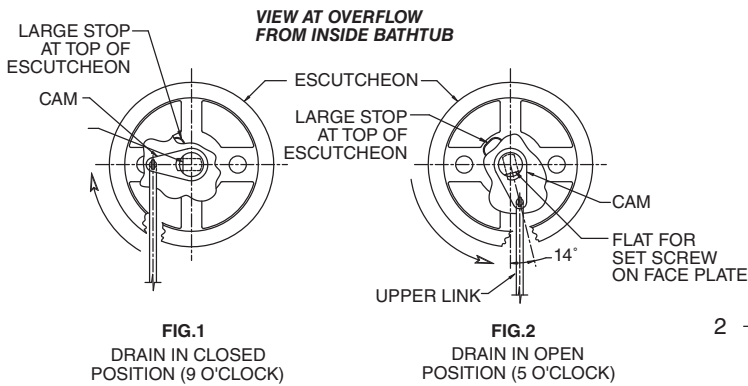
- Remove the UPPER LINK (1) from the SPRING CLIP (2) and slide the pointed end through the small hole in the CAM (3). **Fig. 1.**
- Re-insert the upper link into the spring clip. **Fig 1a.** Rotate the SHANK (4) on the ESCUTCHEON (5) so that the flat area on the SHANK (4) is at the 9 o'clock position. **Fig. 1b.** The drain will be in the closed position.

**NOTE;** Adjust the linkage length by using the guide on Page 1. (See Dimension A). This information is provided as an approximate dimension, as your tub may vary slightly.



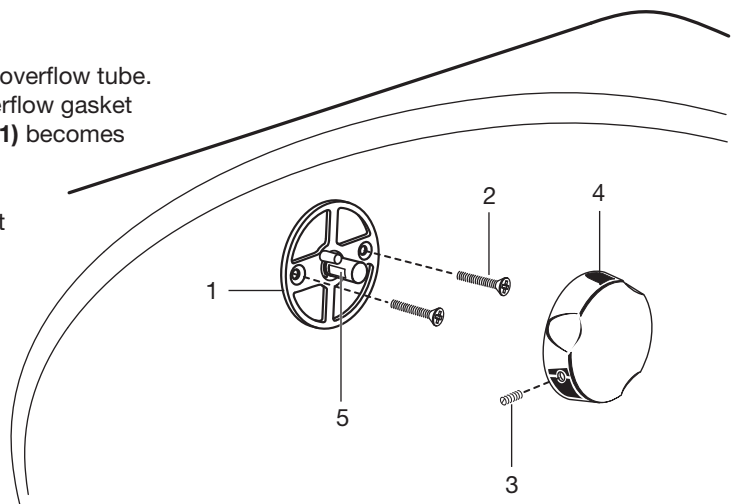
### 4 INSTALL UPPER LINKAGE ASSEMBLY

- Slide the LINKAGE/ESCUTCHEON ASSEMBLY (1) into the OVERFLOW (2). The bottom of the STRIKER (3) will rest on the rocker assembly.



### 5 SECURE ESCUTCHEON AND FACE PLATE

- Align the holes in the ESCUTCHEON (1) with those in the overflow tube. Tighten SCREWS (2) snugly (do not over tighten). The overflow gasket (behind tub wall) will begin to seal as the ESCUTCHEON (1) becomes tighter. The overflow gasket can be rotated for desired fit.
- Align the SET SCREW (3) in the FACE PLATE (4) to the flat spot on the SHANK (5) and tighten. Adjust the stopper on the rocker assembly so that the stopper rises approximately 3/8" in the open position.
- When you are satisfied with the overall fit of the drain, go back and tighten all joints to –make a water tight seal.

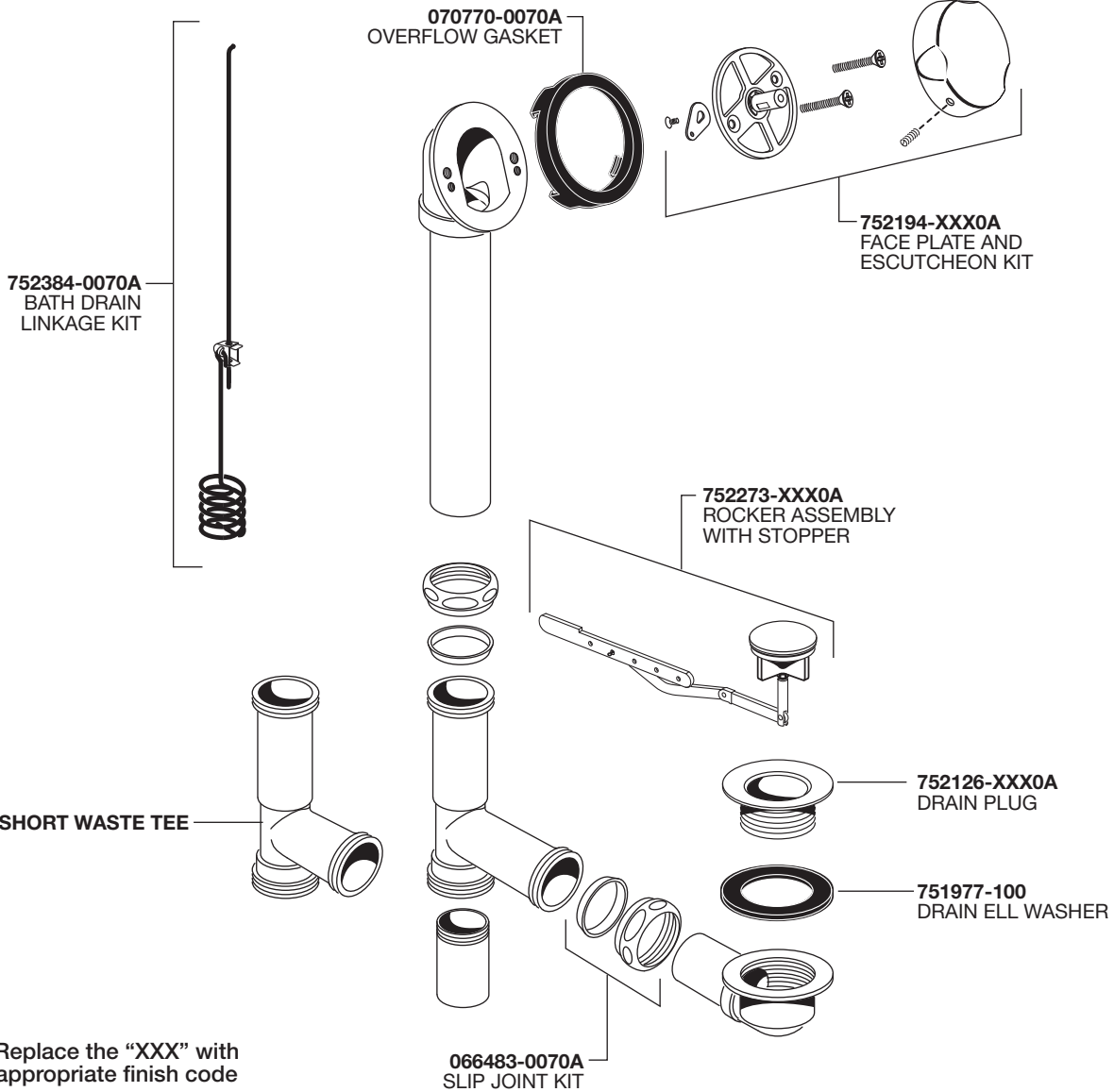




# Universal Rotary Drain

MODEL NUMBER

**D1583470.XXX**



Replace the "XXX" with appropriate finish code

POLISHED CHROME	002
BRUSHED NICKEL	295

**In the United States:**

DXV  
One Centennial Avenue  
Piscataway, New Jersey 08855  
Attention: Director of Customer Care

For residents of the United States, warranty information may also be obtained by calling the following toll free number: (800) 227-2734  
[www.DXV.com](http://www.DXV.com)

**In Canada:**

DXV  
5900 Avebury Road  
Mississauga, Ontario  
L5R 3M3  
Canada

Toll Free: 1-800-387-0369  
Local: 905-306-1093  
Fax: 1-800-395-1498

**In Mexico:**

DXV  
Via Morelos 330  
Col. Santa Clara Coatitla  
Ecatepec, Estado de México 55540

Toll Free: 01-800-8391200  
[www.DXV.mx](http://www.DXV.mx)