



see what Delta can doSM

KITCHEN FAUCETS

- Mateo[®] Collection
- Single Handle Pull-Down

FEATURES:

- DIAMOND Seal[®] Technology
- MagnaTite[®] Magnetic Docking
- Touch-Clean[®] Sprayhead
- ShieldSpray[™] Technology (Kitchen Models Only)

STANDARD SPECIFICATIONS:

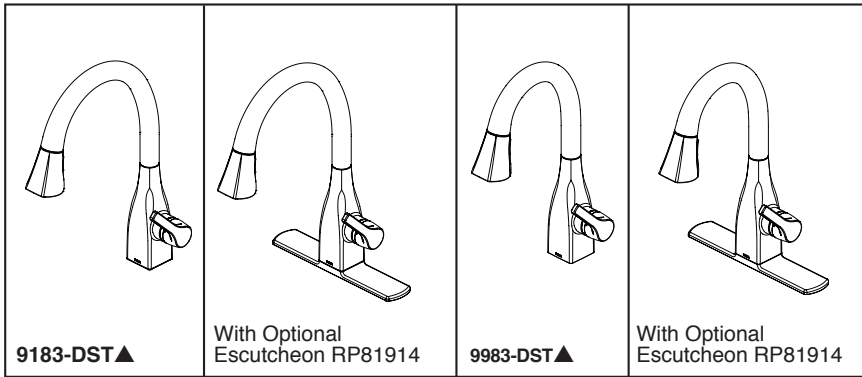
- Maximum 1.8 gpm @ 60 psi, 6.8 L/min @ 414 kPa
- One or three hole mount (Escutcheon optional, not included)
- Diamond coated ceramic cartridge
- 3/8" O.D. straight, staggered PEX supply lines
- Rotating spout
- Red/Blue indicator markings
- Three-function wand; Aerated stream, spray or ShieldSpray[™] (Kitchen models only)
- Two-function wand; Aerated stream or spray (Bar/Prep models only)
- Dual integral check valves in sprayer

WARRANTY

- Parts and Finish - Lifetime limited warranty; or for commercial purchasers, 10 years for multi-family residential (apartments and condominiums) and 5 years for all other commercial uses, in each case from the date of purchase.
- Electronic Parts and Batteries (if applicable) - 5 years from the date of purchase; or for commercial purchasers, 1 year from the date of purchase. No warranty is provided on batteries.

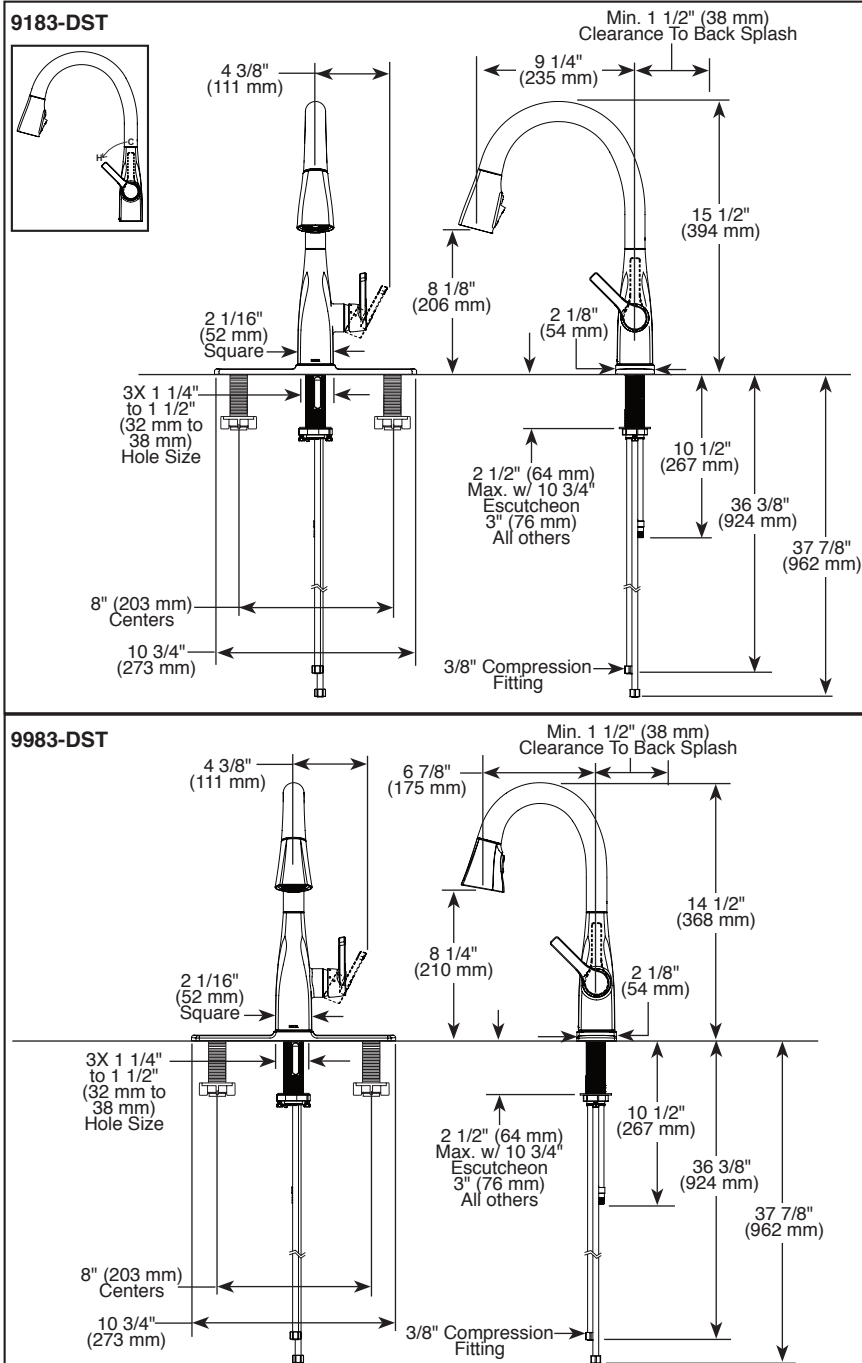
COMPLIES WITH:

- ASME A112.18.1 / CSA B125.1
- ASME A112.18.6
- ♿ Indicates compliance to ICC/ANSI A117.1 - Valve control only



Submitted Model No.: _____

Specific Features: _____



▲ Designate proper finish suffix

Delta reserves the right (1) to make changes in specifications and materials, and (2) to change or discontinue models, both without notice or obligation. Dimensions are for reference only. See current full-line price book or www.deltafaucet.com for finish options and product availability.

DSP-K-9183-DST Rev. D

Delta Faucet Company

55 E 111th Street, Indianapolis, Indiana 46280
 350 South Edgeware Road, St. Thomas, ON N5P 4L1
 © 2021 Delta Faucet Company