



# HOSPITALITY HEAVY-DUTY PLASTIC TOILET SEAT

MODEL #

COLOR #

## 7900TDGSL

### DESCRIPTION:

Closed front with cover, elongated, heavy-duty, injection molded solid plastic toilet seat. Features four molded-in bumpers, color-matched Whisper•Close® check hinges with non-corrosive 300 Series stainless steel posts and STA-TITE® Commercial Fastening System™. Seat contains DuraGuard® Antimicrobial\* Built-in Seat Protection™. This seat complies with IAPMO/ANSI Z124.5-2013 Plastic Toilet Seats as a class Commercial Heavy Duty.

\* DuraGuard® Antimicrobial does not protect users against bacteria, viruses, or other disease organisms. Always clean and wash this product thoroughly before and after each use.

### SPECIFICATIONS:

Size:	Elongated
Material:	Plastic
Style:	Closed Front with Cover
Bumpers:	Four
Hinges:	Plastic Whisper•Close® with 300 Series Stainless Steel Posts
Fastening System:	STA-TITE® Commercial Fastening System™

### FEATURES:

Whisper•Close®

STA-TITE® Commercial Fastening System™

DuraGuard® Antimicrobial Built-in Seat Protection™

Non-Corrosive 300 Series Stainless Steel Posts

### DIMENSIONS:



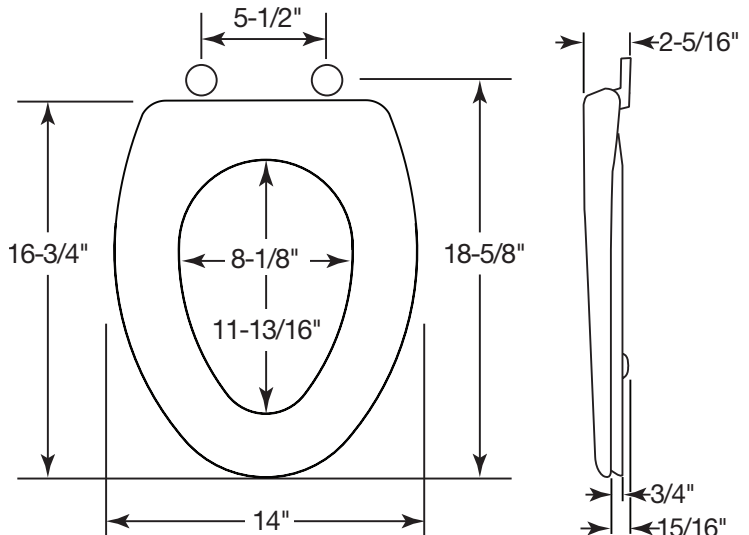
WHISPER•CLOSE®  
FEATURE



PLASTIC WHISPER•CLOSE®  
HINGES WITH STAINLESS  
STEEL POSTS



STA-TITE® COMMERCIAL  
FASTENING SYSTEM™



Proudly Made in the USA

Church Seats, Sheboygan Falls, WI 53085  
www.ToiletSeats.com

Phone: 800-233-7328 Fax: 800-292-3647