



California Faucets®

Descanso® Works

Bridge Kitchen Faucet

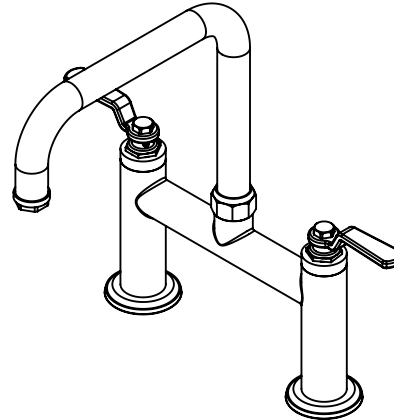
Features

- 25+ artisanal finishes including 12 PVD finishes
- All brass construction
- Spout rotates 360°
- 2-hole deck mount installation
- Flexible braided hoses for ease of installation
- 1/4 turn ceramic disc cartridge(s)
- 1.8 gpm (6.8 L/min) max flow rate

Codes/Standards Applicable

Product meets or exceeds the following:

- ASME A112.18.1/CSA B125.1
- NSF 61, NSF 372, CEC & DOE
- Commonwealth of MA
- ADA compliant (with lever handles)

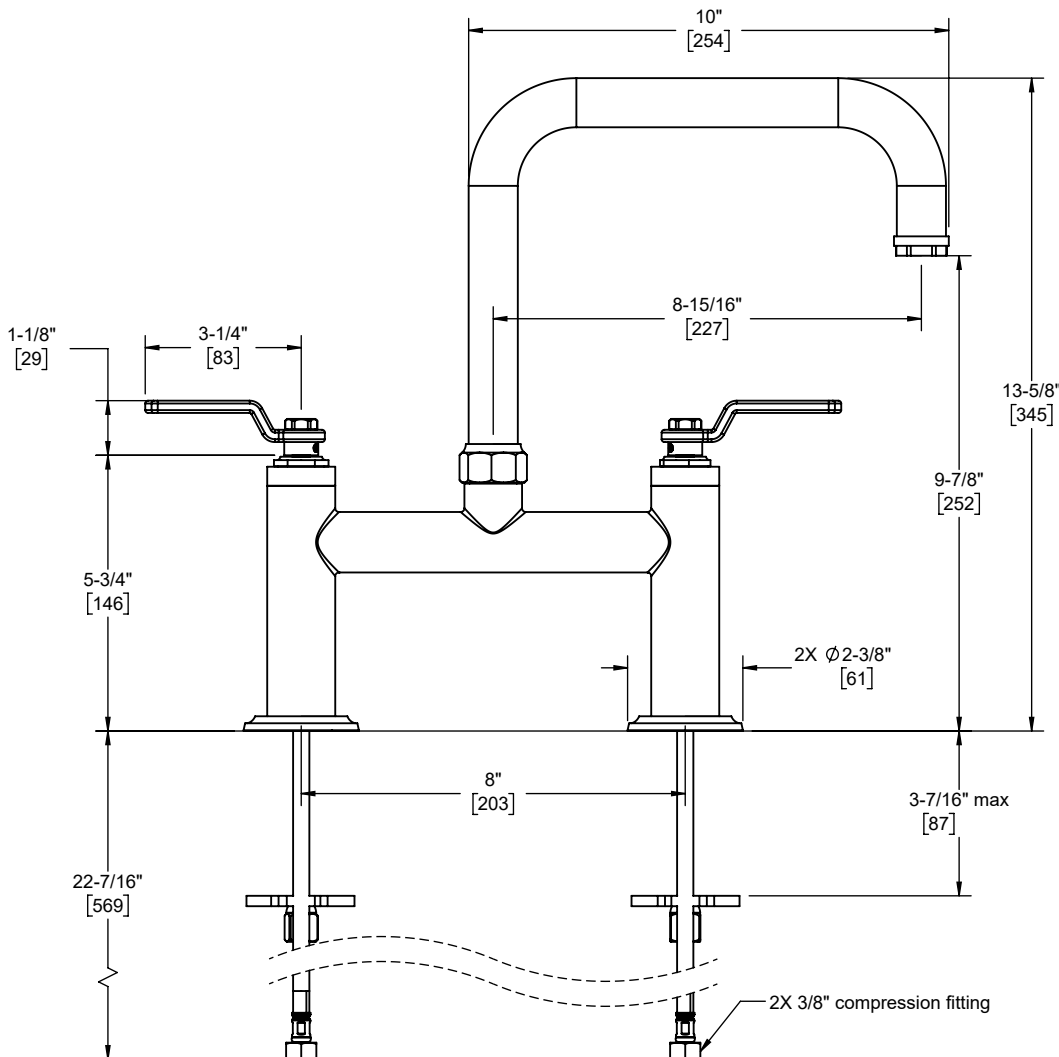


K81-123-BL-ZZ shown

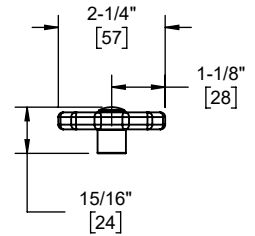
K81-123-BL
K81-123-WH
K81-123-BWH
K81-123-RWH



Through-Hole Specifications			
	Min	Recommended	Max
Faucet:	Ø 1-1/8" [29]	Ø 1-3/8" [35mm]	Ø 1-3/8" [35mm]



K81-123-WH
 K81-123-BWH
 K81-123-RWH



Specifications subject to change without notice

Dimensions are inches, rounded to 1/16"
[Dimensions in brackets are mm, rounded to 1mm]