

California Faucets®

HERMOSA®

TRADITIONAL SINGLE HOLE FLOOR MOUNT TUB FILLER WITH HANDSHOWER

Features

- Available in 28 finishes including 13 PVD finishes
- All brass construction
- No additional wall or trap stabilizer kit required
- Tub filler: Maximum flow rate: 10 gpm (37 L/min) at 60 psi
- Handshower: Flow rate: 2.0 gpm (7.6 L/min) or 1.8 gpm (6.8 L/min)
- Ceramic mixing cartridge
- Handshower holder may be adjusted forward during installation
- Rough valve sold separately (9511)

Codes/Standards Applicable

Product meets or exceeds the following:

- ASME A112.18.1/CSA B125.1
- CEC (1.8 gpm) / DOE (2.0 & 1.8 gpm)
- Commonwealth of MA
- EPA WaterSense handshower (2.0 gpm)
- ADA compliant (with lever handles)
- Local codes may require installation of an upstream tempering valve

1411-XX.20
1411-XX.18



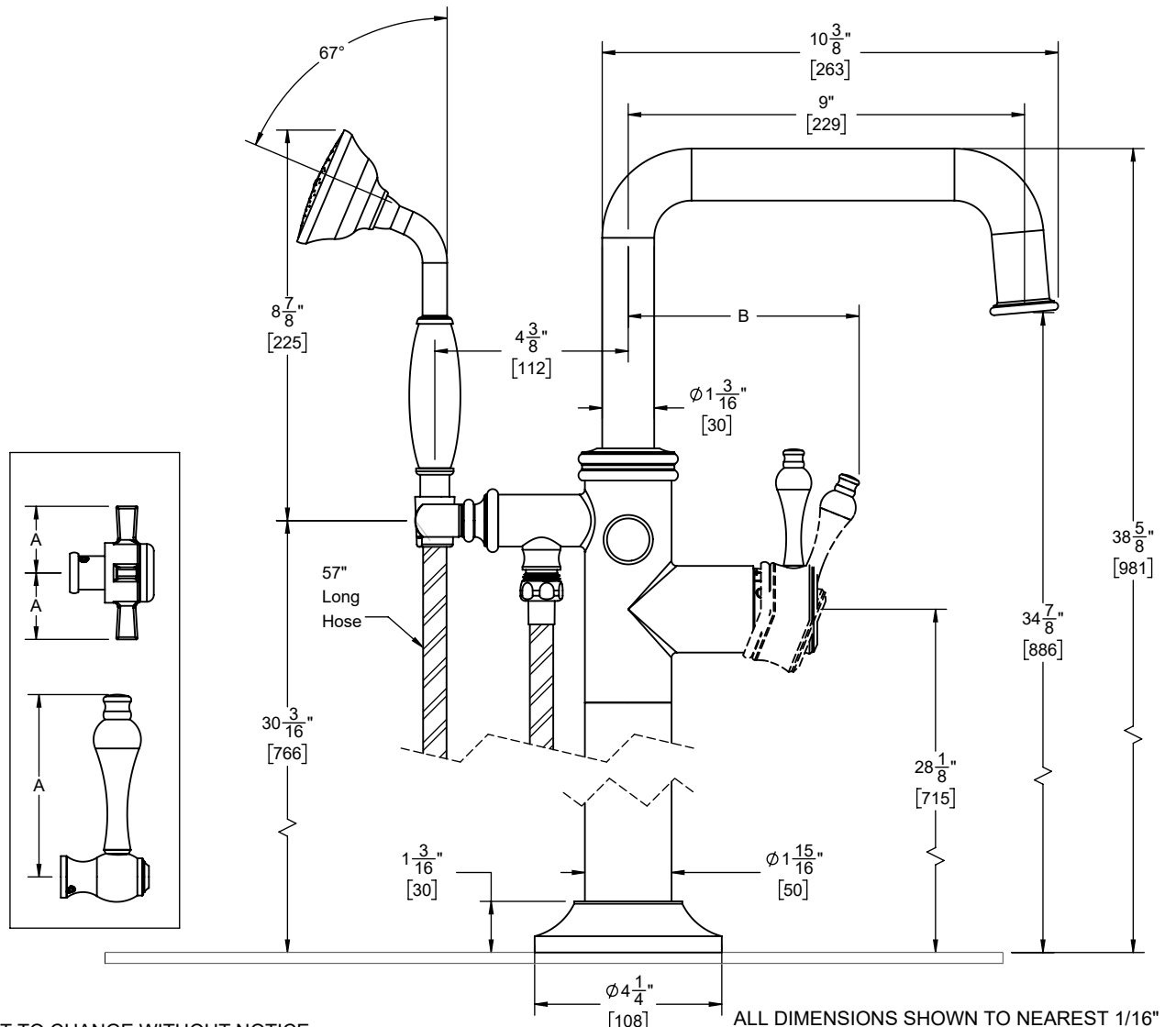
1411-36.FR shown



XX = DENOTES HANDLE SERIES

DIMENSIONS, in./[mm]		
HANDLE OPTIONS	A	B
33	$\frac{15}{32}$ " [100mm]	$\frac{7}{16}$ " [138mm]
35	$\frac{15}{32}$ " [100mm]	$\frac{7}{16}$ " [138mm]
36	$\frac{5}{8}$ " [92mm]	$\frac{3}{8}$ " [136mm]
48	$\frac{11}{16}$ " [94mm]	$\frac{3}{8}$ " [136mm]
55	$\frac{13}{16}$ " [98mm]	$\frac{5}{16}$ " [135mm]
64	$\frac{15}{16}$ " [101mm]	$\frac{5}{16}$ " [136mm]
68	$\frac{13}{16}$ " [97mm]	$\frac{5}{16}$ " [135mm]
CLEV	$\frac{4}{8}$ " [101mm]	$\frac{5}{16}$ " [138mm]
H34	$\frac{1}{8}$ " [29mm]	$\frac{5}{16}$ " [144mm]
H38	$\frac{2}{16}$ " [74mm]	$\frac{13}{16}$ " [173mm]
H42	$\frac{3}{8}$ " [79mm]	$\frac{6}{16}$ " [164mm]
H46	$\frac{7}{16}$ " [87mm]	$\frac{3}{4}$ " [172mm]
H47	$\frac{3}{8}$ " [35mm]	$\frac{5}{16}$ " [142mm]
H48X	$\frac{1}{2}$ " [38mm]	$\frac{5}{2}$ " [140mm]
H59	$\frac{15}{16}$ " [74mm]	$\frac{13}{16}$ " [173mm]
H60	$\frac{3}{8}$ " [35mm]	$\frac{9}{16}$ " [142mm]
H63	$\frac{5}{16}$ " [160mm]	$\frac{15}{16}$ " [152mm]
H67	$\frac{3}{8}$ " [35mm]	$\frac{11}{16}$ " [144mm]
H69	$\frac{1}{2}$ " [89mm]	$\frac{5}{16}$ " [160mm]

THROUGH-HOLE SPECIFICATIONS			
	MIN	RECOMMENDED	MAX
MOUNTING FLANGE:	$\varnothing 3\text{-}11/16$ " [94]	$\varnothing 3\text{-}11/16$ " [94]	$\varnothing 3\text{-}15/16$ " [100]



ALL DIMENSIONS SHOWN TO NEAREST 1/16"
[ALL DIMENSIONS SHOWN TO NEAREST 1MM]

SPECIFICATIONS SUBJECT TO CHANGE WITHOUT NOTICE