

Single Handle Lavatory Wall Faucet Trim Only Installation Instructions

CALIFORNIA FAUCETS RECOMMENDS THAT ALL PLUMBING PRODUCTS BE INSTALLED BY A LICENSED PROFESSIONAL

IMPORTANT: Read all instructions prior to installation and provide copy of instructions to consumer.

Operating Specifications:

Recommended Supply Pressure: 20 to 70 psi*†

Maximum Flow Rate: 1.2 gpm

* Operating pressures between hot and cold supplies should vary no more than 30 psi.

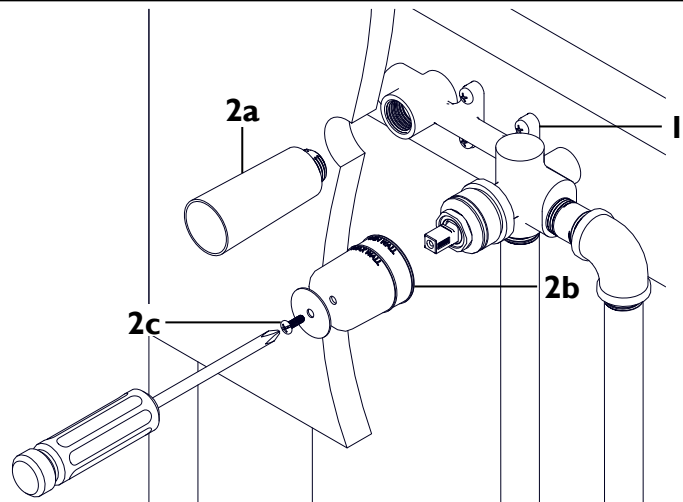
† If water pressure exceeds 70 psi, install a Pressure-Reducing Valve (PRV).

1 REMOVING MUDGUARDS

- Prior to installing faucet trim, in-wall vessel rough VALVE (1) (SHV-R) must be properly installed, and wall surface must be completely finished

NOTE: Recommended spout through-hole size is $\text{Ø}1\text{-}1/4\text{'}$, recommended handle through-hole size is $\text{Ø}1\text{-}3/4\text{'}$

- Remove SPOUT MUDGUARD (2a) from VALVE (1) by turning counterclockwise
- Remove HANDLE MUDGUARD (2b) from VALVE (1) by loosening mudguard SCREW (2c)

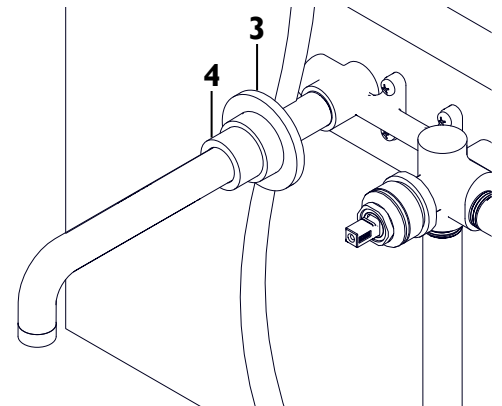
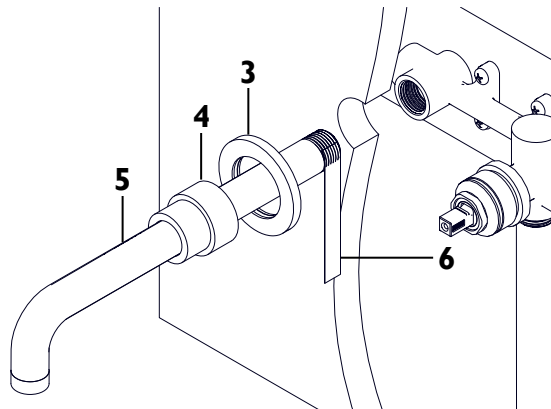


2 INSTALLING SPOUT

- Slide spout RING (3) onto spout ESCUTCHEON (4)
- Slide spout ESCUTCHEON (4) onto SPOUT (5)
- Apply thread SEALANT (6) (not supplied) to threaded end of SPOUT (5) and tighten into left outlet of valve
- If SPOUT (5) is not properly aligned when fully tightened, turn counterclockwise until properly aligned

IMPORTANT: Do not overtighten SPOUT (5)

- Push spout RING (3) and spout ESCUTCHEON (4) firmly against wall

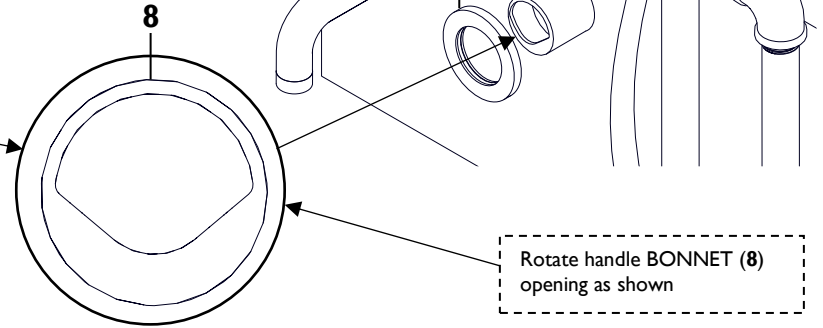


3 INSTALLING HANDLE BASE

- Slide handle RING (7) onto handle BONNET (8)
- Slide handle BONNET (8) onto right side of VALVE (1b) until an audible click sound is heard or felt indicating BONNET (8) is seated onto VALVE (1b)

IMPORTANT: Handle BONNET (8) MUST be in contact with VALVE (1b) for handle to function properly

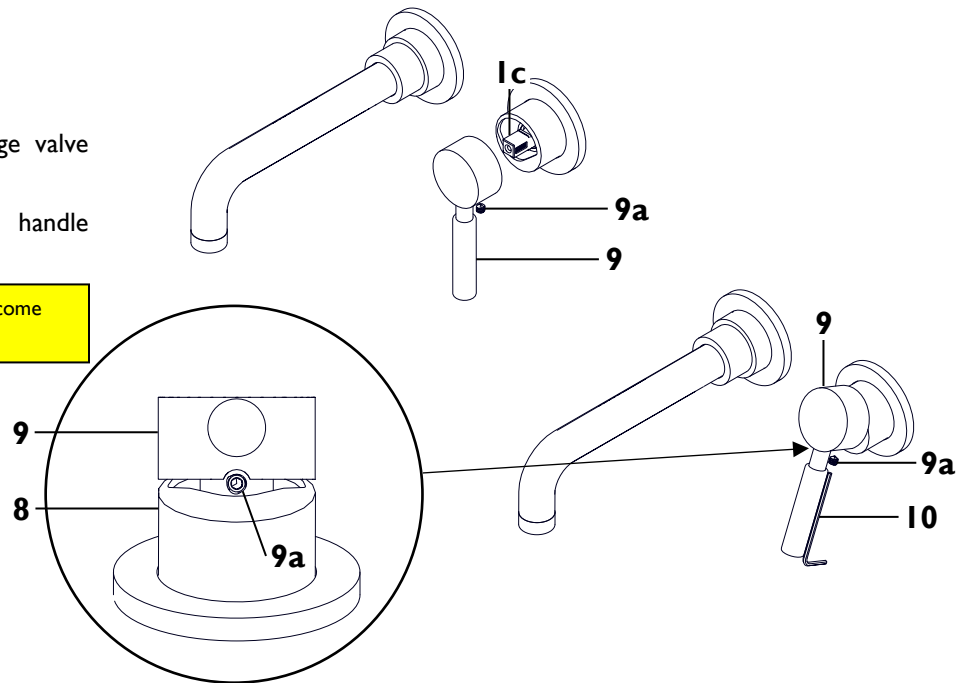
- Confirm proper orientation of handle BONNET (8)
- Push handle RING (7) firmly against wall



4 INSTALLING HANDLE

- Loosen handle SETSCREW (9a)
- Slide HANDLE (9) down onto and engage valve STEM (1c)
- Tilt HANDLE (9) upwards and tighten handle SETSCREW (9b) with ALLEN KEY (10)

IMPORTANT: Water supply must be off, or water will come out of the spout.



5 FINAL CONNECTIONS

- Remove AERATOR (11) using aerator KEY (12) and turn faucet HANDLE (9) to the full-on-mixed position
- Turn on hot and cold water-supplies and flush water lines for one minute

IMPORTANT: This step flushes away any debris that could cause damage to internal parts.

- Re-install AERATOR (11) using aerator KEY (12)
- Check all connections for leaks; re-tighten if necessary

