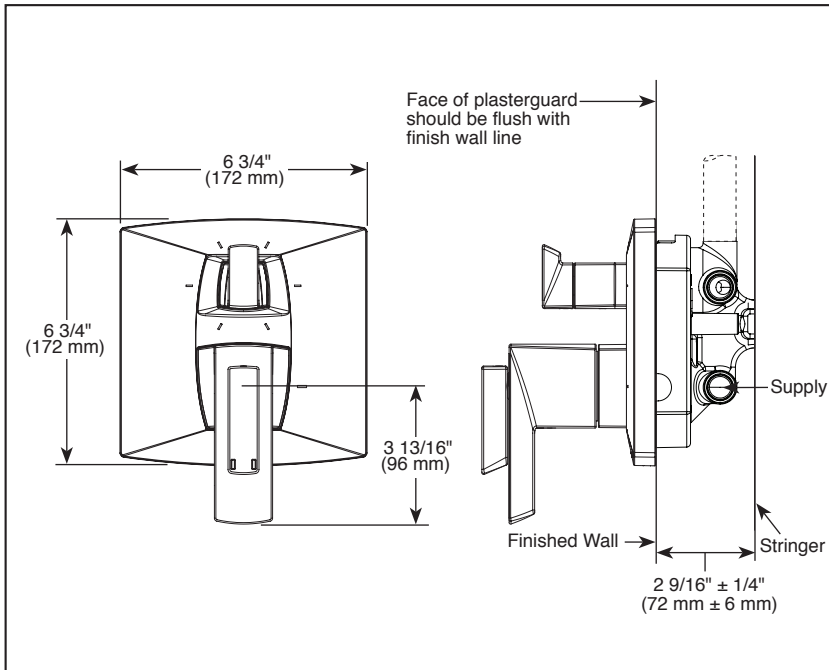
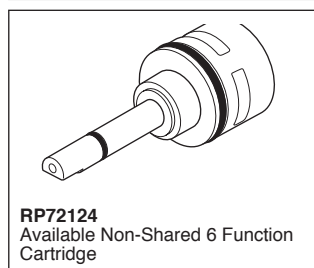
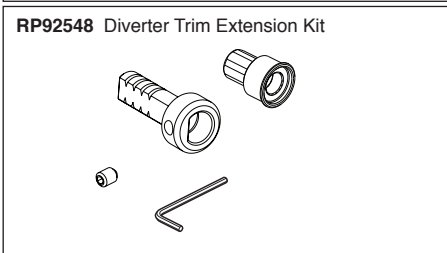
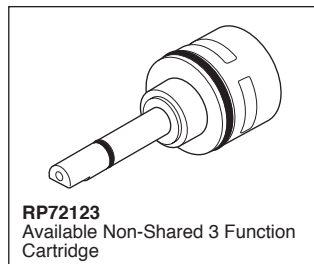
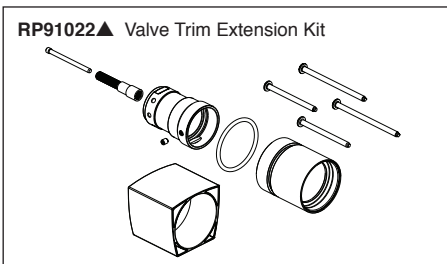


Submitted Model No.: _____

Specific Features: _____



▲ Designate Proper Finish Suffix



BRIZO®

TEMPASSURE® THERMOSTATIC VALVE WITH INTEGRATED DIVERTER TRIM

- Vettis™ Bath Collection
- Valve Trim with Three Function Diverter (T75588)
- Valve Trim with Six Function Diverter (T75688)

FEATURES:

- TempAssure® Thermostatic valve cartridge
- Three or six function diverter

STANDARD SPECIFICATIONS:

- Main control utilizes TempAssure® Thermostatic valve cartridge
- Thermostatic wax element maintains the outlet temperature to ±3.6°F
- For use with MultiChoice® Universal integrated shower diverter rough valve body (R75000 Series)
- Back-to-back installation capability
- Top handle controls diverter functions
- Bottom (2) handles control volume and temperature
- Field adjustable to limit temperature handle rotation into hot water zone
- Bottom volume handle 90° Maximum rotation
- Red/blue temperature indication on handle
- Three function diverter has 2 individual positions and 1 shared position
- For two individual functions, no shared functions, order additional RP72123
- Six function diverter has 3 individual positions and 3 shared positions
- For three individual functions, no shared functions, order additional RP72124
- 1/2" rough-in
- Cartridges included
- Standard installation allows up to 1-1/8" finished wall thickness
- Optional extension kits RP91022▲ and RP92548 can accommodate up to 1" of additional wall thickness. Both RP kits required.

WARRANTY

- Lifetime limited warranty on parts (other than electronic parts and batteries) and finishes; or, for commercial users, for 5 years from date of purchase.
- 5 year limited warranty on electronic parts (other than batteries); or, for commercial users, for 1 year from the date of purchase. No warranty is provided on batteries.

COMPLIES WITH:

- ASME A112.18.1 / CSA B125.1
- ☒ Indicates compliance to ICC/ANSI A117.1

Maximum Flow Rate Guide

Rough	Cartridge	Outlet	40 psi	60 psi	80 psi
R75000	TempAssure® Thermostatic	Shower	5.9 gpm	7.2 gpm	8.3 gpm
R75000-WS	TempAssure® Thermostatic	Shower	5.3 gpm	6.5 gpm	7.4 gpm

Based on 6 Setting Diverter

Brizo Kitchen & Bath Company

55 E. 111th Street, Indianapolis, IN 46280
350 South Edgeware Road, St. Thomas, ON N5P 4L1
© 2018 Brizo Kitchen & Bath Company

Brizo Kitchen & Bath Company reserves the right (1) to make changes in specifications and materials, and (2) to change or discontinue models, both without notice or obligation. Dimensions are for reference only. See current full-line price book or www.brizo.com for finish options and product availability.