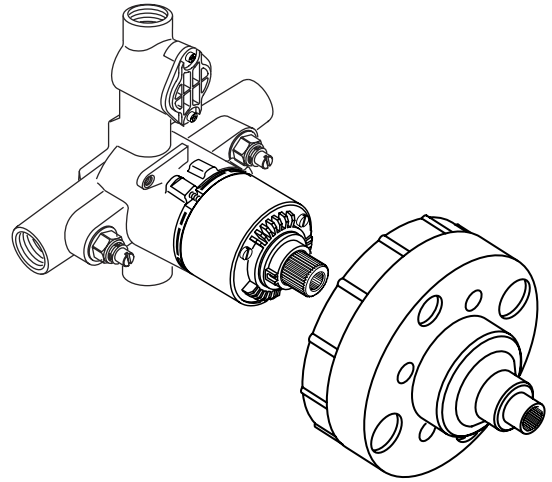


**ROUGH VALVE KIT**

*Thank you for selecting American-Standard...the benchmark of fine quality for over 100 years.*

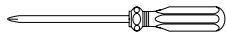
*To ensure that your installation proceeds smoothly—please read these instructions carefully before you begin.*



Certified to comply with ANSI A112.18.1

M968687 REV. 1.1 (2/15)

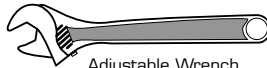
**Recommended Tools**



Phillips Screwdriver



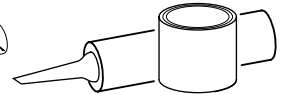
Tubing Cutter



Adjustable Wrench



Channel Locks



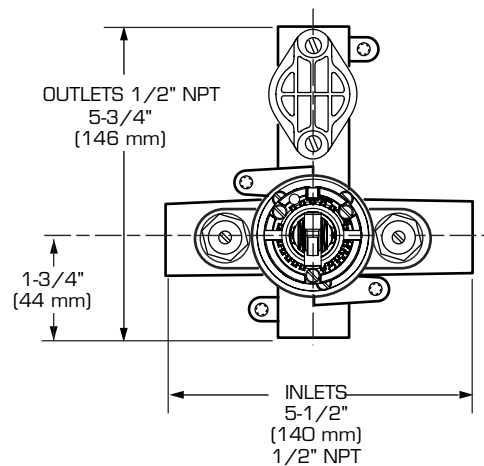
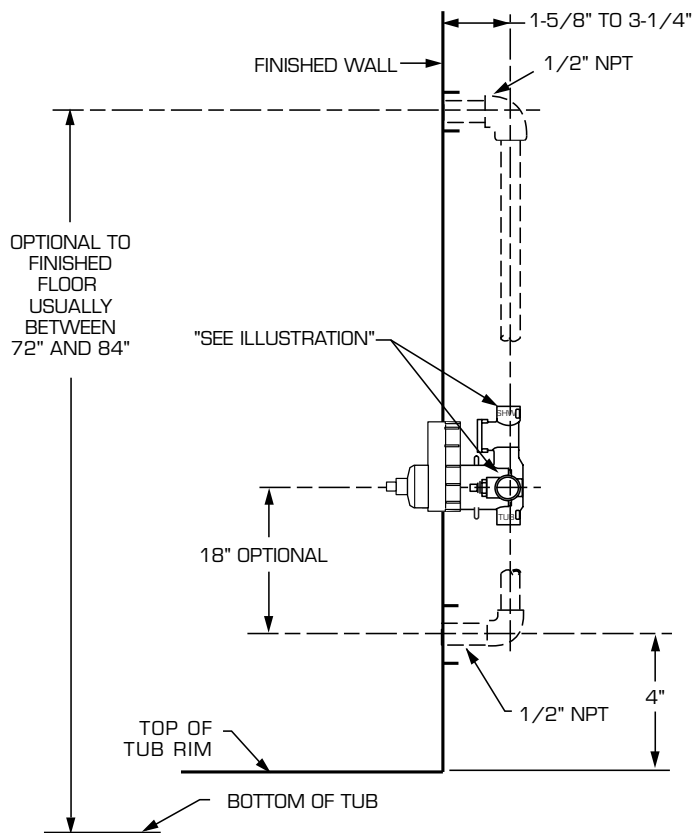
Plumbers' Putty or Caulking



Flat Blade Screwdriver

**ROUGHING-IN DIMENSIONS**

- To assure proper positioning in relation to wall, note roughing-in dimensions.



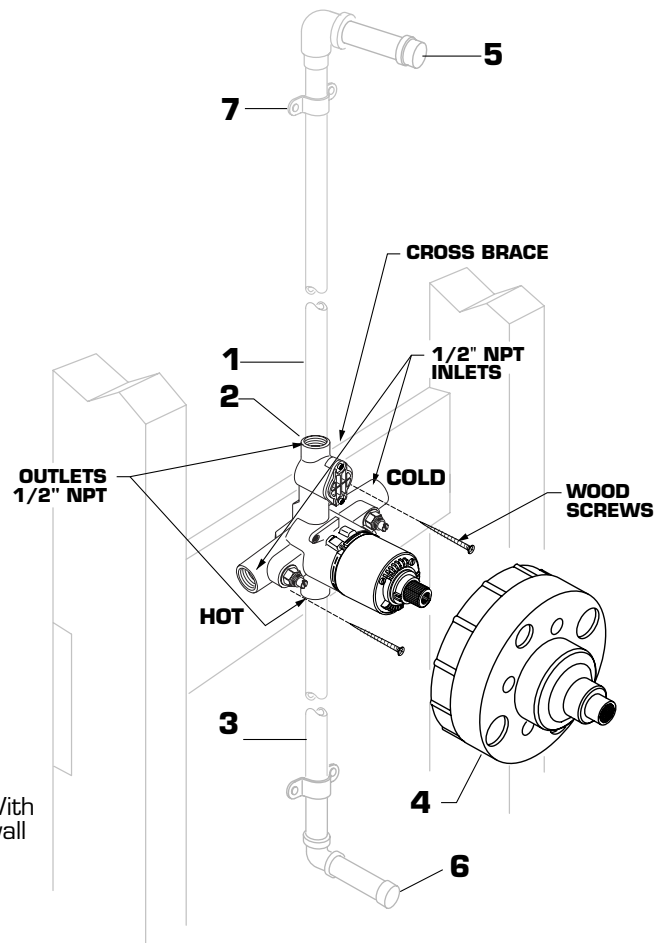
**THREADED  
INLETS (STOPS)**

# 1 ROUGHING-IN

**CAUTION** Turn off water at main supply.

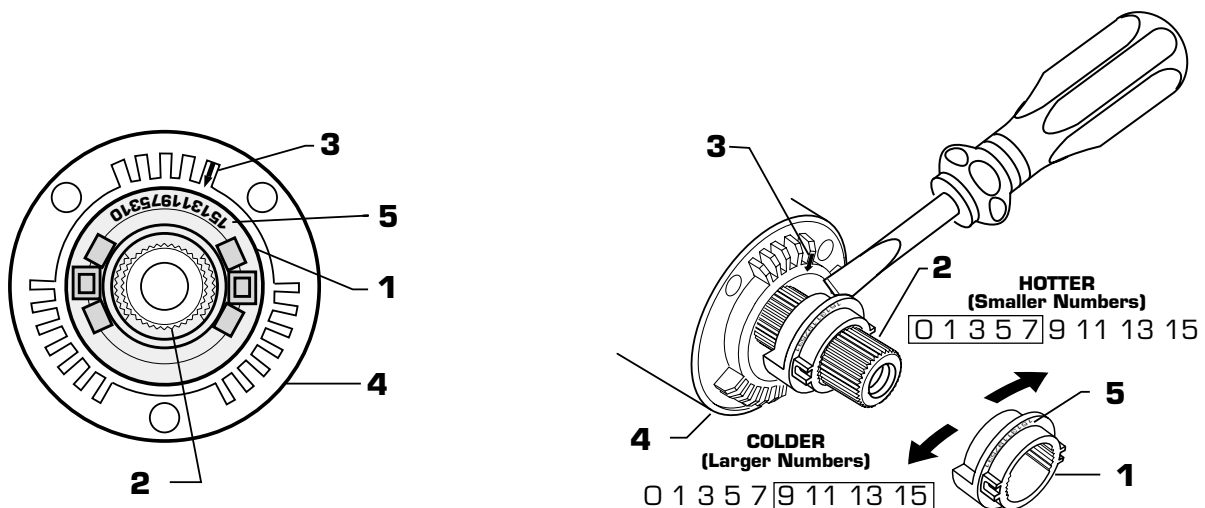
**NOTE** When soldering, remove **PLASTER GUARD, CARTRIDGE** and **PRESSURE BALANCING UNIT**. When finished soldering, flush valve body, replace pressure balancing unit, cartridge and plaster guard to continue installation.

- See Roughing-in diagram before starting. Connections are:
  - 1/2" female NPT for outlets
  - 1/2" female NPT for inlets
- Mount **VALVE BODY (8)** to cross brace with-in wall. Use wood screws to secure **VALVE BODY** to brace.
- Connect **RISER PIPE (1)** to **MANIFOLD (2)** top outlet marked "SHR".
- Connect **TUB FILLER PIPE (3)** at bottom outlet marked "TUB".
- For proper positioning the finished wall must be within side wall of **PLASTER GUARD (4)**. If the valve is installed on a fiberglass or other thin wall application, the **PLASTER GUARD (4)** can be used as a support.
  - Cut a 4" dia. hole in the shower stall.
  - Drill two additional 1" holes to allow access to the stops.
  - Remove **PLASTER GUARD (4)**, rotate 90° so that indicated screw holes fit **MANIFOLD (2)**.
  - Connect hot and cold water supplies.
- Cap off shower pipe **(5)** and tub filler pipe **(6)**.
- For support, use pipe **BRACES (7)** secured to wooden braces. With valve turned off, turn on water supplies. Check for leaks. Finish wall construction.



# 2 ADJUST HOT LIMIT STOP

- By restricting **HANDLE** rotation and limiting the amount of hot water allowed to mix with the cold, the **HOT LIMIT SAFETY STOP (1)** reduces risk of accidental scalding. To set the maximum hot water temperature of your faucet, all you need to do is adjust the setting on the **HOT LIMIT SAFETY STOP (1)**.
- Turn **CARTRIDGE STEM (2)** to the OFF position (coldest setting) before making adjustment to **HOT LIMIT SAFETY STOP (1)**. Use a flat blade screwdriver to pry free the **HOT LIMIT SAFETY STOP (1)**. Pull forward and rotate counterclockwise one number to limit hot water temperature. Use **ARROW (3)** on **CARTRIDGE (4)** and **NUMBERS (5)** on **HOT LIMIT SAFETY STOP (1)** for indication.



### 3 TO GAIN ACCESS TO VALVE FOR SERVICING

- Pull INDEX CAP, unscrew HANDLE SCREW and pull HANDLE off valve stem.
- Remove two SCREWS holding ESCUTCHEON and remove ESCUTCHEON. Remove COVER by pulling straight out.
- Shut off water supply by either closing off main water supply, or closing off the hot and cold CHECK STOPS on valve, if present.

#### VALVE LEAKS WHEN SHUT OFF

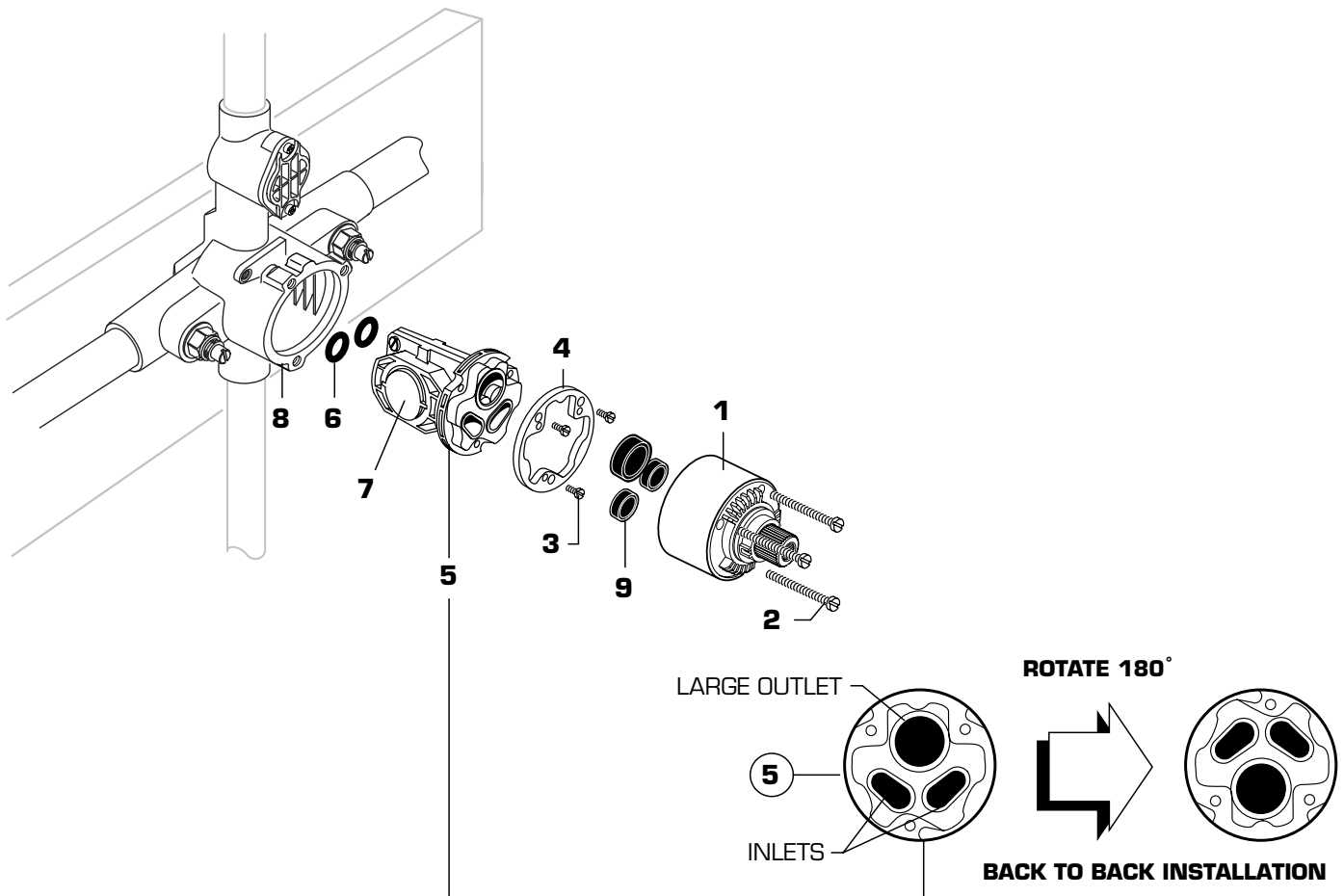
- Remove CARTRIDGE (1) by removing CARTRIDGE SCREWS (2). Remove three SCREWS (3) from FIXATION RING (4) and pull out PRESSURE BALANCING (5) unit.
- Clean SEALS (9) on base of CARTRIDGE (1). Check base of PRESSURE BALANCING UNIT (5) and clean O-RINGS (6). Remove CAPS (7) and check O-RINGS on inside of CAPS (7). Clean inside sealing surfaces of VALVE BODY (8).
- Re-assemble PRESSURE BALANCING UNIT (5) and CARTRIDGE (1). Tighten all screws.
- Turn on water supply and see above for installing TRIM and HANDLE.

#### UNABLE TO MAINTAIN CONSTANT TEMPERATURE

- Remove PRESSURE BALANCE UNIT (5). Remove CAPS (7) and clean valve thoroughly.
- Examine balancing unit and check condition of O-ring on end of piston. Piston should move back and forth. Order Repair Part M952100-0070A if balancing unit is defective.
- Replace CAPS (7) and install PRESSURE BALANCE UNIT (5). Make sure inlets line up with two holes in bottom of casting. Top flange should butt-up against top of casting.

#### BACK TO BACK INSTALLATION

- Remove PRESSURE BALANCE UNIT (5). Rotate PRESSURE BALANCE UNIT (5) 180° so that the inlets face up and the large outlet port faces down.
- Push PRESSURE BALANCE UNIT (5) in casting make sure inlets line up with holes in bottom of casting. Top flange should butt up against top of casting.
- Reassemble FIXATION RING (4) and CARTRIDGE (1).

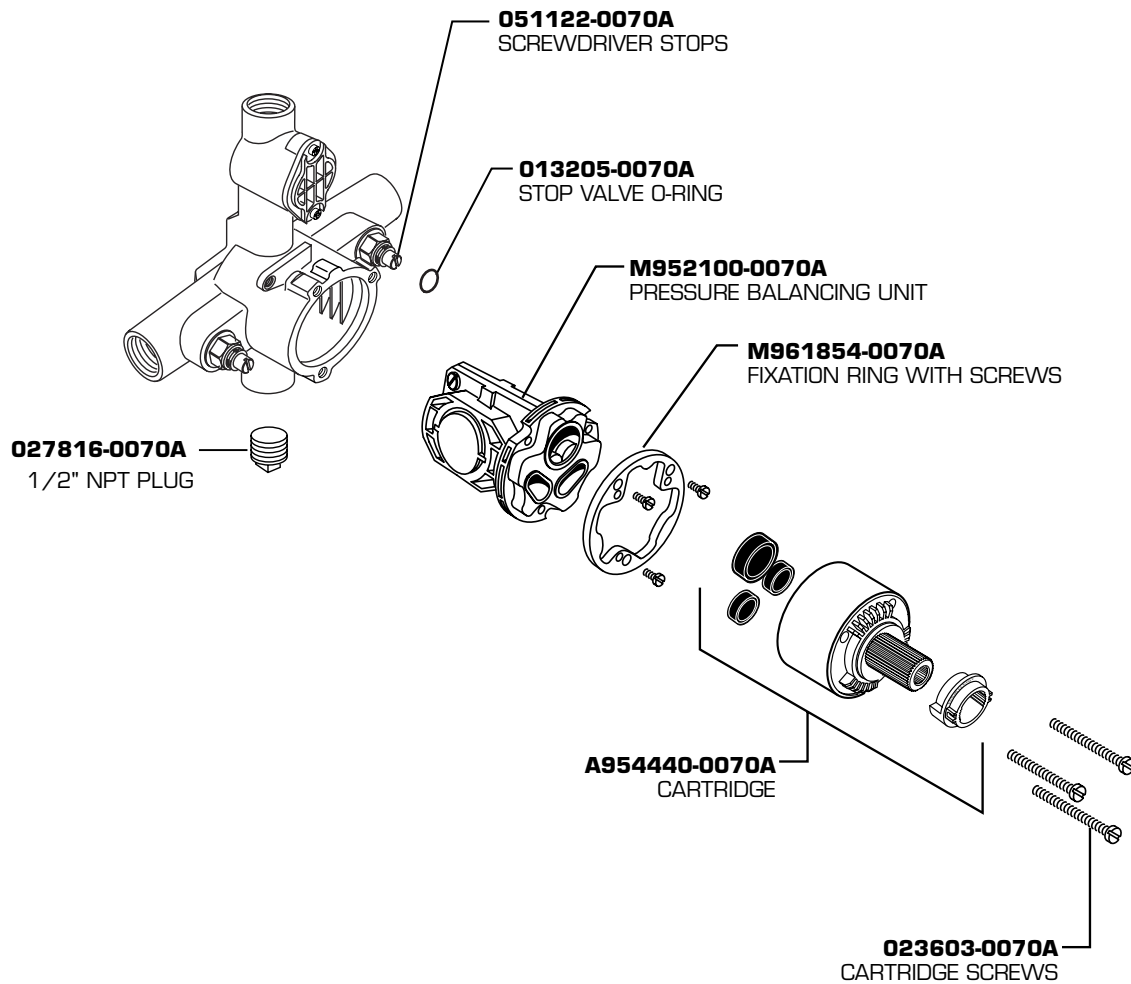


# ROUGH VALVE KIT

## PRESSURE BALANCE TEMPERATURE CONTROL VALVE

MODEL NUMBER

**R116SS**



HOT LINE FOR HELP  
For toll-free information and answers to your questions, call:  
1 (800) 442-1902  
Weekdays 8:00 a.m. to 6:00 p.m. EST  
IN MEXICO 01-800-839-1200  
IN CANADA 1-800-387-0369 (TORONTO 1-905-306-1093)  
Weekdays 8:00 a.m. to 7:00 p.m. EST

Product names listed herein are trademarks of American Standard Inc.  
© American Standard Inc. 2007